



# FOTON 30

## Automatic Laminator



### **start here**

starten sie hier  
démarrez ici  
iniziare qui  
empieza aquí

### begin hier

start her  
start her  
börja här  
aloita tästä



<b>English</b>	<b>3</b>
<b>Deutsche</b>	<b>15</b>
<b>Français</b>	<b>27</b>
<b>Italiano</b>	<b>39</b>
<b>Español</b>	<b>51</b>
<b>Nederlands</b>	<b>63</b>
<b>Svenska</b>	<b>75</b>
<b>Dansk</b>	<b>87</b>
<b>Norsk</b>	<b>99</b>
<b>Suomalainen</b>	<b>111</b>





<b>Quick Start Guide</b>	<b>4</b>
<b>Controls</b>	<b>5</b>
<b>Specification</b>	<b>5</b>
<b>Installation</b>	<b>6</b>
<b>Feature Guide</b>	<b>7</b>
<b>Operation</b>	<b>9</b>
<b>Troubleshooting</b>	<b>11</b>
<b>Safety</b>	<b>13</b>



MODE	Feed Cut	
	Auto	Auto
	Manual	Auto

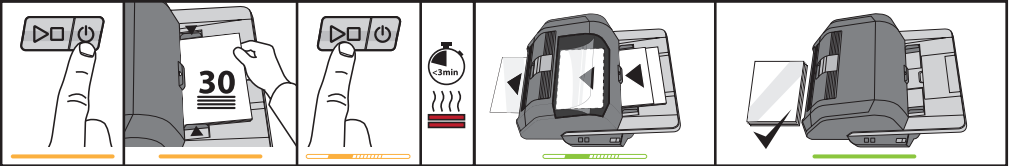
≤120gsm

<

**30**

A3/A4

Auto Feed / Auto Cut Mode



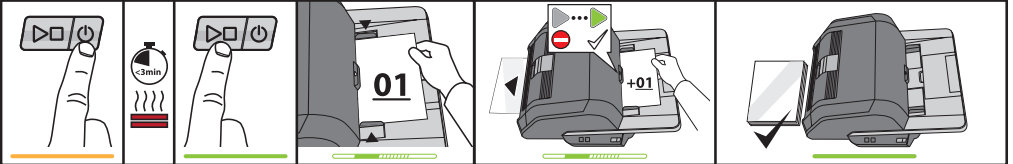
MODE	Feed Cut	
	Auto	Auto
	Manual	Auto

≥120gsm

**01**

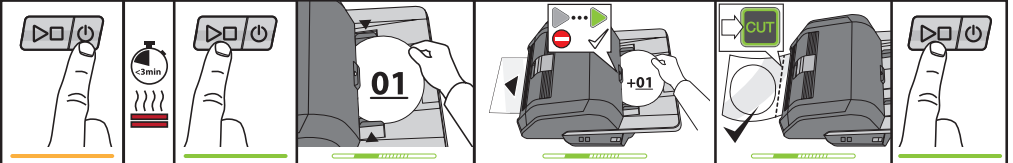
A3/A4

Manual Feed / Auto Cut Mode








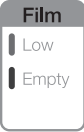

MODE	Feed Cut	
	Auto	Auto
	Manual	Auto

Manual Feed / Manual Cut Mode





## CONTROLS

 <p>Run/Stop Power</p>	<p><b>Power:</b> turns on unit and begins warming process, press again to turn off.</p> <p><b>Run/Stop:</b> Starts and stops lamination</p>
	<p><b>Mode:</b> Press to cycle through operation modes.</p>
 <p>Status</p>	<p><b>Status indicator:</b> used to indicate Warming, Ready, Running, and Error states.</p>
	<p><b>Manual Feed Ready indicator:</b> used to indicate when to insert document in manual feed modes</p>
	<p><b>Activates Cutter:</b> press while in Manual Feed / Manual Cut Mode to separate documents. <b>Important! Verify completed document before use</b></p>
	<p><b>Film Status:</b> <i>Low</i> indicates approx. 30 documents remaining. <i>Empty</i> indicates cartridge must be replaced to continue</p>
	<p><b>Error States:</b> <i>Door</i> indicates a door is ajar. <i>Jam</i> indicates a document jam. <i>Cutter</i> indicates a cutter error</p>

## Service

To register and activate the warranty go to [www.gbceurope.com](http://www.gbceurope.com)

For details of your local service representative go to [www.gbceurope.com](http://www.gbceurope.com)



Products marked with this symbol meet all applicable Community regulations for the European Economic Area.



Only use the laminator in indoor areas.

## SPECIFICATIONS

<p><b>Model</b></p>	<p>FOTON 30</p>
<p><b>Operating Speed</b></p>	<p>75 microns: 700mm/min 100 microns: 670mm/min 125 microns: 650mm/min</p>
<p><b>Operating Modes</b></p>	<p>Auto Feed / Auto Cut Manual Feed / Auto Cut Manual Feed / Manual Cut</p>
<p><b>Warm-Up Time</b></p>	<p>75 microns: 3 minutes 100 microns: 3.5 minutes 125 microns: 4 minutes</p>
<p><b>Maximum Feed Capacity</b></p>	<p>30 sheets (80gsm paper)</p>
<p><b>Maximum Film Width</b></p>	<p>306mm</p>
<p><b>Maximum Document Thickness</b></p>	<p>250gsm (Manually Fed)</p>
<p><b>Document Lengths Supported</b> <b>Document Widths Supported</b></p>	<p>Minimum: 152mm Maximum: 432mm  Minimum: 127mm Maximum: 297mm</p>
<p><b>Auto Feeder Media Weight</b>  <b>Manual Feeder Media Weight</b></p>	<p>High Reliability: 64-120gsm Variable Reliability: 121-220gsm  64-250gsm</p>
<p><b>Dimensions</b> • Width • Height • Depth • Weight</p>	<p>Machine 57.7cm 24.5cm 47.8cm 9.5kgs</p>
<p><b>Auto Shut-Off</b></p>	<p>After 15 minutes of inactivity</p>
<p><b>Electrical Requirements</b></p>	<p>220-240V, 50/60Hz</p>
<p><b>Fuse</b></p>	<p>Yes (internal &amp; non-replaceable)</p>
<p><b>Operating Environment</b></p>	<p>5-35C Maximum Altitude of 2,000m</p>

## INSTALLATION

### Service



**WARNING:** Do not attempt to service or repair the laminator. Failure to observe this warning could result in severe personal injury or death.

Disconnect the plug from the socket and contact Customer Service when one or more of the following has occurred.

- The power supply cord or attachment plug is damaged.
- Liquid has been spilled into the laminator.
- The laminator is malfunctioning after being mishandled.
- The laminator does not operate as described in these instructions.

### Installation

- Shipping damage should be brought to the immediate attention of the delivering carrier.
- Place the laminator on a stable flat surface capable of supporting 23kg.
- The surface should be at least 0.75m high to assure comfortable positioning during operation. All four rubber feet should be on the supporting surface.
- Connect power cord to an appropriate power source. Avoid connecting other equipment to the same branch circuit to which the laminator is connected as this may cause nuisance tripping of the circuit breaker or blown fuses.
- The laminator should be positioned to allow exiting film to drop freely to a flat surface. Accumulation of laminated documents as they exit the laminator may cause a jam.
- Avoid placing laminator near sources of heat or cold. Avoid locating the laminator in the direct path of forced, heated or cooled air.

### Caring for your Foton 30

The only maintenance required by the operator is to periodically clean the rollers. Keeping the rollers clean ensures that your finished items will not be damaged by dirt and adhesive build-ups.



**CAUTION:** the following procedure is performed while the laminator is hot. Use extreme caution.



**WARNING:** Do not apply cleaning fluids or solvents to the rollers.



**WARNING:** Do not attempt to laminate adhesives marked 'Flammable'.



**WARNING:** Do not expose laminator to liquids.

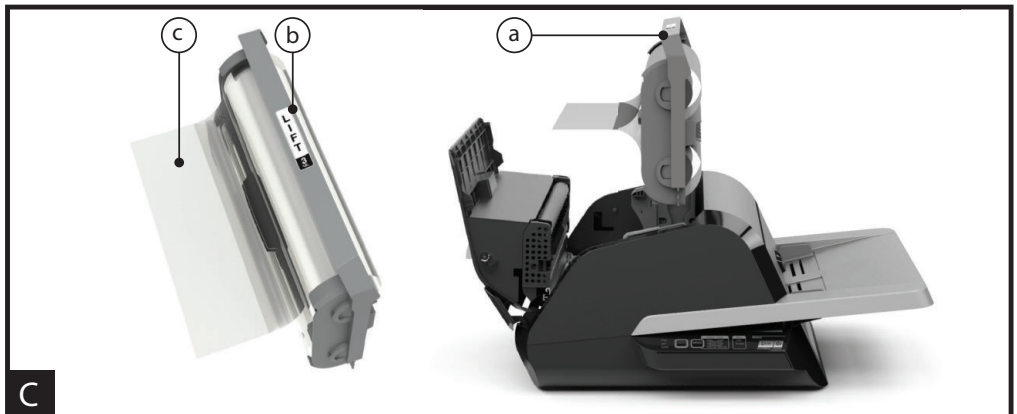
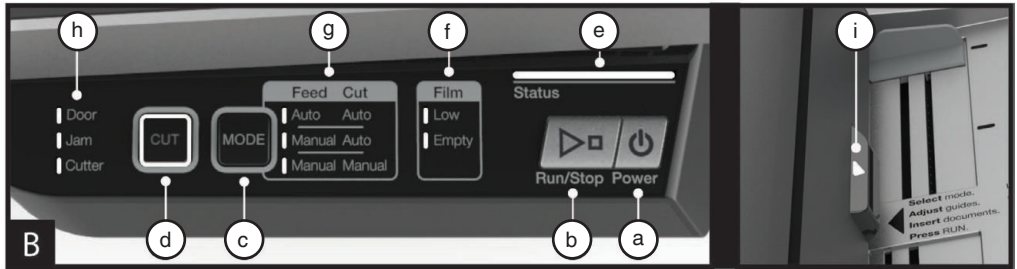
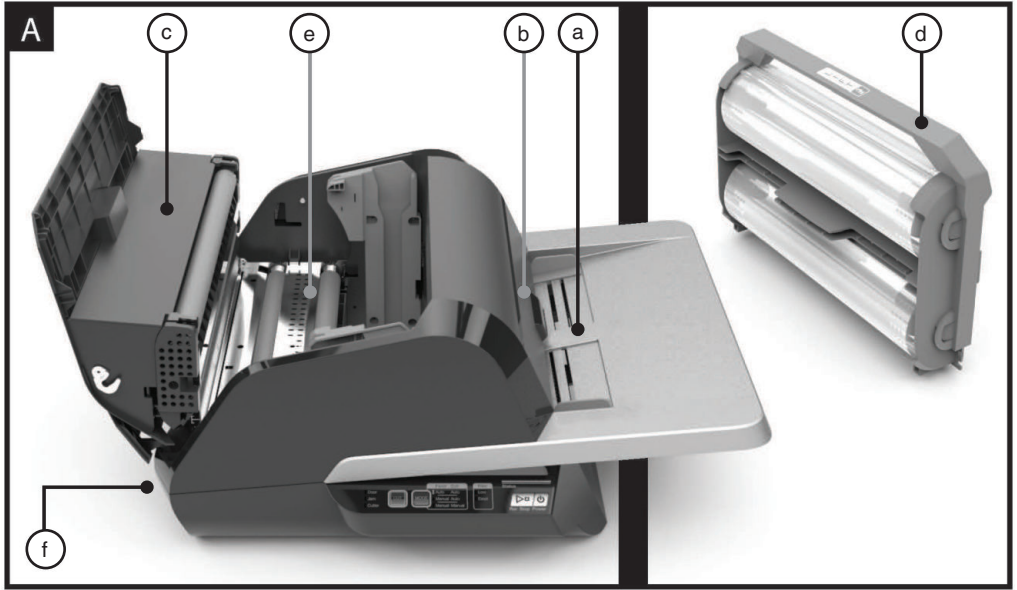
1. Power the machine on, wait for it to completely warm up.
2. Open the laminator door using the silver latch.
3. Clean the top rollers with a clean, damp lint-free cloth. If there are any adhesive build-ups, you may use isopropyl alcohol instead of water.
4. Lift leading film edge up to the handle of the cartridge.
5. Clean the bottom rollers with a clean, damp lint-free cloth. If there are any adhesive build-ups, you may use isopropyl alcohol instead of water.
6. Place the leading film edge into proper position and close the door.
7. Press and hold the RUN/STOP button for 5-7 seconds to manually advance the rollers.
8. Open the laminator door using the silver latch.
9. Repeat steps 3 – 6.

**Note:** Do not use metal scouring pads to clean the heat rollers!



**WARNING:** Do not laminate glitter and/or metallic items. Damage to the rollers may result.

The side covers, and feed table can be cleaned with a lint-free cloth and a mild detergent.



## FEATURE GUIDE

### A. GETTING TO KNOW YOUR LAMINATOR:

(Shown in image A above)

#### a) FEED TRAY & SIDE GUIDES:

- i) Place document(s) to be laminated and use the side guides to minimise skew. Flip out extension for larger documents.

#### b) FEEDER/FEEDER DOOR:

- i) Feeds document into laminator. A red light on the door will indicate that a mis-feed has occurred. Open the door to clear any mis-feeds.

#### c) LAMINATOR DOOR:

- i) Door that gives access to the inner parts of the laminator: rollers, film cartridge, etc.
- ii) To Open: pull on the silver latch, and lift up
- iii) To Close: gently lower using the silver latch, and push latch closed. DO NOT push down on the laminator door to close.

#### d) FILM CARTRIDGE:

- i) Replace the film cartridge when empty or when a different thickness is required. See CARTRIDGE FILM LOADING for details.

#### e) LAMINATORS ROLLERS:

- i) Rollers heat-up to activate the adhesive on the film and apply the pressure to ensure the film sticks to the document.

#### f) AUTO TRIMMER:

- i) When in Auto Cut modes, the trimmer finds the leading and trailing edge of the document and cuts the film. In Manual Cut mode, it will cut the film when the CUT button is pressed.

### B. CONTROL PANEL:

(Shown in image B above)

#### BUTTONS

- a) **POWER** – turns the machine on/off. After 15 minutes of no use, the machine will automatically turn off.
- b) **RUN/STOP** – used to start and stop the laminator.
  - i) Dual Function – Manual Advance: Continuously hold the button to manually advance the laminator rollers. This can be used to clear jams and debris for cleaning.
- c) **MODE** – allows users to toggle through three modes of operation.
  - i) Auto Feed / Auto Cut – best for standard paper sizes printed on 80-120gsm paper.
  - ii) Manual Feed / Auto Cut – best for standard paper sizes on heavy paper stocks that won't Auto Feed.
  - iii) Manual Feed / Manual Cut – best for odd shaped and non- rectangular documents.

- d) **CUT** – pressing this button will cycle the trimmer to cut the film one time. This button is primarily used in Manual Cut mode.

#### INDICATORS

- e) **STATUS** – communicates the status of the machine:
  - i) Solid Green = ready to use
  - ii) Green Blinking Sequence = running
  - iii) Solid Amber = warming up
  - iv) Amber Blinking Sequence = warming up and RUN command accepted. Will begin laminating once ready.
  - v) Solid Red = error status
- f) **FILM** – LED light will indicate when film is low (approx. 30% remaining) or is empty.
  - i) Low = Amber LED light
  - ii) Empty = Red LED light
- g) **MODE** – green LED light identifies what mode of operation the machine is in.
- h) **ERROR MESSAGE** – communicates error messages that need to be resolved.
  - i) **DOOR**: one or both doors are open
  - ii) **JAM**: the machine may encounter two types of jams:
    1. Laminator jam: push and hold the RUN button to manually advance the rollers to clear itself.
    2. Feeder jam: open the feeder door and remove the paper.
  - iii) **CUTTER**: trimmer cannot complete full cut cycle
  - iv) **MANUAL FEED INDICATOR** – communicates when the machine is ready by illuminating GREEN to feed the next manually fed document. Located on the Feeder Door.

### C. FILM CARTRIDGE:

(Shown in image C above)

- a) **CARTRIDGE** – inserts into the laminator.
- b) **CARTRIDGE LABEL** – indicates film thickness. Located on top of handle.
- c) **FILM LEADER** – the sealed leading edge of the film. This edge must be placed facing the exit of the machine.





## OPERATION

### OPERATION MODES:

#### AUTO FEED / AUTO CUT

**Note:** Best for standard paper sizes printed on 80-120 gsm paper.

1. Press the POWER button to turn the machine ON. The machine will automatically start in Auto Feed / Auto Cut mode.
2. Place your document(s) in the FEED TRAY.
3. Slide the Side Guides to fit your document(s) to minimise skew during lamination.
4. Press the RUN button:

**Note:** If RUN is pressed before the machine has completely warmed up, the status bar will be AMBER blinking in a sequence. The laminator has accepted the command and will start automatically when machine reaches proper temperature.

5. Document(s) will be automatically laminated and automatically trimmed as they exit the machine.

**Note:** If you hit stop while the document is still feeding through the laminator, the machine will finish laminating the document before stopping.

#### MANUAL FEED / AUTO CUT

**Note:** Best for standard rectangular paper sizes on heavy paper stocks that won't Auto Feed.

1. Press the POWER button to turn the machine ON.
2. Select the Manual Feed / Auto Cut mode by pressing the Mode button.
3. Wait for the machine to reach proper temperature: solid green STATUS light.
4. Place only the first document in the FEED TRAY. The document must be placed in the centre of the Feed Tray and far enough into the feeder to grab your document.
5. Press the RUN button. The document will begin to feed into the laminator.
6. After your first document begins laminating, wait for the MANUAL FEED indicator to illuminate green. Once illuminated, the machine can be manually fed the next document. Repeat this process one sheet at a time until the job is complete.
7. Documents will be manually laminated and automatically trimmed as they exit the machine.
8. After the final document has been cut and exits the machine will automatically stop.

#### MANUAL FEED / MANUAL CUT

**Note:** This mode is best used for odd-shaped or non-rectangular documents that won't Auto Feed.

1. Press the POWER button to turn the machine ON.
2. Select the Manual Feed / Manual Cut mode by pressing the Mode button.

3. Wait for the machine to reach proper temperature: solid green STATUS light.
4. Place only the first document in the FEED TRAY. The document must be placed in the centre of the Feed Tray and far enough into the feeder to grab your document.
5. Press the RUN button. The document will begin to feed into the laminator.
6. After your first document begins laminating, wait for the MANUAL FEED indicator to illuminate green. Once illuminated, the machine can be manually fed the next document. Repeat this process one sheet at a time until the job is complete.
7. Press the CUT button to cycle the trimmer anytime you want to cut the film.  
**Note:** It is recommended to press the CUT button after you see the entire document exit the machine to avoid cutting the document.
8. After the final document has exited the machine, press the STOP button to stop the lamination process.
9. Once lamination has stopped, press CUT to cut the remaining film that has exited the machine.

### CARTRIDGE FILM LOADING

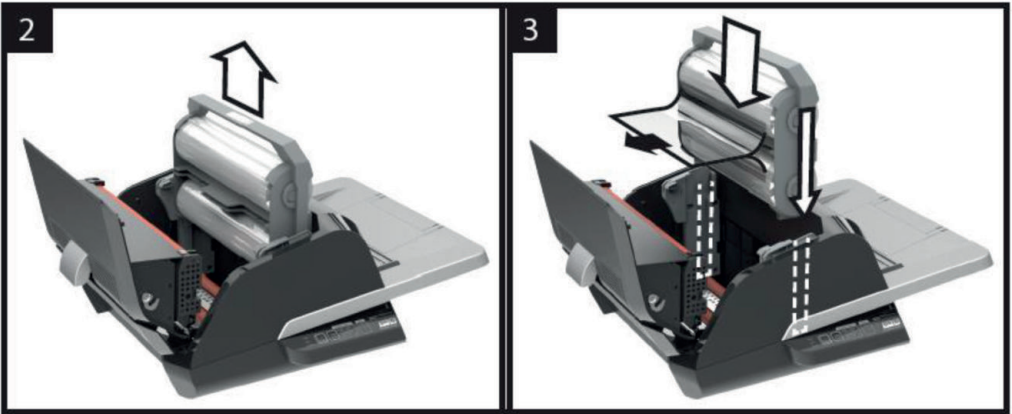
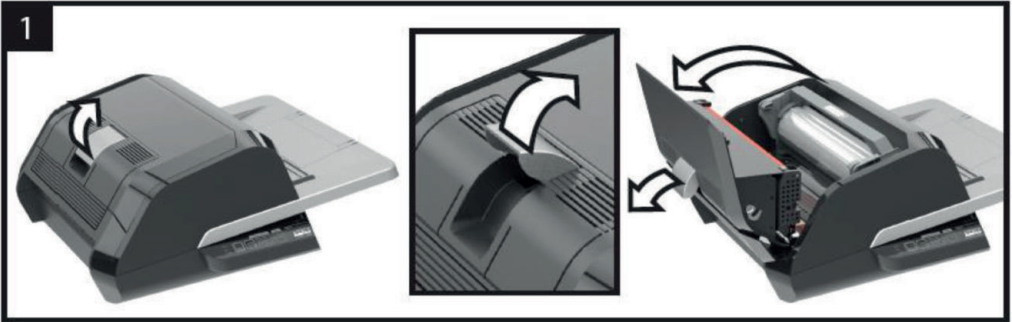
*(Reference Images 1-4 to demonstrate process)*



**CAUTION:** the following procedure might be performed while the laminator is hot. Use extreme caution.

1. Open Laminator Door: Open the laminator door by fully raising the silver latch on the top of the machine and pull up until door fully opens.
  2. Remove Cartridge: Lift upward on the cartridge handle to remove the installed cartridge.  
**CAUTION:** full cartridges tend to be heavy
  3. Insert Cartridge: Insert replacement cartridge by aligning edges of cartridge over grey channel guide in laminator and lowering.
- Note:** Film leader should be inserted away from the feeder, facing towards the exit of the machine.
4. Close Laminator Door: Close the laminator door by gently lowering the door and fully close the silver latch on top. DO NOT push down on the laminator door to close; use the latch.
  5. Ensure Cartridge is Fully Inserted: Film Empty indicator will be illuminated when no cartridge is installed or if the cartridge is not fully seated on the bottom.

**Note:** When the laminator reaches proper temperature, the machine will feed approximately 23cm of film to eliminate potential wrinkles in the film.





## TROUBLESHOOTING

SYMPTOM	POSSIBLE CAUSE	CORRECTIVE ACTION
Pressing the Power button does not turn the machine ON	The power cord may not be inserted all the way into outlet	Fully Insert plug into outlet. Make sure the outlet has power.
Status Indicator Red:	<p>Door Error Indicator Red:</p> <p>Paper Jam Error Indicator Red:</p> <p>Film Empty Indicator Red:</p> <p>Cutter Error Indicator Red:</p>	<p>Remove any paper from the feeder tray. Open and Close both the laminator door and the feeder door. Ensure they are fully closed</p> <p>Remove any paper from the feeder tray. Open and close the feeder door. If the above does not clear the error, press and hold the RUN button for 10 seconds to manually feed film. Film should begin to exit the machine and Jam should clear. If Jam error remains, open laminator door and look to see if film leader is caught on an obstacle or the rollers. DO NOT CUT the film. Lift-up the film leader and replace it in proper position. Shut Laminator door and hold the run button for 10 Seconds.</p> <p>Cartridge End of Roll label has been detected. Replace the film cartridge with new cartridge and shut the laminator door.</p> <p>Press the manual cut button one time to try and activate the cutter. Not resolved, try the following: Press and hold the RUN button for about 10-20 seconds to manually advance the film. If there is laminated media in the exit of the laminator, hold the RUN button until the media has fully exited the laminator. Now press the manual cut button to see if the cutter is activated. If the film does not run, or if the cutter does not work after the above steps, contact your service provider.</p>
Film Wrinkles on output	Film Misaligned	<p>Press and hold the RUN button to manually advance the film. After 125 – 500mm of film has been advanced the wrinkle should work themselves out. If wrinkle clear press the manual cut button and you are ready to begin.</p> <p>If wrinkles still present, open the laminator door. Grasp the film exiting the laminator and hold it taut while closing the laminator door. Repeat above step and wrinkles should disappear.</p>
Film Edges are not evenly aligned.	Top and bottom rolls of film are not matched properly.	<p>Press and hold the RUN button to manually advance the film. After 125 mm of film has been advanced the film edges should be evenly aligned. If film edges are now evenly aligned, press the CUT button and you are ready to begin.</p> <p>If film edges are still not evenly aligned, open the laminator door. Grasp the film exiting the laminator and hold it taut while closing the laminator door.</p>

SYMPTOM	POSSIBLE CAUSE	CORRECTIVE ACTION
Documents are skewed in the film when exiting	Documents fed in skewed	<p>Before loading paper, try tapping the leading edge of the paper on a flat surface and then repeat with the bottom or top edge to get your paper properly squared.</p> <p>Insert your media in the auto feeder and slide the edge guide up to edge of your media.</p>
<p>Experiencing frequent double feeds</p> <p>Experiencing frequent mis-feeds</p>	<p>Paper has heavy static</p> <p>Rollers are slipping on media and do not feed sheets</p>	<p>Try fanning the media or placing in a paper jogger prior to feeding it. If issues persist use the Manual Feed / Auto Cut mode.</p>



## SAFETY

### Safety

**YOUR SAFETY, AS WELL AS THE SAFETY OF OTHERS IS IMPORTANT TO GBC. IN THIS INSTRUCTION MANUAL AND ON THE PRODUCT ARE IMPORTANT SAFETY MESSAGES. BEFORE YOU INSTALL OR USE THE MACHINE, READ AND FOLLOW ALL THE SAFETY NOTICES CAREFULLY IN THIS CHAPTER.**

Observe all the safety information provided. Observe all safety warnings. Never remove safety warnings or other information from the equipment.

Read all of the instructions and save these instructions for further use.



The safety alert symbol precedes each safety notice in this manual. The symbol indicates a potential personal safety hazard to you or others, as well as cause product damage or property damage.



Observe all the safety information provided. Observe all safety warnings. Never remove safety warnings or other information from the equipment.

THE FOLLOWING WARNINGS ARE FOUND ON THE FOTON 30 LAMINATOR



Do not open. No user serviceable parts inside. Refer servicing to qualified service personal.



**CAUTION Hot Surface:** Laminator rollers can be in excess of 260° F / 126.7° C. Please use caution and do not touch the rollers.



**WARNING:** Do not attempt to service or repair the laminator.



**WARNING:** Do not connect the laminator to an electrical supply or attempt to operate the laminator until you have completely read these instructions. Maintain these instructions in a convenient location for future reference.



**WARNING:** This device is not intended for use in the direct field of view at visual display workplaces. To avoid incoming reflections at visual display workplaces this device must not be placed in the direct field of view.

### General Safeguards

- Use this laminator only for its intended purposes as according to the specifications outlined in the operating instructions.
- Keep hands, long hair, loose clothing and articles such as necklaces or ties away from the front of the feed rollers to avoid entanglement and entrapment.
- When opening the top door of the laminator, avoid contact with the internal rollers when laminator is powered on or shortly after the laminator has been turned off. The rollers can reach temperatures in excess of 260° F / 126.7° C.
- Keep hands and fingers away from the path of the sharp film cutter blade located at the film exit.
- Do not place the laminator on an unstable cart, stand or table. An unstable surface may cause the laminator to fall resulting in serious bodily injury. Avoid quick stops, excessive force and uneven floor surfaces when moving the laminator on a cart or stand.
- Do not defeat or remove electrical and mechanical safety equipment such as interlocks, shields and guards.
- Do not insert objects unsuitable for lamination.
- Do not expose laminator to liquids.



**CAUTION:** The receptacle must be located near the equipment and easily accessible. Do not use an extension cord.

## Electrical Safeguards

- The equipment should be connected to an easily accessible and grounded (3-pin) receptacle (socket outlet) near the equipment.
- This laminator must be connected to a supply voltage corresponding to the electrical rating as indicated on the serial plate located on the rear of the machine.
- Unplug the laminator before moving it, or when it is not in use for an extended period of time.
- Do not operate the laminator with a damaged power supply cord or plug.
- Do not overload electrical outlets as this can result in fire or shock.
- Do not alter the attachment plug. This plug is configured for the appropriate electrical supply.
- The unit is intended for indoor use only.
- Disconnect the attachment plug from the receptacle to which it is connected and keep the power supply cord in your possession while moving the laminator.
- Do not operate the laminator with a damaged power supply cord or attachment plug, upon occurrence of a malfunction, or after laminator has been damaged. Contact an authorized GBC service representative for assistance.

## Waste Electrical and Electronic Equipment (WEEE)

At the end of its useful life, your product is considered to be WEEE. As such, it is important to note that: WEEE is not to be disposed of as unsorted municipal waste. It is to be collected separately such that it can be disassembled so its components and materials can be recycled, re-used, and recovered (burned for energy content in the production of electricity).

Public collection points have been set up by municipalities for the collection of WEEE, free of charge to you.

Please return your WEEE to the collection facility nearest your home or office.

If you have difficulty locating a collection facility, the retailer that sold you the product should accept your WEEE.

If you are no longer in contact with your retailer, please contact ACCO for assistance with this matter.

Recycling of WEEE is geared toward protecting the environment, protecting human health, preserving raw materials, improving sustainable development, and ensuring a better supply of commodities in the European Union. This will be achieved by retrieving valuable secondary raw materials and reducing the disposal of waste. You can contribute to the success of these goals by returning your WEEE to a collection facility.

Your product is marked with the WEEE symbol (wheelie bin with an X through it). This symbol is to inform you that the WEEE is not to be disposed of as unsorted municipal waste.

## Guarantee

Operation of this machine is guaranteed for two years from date of purchase, subject to normal use. Within the guarantee period, ACCO will at its own discretion either repair or replace the defective machine free of charge. Defects due to misuse or use for inappropriate purposes are not covered under the guarantee. Proof of date of purchase will be required. Repairs or alterations made by persons not authorised by ACCO will invalidate the guarantee. It is our aim to ensure that our products perform to the specifications stated. This guarantee does not affect the legal rights which consumers have under applicable national legislation governing the sale of goods.



<b>Schnellstartanleitung</b>	<b>16</b>
<b>Bedienelemente</b>	<b>17</b>
<b>Technische Daten</b>	<b>17</b>
<b>Installation</b>	<b>18</b>
<b>Gerätekomponenten</b>	<b>20</b>
<b>Betrieb</b>	<b>21</b>
<b>Störungsbeseitigung</b>	<b>23</b>
<b>Sicherheit</b>	<b>25</b>

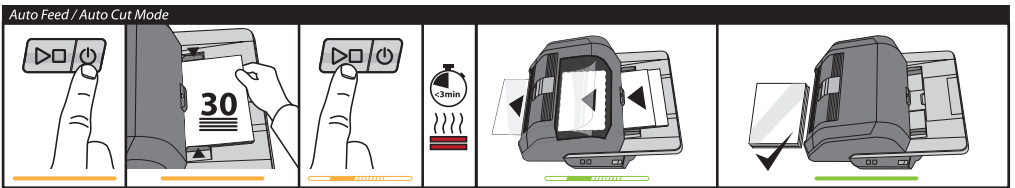


MODE

Feed Cut	
Auto	Auto
Manual	Auto
Manual	Manual

≤120gsm

30  
A3/A4

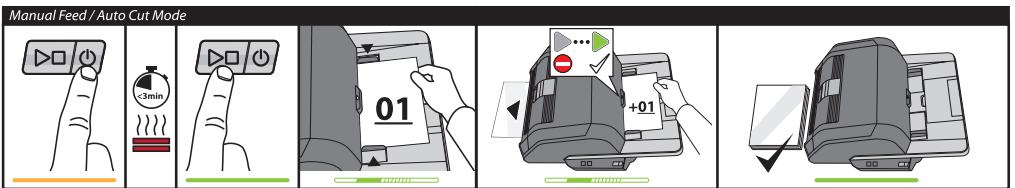


MODE

Feed Cut	
Auto	Auto
Manual	Auto
Manual	Manual

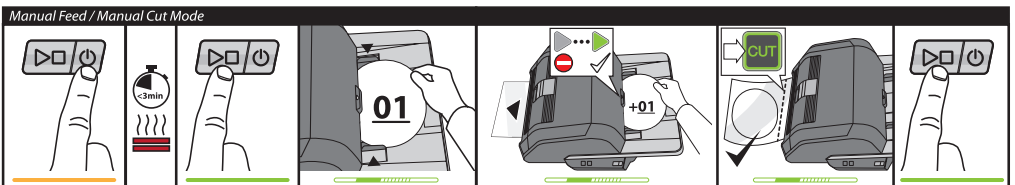
≥120gsm

01  
A3/A4




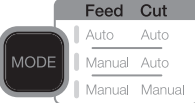



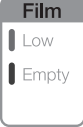
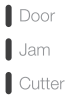
MODE

Feed Cut	
Auto	Auto
Manual	Auto
Manual	Manual





## BEDIENELEMENTE

 <p>Run/Stop Power</p>	<p><b>Power:</b> schaltet das Gerät ein und beginnt das Aufwärmen. Zum Ausschalten erneut drücken.</p> <p><b>Run/Stop:</b> startet und stoppt die Laminierung.</p>
	<p><b>Mode:</b> zur Auswahl der Betriebsart.</p>
 <p>Status</p>	<p><b>Status:</b> zeigt den Gerätestatus an (wärmt auf, bereit, in Betrieb, Fehler).</p>
	<p><b>Bereit, manuelles Zuführen:</b> zeigt im manuellen Betrieb an, wann das Dokument eingelegt werden soll.</p>
	<p><b>Messer aktivieren:</b> im manuellen Schneidbetrieb drücken, um Dokumente zu trennen. Hinweis: Vor Gebrauch sicherstellen, dass die Laminierung abgeschlossen ist.</p>
	<p><b>Folienstatus:</b> <i>Low = Folie reicht noch für ca. 30 Dokumente.</i> <i>Empty = Folienmagazin muss ausgetauscht werden.</i></p>
	<p><b>Fehlerzustände:</b> <i>Door = eine Tür ist offen.</i> <i>Jam = ein Dokumentenstau liegt vor.</i> <i>Cutter = Messerfehler.</i></p>

## Service

Registrierung und Aktivierung der Garantie unter [www.gbceurope.com](http://www.gbceurope.com)

Einzelheiten zum örtlichen Kundendienst siehe [www.gbceurope.com](http://www.gbceurope.com).



Mit diesem Symbol gekennzeichnete Produkte erfüllen alle geltenden Gemeinschaftsverordnungen für den Europäischen Wirtschaftsraum.



Das Laminiergerät nur im Innenbereich verwenden.

## TECHNISCHE DATEN

<b>Modell</b>	FOTON 30
<b>Laminiergeschwindigkeit</b>	75 µm: 700mm/min 100 µm: 670mm/min 125 µm: 650mm/min
<b>Betriebsarten</b>	Automatische Zuführung/ Automatischer Schnitt  Manuelle Zuführung/ Automatischer Schnitt  Manuelle Zuführung/Manueller Schnitt
<b>Aufwärmzeit</b>	75 µm: 3 Minuten 100 µm: 3,5 Minuten 125 µm: 4 Minuten
<b>Maximale Zufuhrkapazität</b>	30 Blatt (80 g/m <sup>2</sup> )
<b>Maximale Folienbreite</b>	306mm
<b>Maximale Dokumentstärke</b>	250 g/m <sup>2</sup> (manuelle Zuführung)
<b>Zulässige Dokumentlängen</b> <b>Zulässige Dokumentbreiten</b>	Minimum: 152mm Maximum: 432mm  Minimum: 127mm Maximum: 297mm
<b>Mediengewicht, automatische Zuführung</b> <b>Mediengewicht, manuelle Zuführung</b>	Hohe Zuverlässigkeit: 64–120 g/m <sup>2</sup>  Variable Zuverlässigkeit: 121–220 g/m <sup>2</sup> 64–250 g/m <sup>2</sup>
<b>Abmessungen</b> • Breite • Höhe • Tiefe • Gewicht	Gerät 57,7cm 24,5cm 47,8cm 9,5kgs
<b>Auto Shut-Off</b>	nach 15 Minuten Inaktivität
<b>Electrical Requirements</b>	220-240V, 50/60Hz
<b>Fuse</b>	Ja (intern, nicht austauschbar)
<b>Operating Environment</b>	5-35C Maximale Standorthöhe: 2000m

## INSTALLATION

### Wartung



**WARNUNG:** Nicht versuchen, das Laminiergerät selbst zu warten oder instand zu setzen. Bei Nichtbeachten dieser Warnung besteht die Gefahr schwerer Verletzungen und Todesgefahr.

In folgenden Fällen den Netzstecker ziehen und den Kundendienst verständigen:

- Das Netzkabel oder der Netzstecker ist beschädigt.
- Flüssigkeit ist in das Laminiergerät eingedrungen.
- Nach unsachgemäßem Einsatz ist eine Betriebsstörung aufgetreten.
- Das Laminiergerät funktioniert nicht so wie in der vorliegenden Anleitung beschrieben.

### Installation

- Transportschäden sind unverzüglich dem Lieferunternehmen zu melden.
- Das Laminiergerät auf eine stabile, flache Unterlage mit einer Tragkraft von 23 kg aufstellen.
- Zur Gewährleistung einer bequemen Bedienung des Geräts sollte die Aufstellungsfläche mindestens 0,75 m hoch sein. Alle vier Gummifüße müssen vollständig auf der Aufstellungsfläche stehen.
- Das Netzkabel an eine geeignete Stromquelle anschließen. An den Stromkreis des Laminiergeräts sollten keine weiteren Geräte angeschlossen werden, da es ansonsten zu einer überhäufigen Auslösung des Schutzschalters bzw. der Sicherung kommen kann.
- Das Laminiergerät muss so aufgestellt werden, dass die ausgegebene Folie ungehindert auf eine flache Fläche gleiten kann. Ein Auflaufen von Laminat am Geräteausgang kann zu einem Stau führen.
- Das Gerät nicht in der Nähe von Wärme- oder Kältequellen aufstellen. Das Gerät nicht direkt in einem von einem Kühl- oder Heizgebläse erzeugten Luftstrahl aufstellen.

### Wartung und Pflege

Die einzige erforderliche Pflegemaßnahme besteht in einer regelmäßigen Reinigung der Walzen. Durch die Reinigung der Walzen wird eine Kontaminierung des Laminats mit Schmutz und Klebstoff vermieden.



**ACHTUNG:** Der nachfolgende Arbeitsgang erfolgt bei heißem Gerät. Extreme Vorsicht walten lassen.



**WARNUNG:** Keine Reinigungs- oder Lösungsmittel auf die Walzen aufbringen.



**WARNUNG:** Folien mit einem als entzündlich gekennzeichneten Klebstoff dürfen nicht verwendet werden.



**WARNUNG:** Keinerlei Flüssigkeiten auf oder in das Gerät schütten.

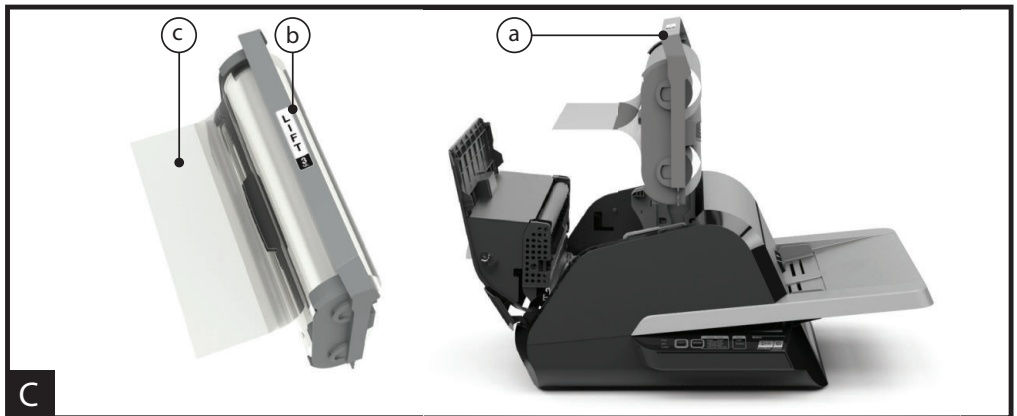
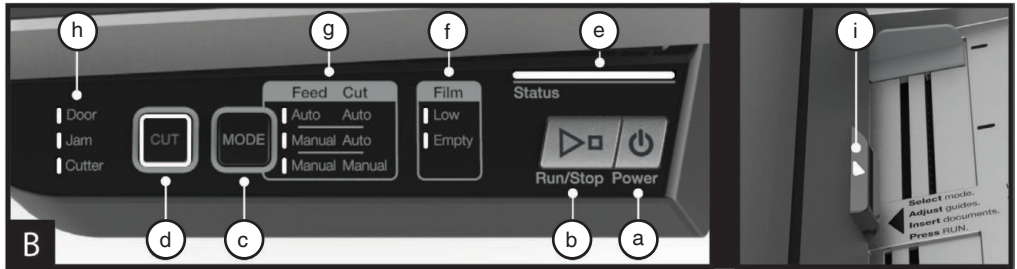
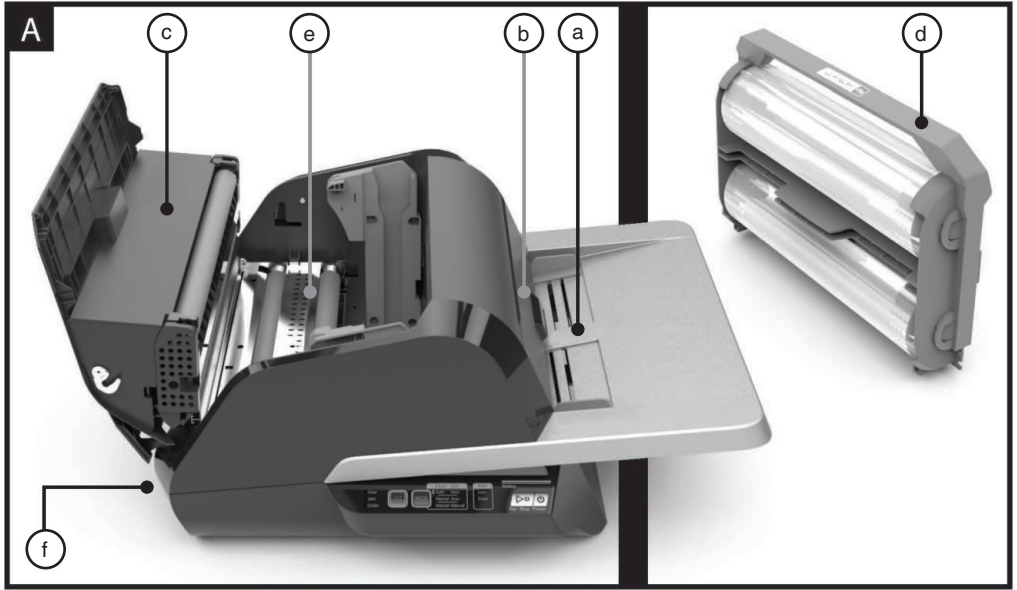
1. Gerät einschalten und warten, bis die Aufwärmphase abgeschlossen ist.
2. Gerätetür mithilfe des silberfarbenen Riegels öffnen.
3. Obere Walzen mit einem sauberen und fusselreien, feuchten Tuch reinigen. Klebstoffrückstände können mit Isopropanol entfernt werden.
4. Vorderkante der Folie anheben.
5. Untere Walzen mit einem sauberen und fusselreien, feuchten Tuch reinigen. Klebstoffrückstände können mit Isopropanol entfernt werden.
6. Vorderkante der Folie in die richtige Position legen und Tür schließen.
7. RUN/STOP-Taste 5–7 Sekunden lang gedrückt halten, um die Walzen zu drehen.
8. Gerätetür mithilfe des silberfarbenen Riegels öffnen.
9. Schritte 3–6 wiederholen.

**Hinweis:** Zum Reinigen der Walzen keine Stahlwolle oder Ähnliches verwenden!



**WARNUNG:** Keine Objekte mit Glitzer- und/oder Metallpartikeln laminieren. Diese können die Walzen beschädigen.

Zur Reinigung der seitlichen Abdeckungen und des Zufuhrfachs ein fusselreies Tuch und ein mildes Reinigungsmittel verwenden.



## GERÄTEKOMPONENTEN

### A. ÜBERBLICK:

(Siehe Abbildung A oben)

#### a) ZUFUHRFACH UND SEITENFÜHRUNGEN:

i) Zu laminierende Dokumente einlegen und mithilfe der Seitenführungen gerade ausrichten. Für größere Dokumente die Fachverlängerung ausklappen.

#### b) ZUFUHR/ZUFUHRTÜR:

i) Zieht Dokumente in das Gerät ein. Im Fall eines Fehleinzugs leuchtet eine rote Anzeige an der Tür auf. Zum Beseitigen von Fehleinzügen die Tür öffnen.

#### c) GERÄTETÜR:

- i) Legt das Geräteinnere mit Walzen, Folienmagazin und weiteren Komponenten frei.
- ii) Tür öffnen: Die Tür am silberfarbenen Riegel anheben.
- iii) Tür schließen: Silberfarbenen Riegel vorsichtig nach unten drücken bis er einrastet. Zum Schließen NICHT auf die Gerätetür drücken.

#### d) FOLIENMAGAZIN:

i) Folienmagazin austauschen, wenn es leer ist oder eine andere Folienstärke benötigt wird. Siehe „EINSETZEN DES FOLIENMAGAZINS“.

#### e) LAMINIERWALZEN:

i) Die heißen Walzen aktivieren den Klebstoff auf der Folie und sorgen durch Druck dafür, dass die Folie auf dem Dokument haftet.

#### f) AUTOMATISCHES MESSER:

i) In der Betriebsart Automatischer Schnitt erkennt das Messer die Vorder- und Hinterkante der Dokumente und schneidet die Folie durch. In der Betriebsart Manueller Schnitt muss zum Schneiden der Folie die Taste CUT gedrückt werden.

### B. BEDIENFELD:

(Siehe Abbildung B oben)

#### TASTEN

a) **POWER** – schaltet das Gerät ein und aus. Nach 15 Minuten Inaktivität schaltet sich das Gerät automatisch aus.

b) **RUN/STOP** – dient zum Starten und Stoppen des Betriebs.

i) Doppelfunktion, manueller Vorschub – Die Taste gedrückt halten, um die Laminierwalzen zu drehen. Diese Funktion dient der Staubeseitigung und zum Entfernen von Schmutz beim Reinigen.

c) **MODE** – dient zur Auswahl einer von drei Betriebsarten.

i) Auto Feed / Auto Cut – (automatische Zuführung/ automatischer Schnitt) eignet sich ideal für Standardformate und Grammatoren von 80 bis 120 g/m<sup>2</sup>.

ii) Manual Feed / Auto Cut – (manuelle Zuführung/

automatischer Schnitt) eignet sich am besten für Standardformate und schweres Papier, das nicht automatisch eingezogen wird.

iii) Manual Feed / Manual Cut – manuelle Zuführung/ manueller Schnitt) eignet sich für Dokumente einer anderen als rechteckiger Form.

d) **CUT** – (Schneiden) durch Drücken dieser Taste wird das Messer zum einmaligen Schneiden der Folie aktiviert. Die Taste wird hauptsächlich in der Betriebsart Manueller Schnitt verwendet.

#### ANZEIGEN

e) **STATUS** – zeigt den Status des Geräts an:

i) Grünes Leuchten = betriebsbereit

ii) Grüne Blinkfolge = in Betrieb

iii) Gelbes Leuchten = in Aufwärmphase

iv) Gelbe Blinkfolge = in Aufwärmphase, der Befehl RUN zum Auslösen des Laminiervorgangs ist eingegangen. Der Laminiervorgang beginnt, sobald das Gerät betriebsbereit ist

v) Rotes Leuchten = Fehler

f) **FILM** – Die LED zeigt an, wenn nur noch ca. 30 % der Folie verbleiben, bzw. wenn das Folienmagazin leer ist.

i) Folie knapp = LED leuchtet gel.

ii) Magazin leer = LED leuchtet rot

g) **MODE** – Die grüne LED zeigt an, welche Betriebsart aktiviert wurde.

h) **FEHLERANZEIGE** – weist auf einen Fehler hin, der behoben werden muss.

i) **DOOR**: Eine oder beide Türen sind offen.

ii) **JAM**: Es ist einer von zwei möglichen Staus aufgetreten:

1. Stau im Gerät: Die RUN-Taste gedrückt halten, um die Walzen zu drehen und den Stau so zu beseitigen.

2. Stau in der Zufuhr: Die Zufahrtür öffnen und das Papier entfernen.

iii) **CUTTER**: Das Messer kann keinen vollständigen Schneidzyklus ausführen.

iv) **ANZEIGE FÜR MANUELLE ZUFUHR**: Leuchtet grün auf, wenn das Gerät bereit ist und das nächste Dokument manuell zugeführt werden kann. Diese Anzeige befindet sich auf der Zufahrtür.

### C. FOLIENMAGAZIN:

(Siehe Abbildung C oben)

a) **MAGAZIN** – wird in das Gerät eingesetzt.

b) **MAGAZINBESCHRIFTUNG** – gibt die Folienstärke an. Befindet sich an der Griffoberseite.

c) **FOLIENVORDERKANTE** – die miteinander verklebten Vorderkanten der Folienrollen. Die Kante muss der Geräteausgabe zugewandt sein.



## BETRIEB

### BETRIEBSARTEN:

#### AUTOMATISCHE ZUFÜHRUNG/AUTOMATISCHER SCHNITT („AUTO FEED / AUTO CUT“)

**Hinweis:** am besten für Dokumente im Standardformat mit einer Grammatur von 80 bis 120 g/m<sup>2</sup> geeignet.

1. Taste POWER drücken, um das Gerät einzuschalten. Das Gerät startet automatisch in der Betriebsart „Automatische Zuführung/Automatischer Schnitt“.
2. Das oder die Dokumente in das ZUFUHRFACH legen.
3. Die Seitenführungen an die Dokumente herschieben, damit diese möglichst gerade eingezogen werden.
4. Die Taste RUN drücken.

**Hinweis:** Wird die Taste RUN gedrückt, bevor das Gerät vollständig aufgewärmt ist, wird dies durch eine gelbe Blinkfolge der Statusleiste angezeigt. Das Gerät hat den Befehl zum Laminieren erhalten und der Laminiervorgang beginnt automatisch, wenn die Betriebstemperatur erreicht ist.

5. Die Dokumente werden automatisch laminiert und beim Verlassen des Geräts automatisch geschnitten.

**Hinweis:** Wird die Taste STOP gedrückt, während ein Dokument durch das Laminiergerät geführt wird, wird dieses Dokument zunächst fertig laminiert, bevor das Gerät anhält.

#### MANUELLE ZUFÜHRUNG/AUTOMATISCHER SCHNITT („MANUAL FEED / AUTO CUT“)

**Hinweis:** ideal für rechteckige Dokumente im Standardformat auf schwerem Papier, das nicht automatisch eingezogen wird.

1. Taste POWER drücken, um das Gerät einzuschalten.
2. Durch Drücken der Taste MODE die Betriebsart Manual Feed / Auto Cut wählen.
3. Warten, bis das Gerät die Betriebstemperatur erreicht hat (grüne Statusleuchte).
4. Das erste Dokument in das Zufuhrfach einlegen. Das Dokument mittig auflegen und nach vorn schieben, bis es von der Zufuhr erfasst werden kann.
5. Die Taste RUN drücken. Das Dokument wird in das Gerät eingezogen.
6. Warten, bis die Anzeige für manuelle Zufuhr grün leuchtet. Sobald die Anzeige aufleuchtet, kann das nächste Dokument manuell zugeführt werden. Diesen Vorgang mit jedem Blatt wiederholen, bis alle Dokumente laminiert sind.
7. Manuell zugeführte Dokumente werden laminiert und beim Verlassen des Geräts automatisch geschnitten.
8. Sobald das letzte Dokument das Gerät verlassen hat und abgeschnitten ist, hält das Gerät automatisch an.

#### MANUELLE ZUFÜHRUNG/MANUELLER SCHNITT („MANUAL FEED / MANUAL CUT“)

**Hinweis:** ideal für nicht rechteckige Dokumente, die nicht automatisch eingezogen werden.

1. Taste POWER drücken, um das Gerät einzuschalten.
2. Durch Drücken der Taste MODE die Betriebsart Manual Feed / Manual Cut wählen.
3. Warten, bis das Gerät die Betriebstemperatur erreicht hat (grüne Statusleuchte).
4. Das erste Dokument in das Zufuhrfach einlegen. Das Dokument mittig auflegen und nach vorn schieben, bis es von der Zufuhr erfasst werden kann.
5. Die Taste RUN drücken. Das Dokument wird in das Gerät eingezogen.
6. Warten, bis die Anzeige für manuelle Zufuhr grün leuchtet. Sobald die Anzeige aufleuchtet, kann das nächste Dokument manuell zugeführt werden. Diesen Vorgang mit jedem Blatt wiederholen, bis alle Dokumente laminiert sind.
7. Die Taste CUT drücken, um das Messer zu aktivieren, wenn die Folie abgeschnitten werden soll.

**Hinweis:** Es empfiehlt sich, die Taste CUT erst zu drücken, wenn das gesamte Dokument sichtbar das Gerät verlassen hat, um zu vermeiden, dass das Dokument abgeschnitten wird.

8. Wenn das letzte Dokument das Gerät verlassen hat, die STOP-Taste drücken, um den Laminiervorgang zu beenden.
9. Sobald der Vorgang beendet ist, die Taste CUT drücken, um die aus dem Gerät ausgetretene Folie abzuschneiden.

### EINSETZEN DES FOLIENMAGAZINS

(Siehe Abbildungen 1–4)



**ACHTUNG:** Der nachfolgende Arbeitsgang erfolgt evtl. bei heißem Gerät. Extreme Vorsicht walten lassen.

1. Gerätetür öffnen: Silberfarbenen Riegel auf der Geräteoberseite vollständig anheben und nach oben ziehen, bis die Tür vollständig geöffnet ist.
2. Magazin entnehmen: Magazin am Griff anfassen und nach oben aus dem Gerät heben.

**ACHTUNG:** Ein volles Magazin ist in der Regel schwer.

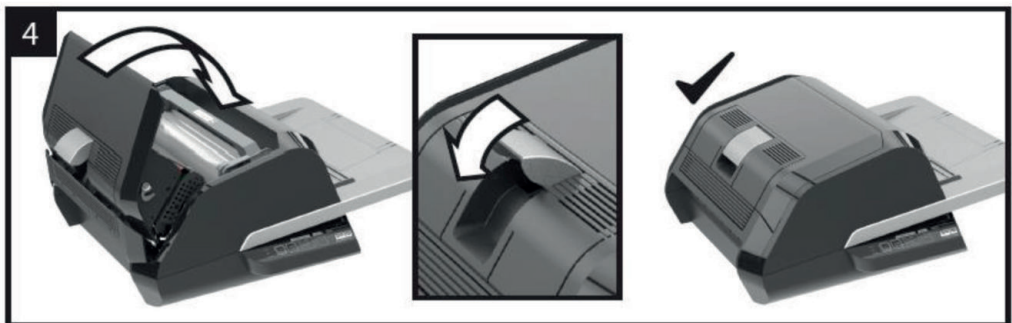
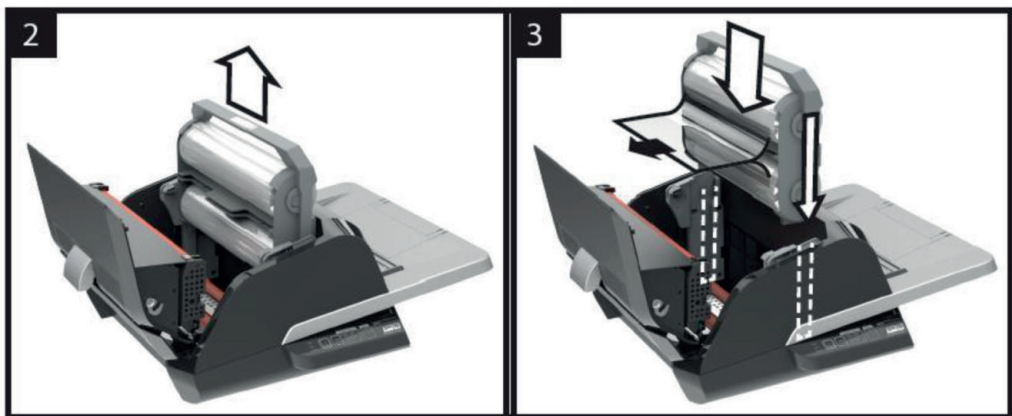
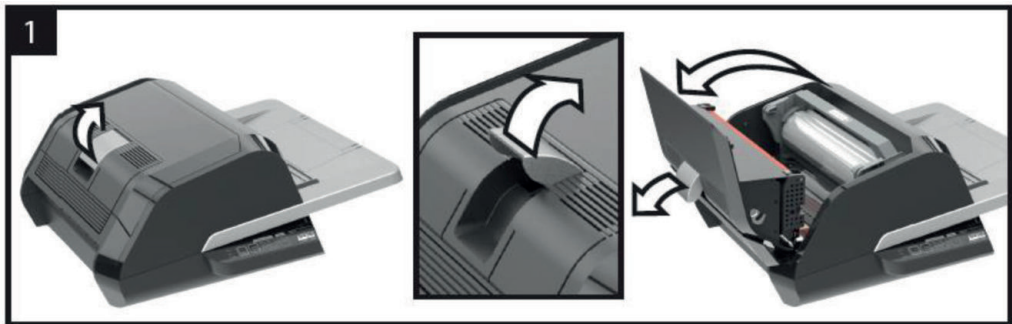
3. Magazin einsetzen: Neues Magazin an den grauen Führungsrillen ausrichten und in das Gerät setzen.

**Hinweis:** Magazin so einsetzen, dass die Folienvorderkante zum Geräteausgang weist.

4. Gerätetür schließen: Gerätetür vorsichtig absenken und silberfarbenen Riegel verriegeln. Zum Schließen NICHT auf die Gerätetür drücken. Stattdessen den Riegel verwenden.

5. Sicherstellen, dass das Magazin richtig eingesetzt ist: Ist das Magazin nicht richtig eingesetzt (oder ist kein Magazin eingesetzt), leuchtet die Anzeige Film Empty.

**Hinweis:** Wenn das Gerät die Betriebstemperatur erreicht hat, werden ca. 23 cm Folie durch die Walzen transportiert, um eventuelle Knitter zu beseitigen.





## STÖRUNGSBESEITIGUNG

SYMPTOM	MÖGLICHE URSACHE	MAßNAHME
Bei Drücken der Taste POWER schaltet das Gerät nicht ein.	Netzkabel ist nicht richtig an die Steckdose angeschlossen.	Stecker vollständig in die Steckdose einstecken. Sicherstellen, dass die Steckdose stromführend ist.
Rote Statusanzeige	Fehleranzeige Door (Tür) leuchtet rot.  Fehleranzeige Jam (Stau) leuchtet rot.  Anzeige Film Empty (Folienmagazin leer) leuchtet rot.  Fehleranzeige Cutter (Messer) leuchtet rot.	Jegliches Papier aus dem Zufuhrfach nehmen. Gerätetür und Zufahrtür öffnen und wieder schließen. Sicherstellen, dass beide Türen vollständig geschlossen sind.  Jegliches Papier aus dem Zufuhrfach nehmen. Zufahrtür öffnen und wieder schließen.  Besteht der Fehler weiter, die Taste RUN zehn Sekunden lang gedrückt halten, um Folie durch das Gerät zu transportieren. Die Folie sollte dann am Gerät austreten und der Stau beseitigt sein.  Wird weiterhin ein Stau angezeigt, die Gerätetür öffnen und prüfen, ob die Folienvorderkante an einem Hindernis oder den Walzen festhängt. <b>DIE FOLIE NICHT ABSCHNEIDEN.</b> Die Vorderkante der Folie anheben und richtig platzieren. Gerätetür schließen und die Taste RUN zehn Sekunden gedrückt halten.  Das Magazinetikett am Rollenende wurde erkannt. Folienmagazin durch ein neues ersetzen und die Gerätetür schließen.  Die Taste CUT einmal drücken, um das Messer zu aktivieren. Wenn dies nicht funktioniert, Folgendes versuchen:  RUN-Taste ca. 10–20 Sekunden lang gedrückt halten, um die Folie weiterzubewegen. Befindet sich ein laminiertes Dokument am Geräteausgang, die RUN-Taste gedrückt halten, bis das Dokument das Gerät vollständig verlassen hat. Anschließend die Taste CUT drücken, um zu prüfen, ob das Messer aktiviert wird.  Wird die Folie nicht weitertransportiert oder funktioniert das Messer nach den oben genannten Schritten immer noch nicht, den Kundendienst verständigen.
Die Folie auf laminierten Objekten weist Knitter auf.	Folie falsch ausgerichtet.	RUN-Taste gedrückt halten, um die Folie weiterzubewegen. Nachdem 125 bis 500 mm Folie durch das Gerät transportiert wurden, sollten die Knitter verschwinden. In diesem Fall die Taste CUT drücken. Das Gerät ist dann betriebsbereit.  Sind weiterhin Knitter vorhanden, die Gerätetür öffnen. Die aus dem Gerät austretende Folie greifen, straffziehen und die Gerätetür schließen. Den vorigen Schritt wiederholen. Die Knitter sollten nun verschwinden.
Folienkanten liegen nicht exakt übereinander.	Obere und untere Folienvolle sind nicht richtig aneinander ausgerichtet.	RUN-Taste gedrückt halten, um die Folie weiterzubewegen. Wenn 125 mm Folie weitertransportiert wurden, müssten die Folienkanten übereinander liegen. In diesem Fall

SYMPTOM	MÖGLICHE URSACHE	MAßNAHME
Dokumente werden in der Folie schief ausgegeben.	Dokumente wurden schief eingezogen.	Vor dem Einlegen den Dokumentenstapel an der Einzugs-kante und an einer der Seitenkanten auf einer ebenen Fläche aufstoßen, damit die Kanten bündig liegen. Die Dokumente in das Zufuhrfach einlegen und die Seitenführungen an den Stapel heranschieben.
Häufige Doppeleinzüge  Häufige Fehleinzüge	Papier ist stark statisch aufgeladen.  Die Einzugswalzen können die Dokumente nicht mitnehmen und zuführen.	Die Dokumente vor dem Einlegen auffächern oder in einen Papierrüttler legen. Bestehen die Probleme weiterhin, die Betriebsart Manuelle Zuführung/Automatischer Schnitt („Manual Feed / Auto Cut“) verwenden.





## SICHERHEIT

### Sicherheit

**IHRE SICHERHEIT SOWIE DIE SICHERHEIT ANDERER IST GBC EIN WICHTIGES ANLIEGEN. DIE VORLIEGENDE ANLEITUNG UND DAS GERÄT ENTHALTEN WICHTIGE SICHERHEITSHINWEISE. VOR INSTALLATION UND VERWENDUNG DES GERÄTS SÄMTLICHE SICHERHEITSHINWEISE IN DIESEM KAPITEL LESEN UND BEFOLGEN.**

Alle Sicherheitsinformationen müssen beachtet werden.  
Alle Sicherheitswarnungen müssen beachtet werden.  
Sicherheitswarnungen und andere Informationen dürfen nicht vom Gerät entfernt werden.

Alle Anweisungen durchlesen und für den künftigen Gebrauch aufbewahren.



In diesem Handbuch steht das Warnsymbol vor jedem Sicherheitshinweis. Das Symbol kennzeichnet sowohl Hinweise, bei deren Nichtbeachtung Verletzungsgefahr besteht, als auch solche, die auf potenzielle Produkt- und Sachbeschädigung aufmerksam machen.



Dieses Symbol steht für Stromschlaggefahr. Es weist darauf hin, dass das Gerät nicht geöffnet werden darf, da dort gefährliche Spannungen herrschen.

AUF DEM LAMINIERGERÄT FOTON 30 BEFINDEN SICH DIE NACHFOLGEND AUFGEFÜHRTEN WARNUNGEN.



Nicht öffnen. Es befinden sich keine Teile im Geräteinnern, die vom Benutzer gewartet werden können. Das Gerät darf nur von qualifiziertem Wartungspersonal gewartet werden.



**VORSICHT HEISS:** Laminierwalzen können über 126 °C heiß werden. Die Walzen nicht berühren.



**WARNUNG:** Nicht versuchen, das Laminiergerät selbst zu warten oder instand zu setzen.



**WARNUNG:** Vor Anschluss und Verwendung des Laminiergeräts zunächst die vorliegenden Anweisungen vollständig durchlesen. Diese Anleitung zum späteren Nachschlagen in Gerätenähe aufbewahren.



**WARNUNG:** Das Gerät ist nicht für die Benutzung im unmittelbaren Gesichtsfeld am Bildschirmarbeitsplatz vorgesehen. Um störende Reflexionen am Bildschirmarbeitsplatz zu vermeiden, darf dieses Produkt nicht im unmittelbaren Gesichtsfeld platziert werden.

### Allgemeine Vorsichtsmaßnahmen

- Das Laminiergerät nur für den vorgesehenen Zweck und gemäß der vorliegenden Anleitung verwenden.
- Hände, langes Haar, lose Kleidung, Halsketten, Krawatten u. Ä. von den Zuführwalzen fernhalten, ansonsten können sie sich im Gerät verfangen.
- Wird die Tür auf der Geräteoberseite bei eingeschaltetem Gerät oder kurz nach dessen Ausschalten geöffnet, die innenliegenden Walzen nicht berühren. Die Walzen können über 126 °C heiß werden.
- Nicht in die Nähe des Folienmessers an der Folienabgabe fassen.
- Das Laminiergerät nicht auf einem instabilen Wagen, Stand oder Tisch aufstellen. Bei instabiler Aufstellung besteht Verletzungsgefahr durch Herabfallen des Geräts. Beim Transport des Laminiergeräts auf einem Wagen oder Gestell plötzliches Anhalten, übermäßige Kraftanwendung und Bodenunebenheiten vermeiden.
- Elektrische und mechanische Schutzeinrichtungen, etwa Verriegelungen oder Schutzabdeckungen, nie entfernen oder überbrücken.
- Keine Gegenstände einführen, die nicht zum Laminieren geeignet sind.
- Keinerlei Flüssigkeiten auf oder in das Gerät schütten.



**VORSICHT:** Das Gerät muss in der Nähe der Steckdose aufgestellt werden, die Steckdose muss stets gut zugänglich sein. Kein Verlängerungskabel verwenden.

## Elektrische Sicherheit

- Das Gerät an eine leicht zugängliche, ordnungsgemäß geerdete Steckdose anschließen.
- Das Gerät an eine geeignete Steckdose anschließen (Angaben zum Netzanschluss s. Typenschild an der Geräterückseite)
- Vor dem Umstellen des Geräts und bei längeren Betriebspausen den Netzstecker ziehen.
- Das Gerät nicht mit einem beschädigten Kabel oder Stecker betreiben.
- Steckdose nicht überlasten – Brand-/ Stromschlaggefahr!
- Den Stecker des Geräts nicht verändern. Er ist auf die jeweilige Stromversorgung ausgelegt.
- Gerät ausschließlich in Innenräumen verwenden.
- Zum Transport des Geräts das Netzkabel an Steckdose und Gerät abziehen und sicher aufbewahren.
- Im Falle einer Beschädigung des Geräts, des Netzkabels oder des Netzsteckers oder bei Auftreten einer Betriebsstörung das Gerät nicht verwenden. Den autorisierten GBC-Kundendienst verständigen.

## Elektro- und Elektronik-Altgeräte

Nach Ablauf der Nutzungsdauer Ihres Produkts gilt dieses als Elektro- und Elektronik-Altgerät. Für solche Geräte gilt:

Elektro- und Elektronik-Altgeräte dürfen nicht als unsortierter Siedlungsabfall entsorgt werden. Sie sind getrennt zu sammeln, sodass sie demontiert und die Komponenten und Materialien recycelt, wiederverwendet oder verwertet (d. h. zur Energierückgewinnung als Kraftstoff bei der Stromerzeugung verwendet) werden können.

Elektro- und Elektronik-Altgeräte können kostenlos bei öffentlichen Rücknahmestellen abgegeben werden.

Geben Sie Ihr Elektro- und Elektronik-Altgerät bei der nächstgelegenen öffentlichen Rücknahmestelle ab.

Lässt sich keine Rücknahmestelle finden, sollte der Händler, bei dem das Produkt erworben wurde, das Altgerät zurücknehmen.

Besteht zu dem Händler kein Kontakt mehr, wenden Sie sich für Hilfe in dieser Sache an ACCO.

Das Recycling von Elektro- und Elektronik-Altgeräten dient dem Umwelt- und Gesundheitsschutz, dem Erhalt von Rohstoffen, einer besseren nachhaltigen Entwicklung und einer besseren Versorgung mit Rohstoffen in der Europäischen Union. Dies wird durch Rückgewinnung wertvoller Sekundärrohstoffe und Abfallvermeidung erreicht. Sie können durch die Rückgabe des Altgeräts bei einer Rücknahmestelle Ihren Beitrag zu diesen Zielen leisten.

Das Produkt ist mit dem Symbol für Elektro- und Elektronik-Altgeräte (durchgestrichene Abfalltonne) gekennzeichnet. Das Symbol bedeutet, dass das Altgerät nicht als unsortierter Siedlungsabfall entsorgt werden darf.

## Garantie

Der Betrieb des Geräts ist bei normaler Verwendung für 2 Jahre ab Kaufdatum gewährleistet. Innerhalb des Garantiezeitraums wird das Gerät bei einem Defekt von ACCO Brands Europe nach eigenem Ermessen kostenlos instand gesetzt oder ersetzt. Die Garantie deckt keine Mängel aufgrund missbräuchlicher oder unsachgemäßer Verwendung ab. Ein Nachweis des Kaufdatums muss vorgelegt werden. Instandsetzungen oder Änderungen, die von nicht von ACCO Brands Europe autorisierten Personen vorgenommen werden, setzen die Garantie außer Kraft. Es ist unser Ziel, sicherzustellen, dass die Leistung unserer Produkte den angegebenen technischen Daten entspricht. Diese Garantie stellt keine Einschränkung der nach dem geltenden Kaufvertragsrecht gültigen Rechte des Verbrauchers dar.

FR

<b>Guide de démarrage rapide</b>	<b>28</b>
<b>Commandes</b>	<b>29</b>
<b>Spécifications</b>	<b>29</b>
<b>Installation</b>	<b>30</b>
<b>Guide des fonctions</b>	<b>31</b>
<b>Fonctionnement</b>	<b>33</b>
<b>Dépannage</b>	<b>35</b>
<b>Sécurité</b>	<b>37</b>



MODE	Feed Cut	
	Auto	Auto
	Manual	Auto

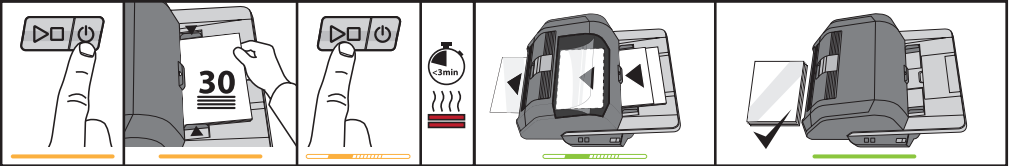
≤120gsm

<

**30**

A3/A4

Auto Feed / Auto Cut Mode



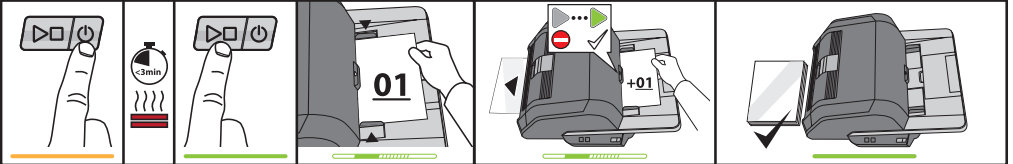
MODE	Feed Cut	
	Auto	Auto
	Manual	Auto

≥120gsm

**01**

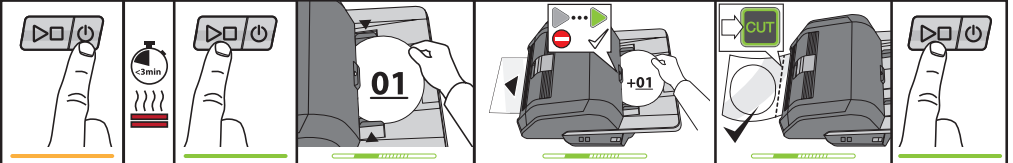
A3/A4

Manual Feed / Auto Cut Mode


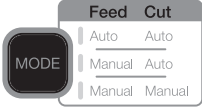


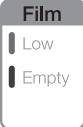





MODE	Feed Cut	
	Auto	Auto
	Manual	Auto

Manual Feed / Manual Cut Mode



## COMMANDES

 <p>Run/Stop Power</p>	<p><b>Power:</b> touche permettant d'allumer l'appareil et de lancer le processus de préchauffage, et ensuite d'éteindre l'appareil.</p> <p><b>Run/Stop:</b> touche permettant de lancer et d'arrêter la plastification.</p>
	<p><b>Mode:</b> touche permettant de faire défiler les modes de fonctionnement.</p>
<p>Status</p>	<p><b>Voyant d'état :</b> indique les différents états – Préchauffage, Prêt, En cours et Erreur.</p>
	<p><b>Indicateur d'état de l'alimentation manuelle :</b> indique quand insérer le document en mode d'alimentation manuelle.</p>
	<p><b>Activation de la lame de découpe :</b> touche permettant de séparer les documents les uns des autres, en mode Alimentation/Découpe manuelle.</p> <p><b>Important ! Avant d'utiliser cette fonction, assurez-vous que la plastification est terminée.</b></p>
	<p><b>État de film :</b></p> <p><i>Low</i> indique qu'il reste suffisamment de film pour une trentaine de documents.</p> <p><i>Empty</i> indique que la cartouche de film doit être remplacée avant la poursuite de la plastification.</p>
<ul style="list-style-type: none"> <li> Door</li> <li> Jam</li> <li> Cutter</li> </ul>	<p><b>États d'erreur :</b></p> <p><i>Door</i> indique que la porte n'est pas bien fermée.</p> <p><i>Jam</i> indique un bourrage de document.</p> <p><i>Cutter</i> indique une erreur au niveau de la lame de découpe.</p>

## SPÉCIFICATIONS

<p><b>Modèle</b></p>	<p>FOTON 30</p>
<p><b>Vitesse de fonctionnement</b></p>	<p>75 microns: 700mm/min 100 microns: 670mm/min 125 microns: 650mm/min</p>
<p><b>Modes de fonctionnement</b></p>	<p>Chargement automatique / Coupe automatique Chargement manuel / Coupe automatique Chargement manuel / Coupe manuelle</p>
<p><b>Temps de préchauffage</b></p>	<p>75 microns: 3 minutes 100 microns: 3,5 minutes 125 microns: 4 minutes</p>
<p><b>Capacité de chargement maximum</b></p>	<p>30 feuilles (papier de 80 g/m2)</p>
<p><b>Largeur maximum du film</b></p>	<p>306mm</p>
<p><b>Épaisseur maximum du document</b></p>	<p>250 g/m2 (chargement manuel)</p>
<p><b>Longueurs de documents pris en charge</b></p> <p><b>Largeurs de documents pris en charge</b></p>	<p>Minimum: 152mm Maximum: 432mm</p> <p>Minimum: 127mm Maximum: 297mm</p>
<p><b>Poids du support pour le chargement automatique</b></p> <p><b>Poids du support pour le chargement manuel</b></p>	<p>Excellents résultats : 64 - 120 g/m2 Résultats variables : 121 - 220 g/m2</p> <p>64-250gsm</p>
<p><b>Dimensions</b></p> <ul style="list-style-type: none"> <li>• Largeur</li> <li>• Hauteur</li> <li>• Profondeur</li> <li>• Poids</li> </ul>	<p>Appareil 57,7cm 24,5cm 47,8cm 9,5kgs</p>
<p><b>Arrêt automatique</b></p>	<p>Après 15 minutes d'inactivité</p>
<p><b>Exigences électriques</b></p>	<p>220-240V, 50/60Hz</p>
<p><b>Fusible</b></p>	<p>Oui (interne et non remplaçable)</p>
<p><b>Environnement d'utilisation</b></p>	<p>5-35C Altitude maximale de 2 000 m</p>

## INSTALLATION

### Entretien et réparation



**AVERTISSEMENT:** N'essayez pas d'entretenir ou de réparer vous-même cette plastifieuse. Le non-respect de cet avertissement peut causer de graves lésions corporelles, voire la mort.

Débranchez l'appareil de la prise de courant et contactez le service clientèle dans l'un quelconque des cas suivants :

- endommagement du cordon d'alimentation ou de sa fiche ;
- déversement de liquide dans la machine ;
- dysfonctionnement de la machine après une mauvaise manipulation ;
- fonctionnement de la machine non conforme aux descriptions données dans ces instructions.

### Installation

- Tout dommage survenu pendant le transit doit être signalé immédiatement au transporteur.
- Placez l'appareil sur une surface plate et stable, capable de supporter une charge de 23 kg.
- Cette surface doit faire au moins 0,75 m de hauteur pour assurer une utilisation en tout confort. Les quatre pieds en caoutchouc doivent tous se trouver sur la surface de support.
- Branchez le cordon d'alimentation à une prise secteur appropriée. Évitez de brancher un autre appareil sur le circuit de dérivation sur lequel est branchée la plastifieuse pour ne pas faire sauter le disjoncteur ou les fusibles.
- Positionnez l'appareil de façon à permettre au film sortant de tomber facilement sur une surface plane. L'accumulation de supports plastifiés à la sortie de l'appareil peut provoquer un bourrage.
- Évitez de placer la plastifieuse près de sources de chaleur ou de froid. Évitez de placer l'appareil directement sous un courant d'air pulsé chaud ou froid.

### Entretien et réparation

Pour enregistrer et activer la garantie, rendez-vous sur [www.gbceurope.com](http://www.gbceurope.com).

Pour trouver les coordonnées de votre réparateur agréé, rendez-vous sur [www.gbceurope.com](http://www.gbceurope.com).



Les produits portant ce symbole respectent tous les règlements communautaires applicables à l'Espace économique européen.



Ne jamais utiliser cette plastifieuse à l'extérieur.

### Entretien de la plastifieuse Foton 30

La seule opération de maintenance requise de la part de l'utilisateur est le nettoyage périodique des rouleaux. Maintenez la propreté des rouleaux pour que les supports plastifiés ne soient pas endommagés par de la poussière et des résidus de colle.



**MISE EN GARDE :** La procédure suivante est effectuée lorsque la plastifieuse est chaude. Faites preuve d'une grande prudence pour ne pas vous brûler.



**AVERTISSEMENT :** N'appliquez pas de liquide de nettoyage ou de solvant sur les rouleaux.



**AVERTISSEMENT :** N'essayez pas d'utiliser des films dotés de colle portant la mention « inflammable ».



**AVERTISSEMENT :** N'exposez pas l'appareil aux liquides.

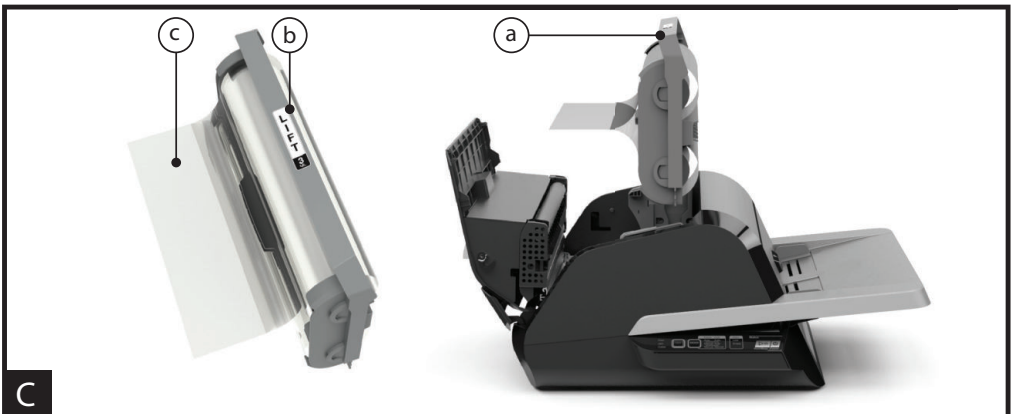
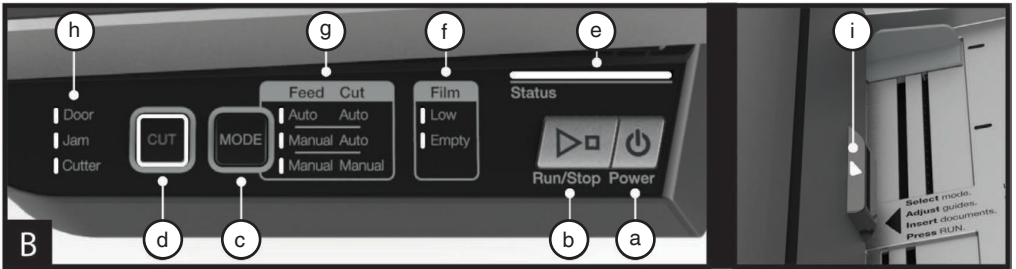
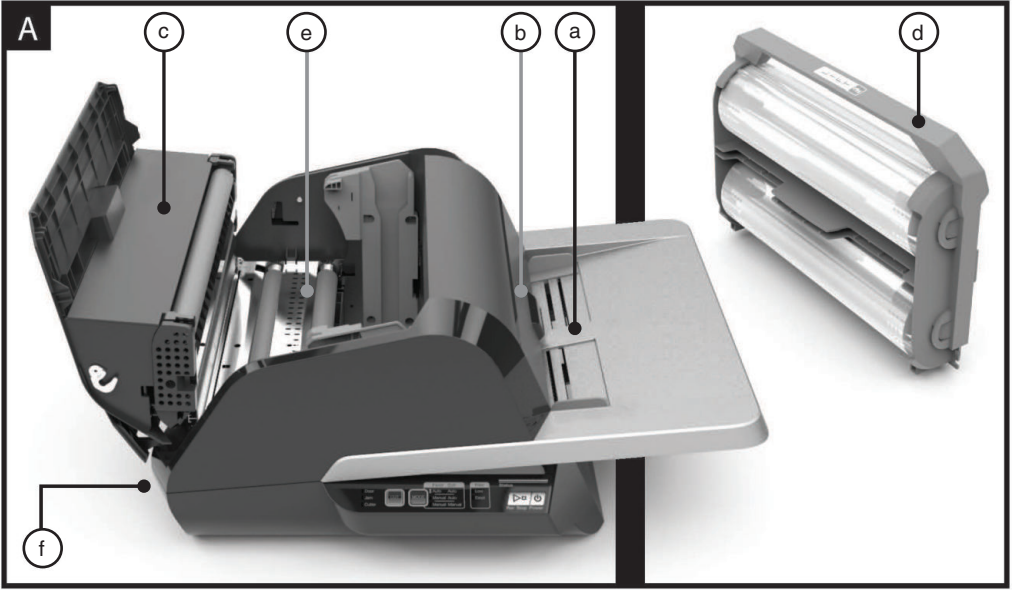
1. Allumez l'appareil et attendez la fin du temps de préchauffage.
2. Ouvrez la porte de la plastifieuse à l'aide du loquet argenté.
3. Nettoyez les rouleaux supérieurs à l'aide d'un linge propre et humide et non pelucheux. Pour enlever tout résidu de colle éventuel, vous pouvez utiliser de l'alcool isopropylique au lieu de l'eau.
4. Soulevez le bord avant du film vers la poignée de la cartouche.
5. Nettoyez les rouleaux inférieurs à l'aide d'un linge propre et humide et non pelucheux. Pour enlever tout résidu de colle éventuel, vous pouvez utiliser de l'alcool isopropylique au lieu de l'eau.
6. Repositionnez correctement le bord avant du film et fermez la porte.
7. Appuyez sur la touche RUN/STOP pendant 5 à 7 secondes pour faire tourner les rouleaux.
8. Ouvrez la porte de la plastifieuse à l'aide du loquet argenté.
9. Répétez les étapes 3 à 6.

**Remarque :** N'utilisez pas de tampons à recurer métalliques pour nettoyer les rouleaux chauffants !



**AVERTISSEMENT :** Ne plastifiez pas de supports scintillants et/ou métalliques au risque d'endommager les rouleaux.

Vous pouvez nettoyer les panneaux latéraux et le plateau de chargement avec un linge non pelucheux et un détergent doux.



## GUIDE DES FONCTIONS

### A. APPRENDRE À CONNAÎTRE VOTRE PLASTIFIEUSE:

(voir illustration A ci-dessus)

#### a) PLATEAU DE CHARGEMENT ET GUIDES LATÉRAUX:

- i) Placez le ou les documents à plastifier sur le plateau de chargement à l'aide des guides latéraux, pour optimiser leur alignement. Pour le chargement de documents plus longs, dépliez l'extension du plateau.

#### b) CHARGEUR / PORTE DU CHARGEUR :

- i) Le chargeur permet de charger le document dans la plastifieuse. Un voyant rouge s'allume sur la porte pour indiquer un mauvais chargement. Ouvrez la porte pour corriger un mauvais chargement.

#### c) PORTE DE LA PLASTIFIEUSE:

- i) Elle permet d'accéder aux composants internes de la plastifieuse : rouleaux, cartouche, etc.
- ii) Comment l'ouvrir : Soulevez la porte à l'aide du loquet argenté.
- iii) Comment la fermer : Abaissez délicatement la porte à l'aide du loquet argenté, puis appuyez sur le loquet pour verrouiller la porte. NE PAS appuyer sur la porte de la plastifieuse pour la fermer.

#### d) CARTOUCHE DE FILM :

- i) Remplacez la cartouche de film lorsqu'elle est vide ou si vous avez besoin d'un film d'une épaisseur différente. Voir « CHARGEMENT DE LA CARTOUCHE DE FILM » pour en savoir plus

#### e) ROULEAUX DE PLASTIFICATION :

- i) Les rouleaux se réchauffent pour activer la colle sur le film et exercent la pression nécessaire pour garantir l'adhésion du film au document.

#### f) COUPE-FILM AUTOMATIQUE :

- i) En mode Coupe automatique, le coupe-film détecte les bords avant et arrière du document et coupe le film. En mode Coupe manuelle, il coupe le film lorsque vous appuyez sur la touche CUT.

### B. PANNEAU DE COMMANDE :

(voir illustration B ci-dessus)

#### TOUCHES

- a) **POWER** – pour allumer et éteindre l'appareil. Après 15 minutes d'inactivité, l'appareil s'éteint automatiquement.
- b) **RUN/STOP** – pour démarrer et arrêter l'appareil.
  - i) Fonction double – Avance manuelle : Appuyez sur la touche pendant plusieurs secondes pour faire tourner les rouleaux de plastification. Cette fonction est utile pour éliminer un bourrage et pour retirer des débris lors du nettoyage.
- c) **MODE** – pour permettre aux utilisateurs de basculer entre trois modes de fonctionnement.
  - i) AAuto Feed (Chargement automatique) / Auto Cut (Coupe automatique) – convient le mieux pour les documents de tailles standards imprimés sur du papier de 80 à 120 g/m<sup>2</sup>.

ii) Manual Feed (Chargement manuel) / Auto Cut (Coupe automatique) – convient le mieux pour papier de grammage plus élevé ne se prêtant pas au mode Chargement automatique.

iii) Manual Feed (Chargement manuel) / Manual Cut (Coupe manuelle) – convient le mieux pour les documents non rectangulaires de formes inhabituelles.

d) **CUT** – pour activer le coupe-film afin qu'il coupe le film une seule fois. Cette touche sert principalement en mode Coupe manuelle.

#### VOYANTS

e) **STATUS** – indique l'état de fonctionnement de l'appareil :

- i) Vert fixe = prêt à l'emploi.
- ii) Séquence de clignotement vert = en cours de fonctionnement.
- iii) Orange fixe = préchauffage
- iv) Séquence de clignotement orange = préchauffage et acceptation de la commande de démarrage (RUN). La plastification commencera dès que l'appareil aura atteint la température appropriée.
- v) Rouge fixe = erreur de fonctionnement.

f) **FILM** – Le voyant s'allume pour indiquer que la cartouche est presque vide (il ne reste que 30 % de film environ) ou qu'elle est vide.

i) Presque vide = voyant orange.

ii) Vide = voyant rouge.

g) **MODE** – un voyant vert permet d'identifier le mode de fonctionnement de l'appareil.

h) **MESSAGE D'ERREUR** – pour communiquer les erreurs à corriger.

i) **DOOR (PORTE)** : L'une des portes ou les deux sont ouvertes.

ii) **JAM (BOURRAGE)** : L'appareil peut faire l'objet de deux types de blocage :

1. Blocage de plastification : appuyez pendant quelques secondes sur la touche RUN pour faire tourner les rouleaux et éliminer le blocage.

2. Blocage du chargeur : ouvrez la porte du chargeur et retirez le papier.

iii) **CUTTER (COUPE-FILM)** : le coupe-film ne peut pas effectuer un cycle de coupe complet.

iv) **VOYANT DE CHARGEMENT MANUEL** – est VERT quand l'appareil est prêt à l'emploi et qu'il est possible de charger le document suivant manuellement. Il se trouve sur la porte du chargeur.

### C. CARTOUCHE DE FILM :

(voir illustration C ci-dessus)

a) **CARTOUCHE** – elle est insérée dans la plastifieuse.

b) **ÉTIQUETTE DE CARTOUCHE** – indique l'épaisseur du film. Elle se trouve au-dessus de la poignée.

c) **BORD AVANT DU FILM** – le bord avant collé du film. Ce bord doit être orienté vers la sortie de l'appareil.





## FONCTIONNEMENT

### MODES DE FONCTIONNEMENT :

#### AUTO FEED (CHARGEMENT AUTOMATIQUE) / AUTO CUT (COUPE AUTOMATIQUE)

**Remarque** : le meilleur mode pour les documents de taille standard imprimés sur du papier de 80 à 120 g/m<sup>2</sup>.

1. Appuyez sur la touche de mise en marche POWER pour allumer l'appareil. L'appareil démarre automatiquement en mode Chargement automatique / Coupe automatique.
2. Placez le ou les documents sur le PLATEAU DE CHARGEMENT.
3. Ajustez les guides latéraux pour bien positionner le ou les documents et en garantir le bon alignement pendant la plastification.
4. Appuyez sur la touche RUN :

**Remarque** : Si vous appuyez sur cette touche avant que l'appareil ait atteint la température appropriée, la barre d'état se met à clignoter en orange dans une certaine séquence. La plastifieuse a accepté la commande et la plastification commencera automatiquement lorsque l'appareil aura atteint la bonne température.

5. Le ou les documents seront plastifiés automatiquement et seront coupés automatiquement à leur sortie de l'appareil.

**Remarque** : Si vous appuyez sur la touche STOP alors qu'un document est en cours de plastification, l'appareil terminera la plastification de ce document avant de s'arrêter de fonctionner.

#### MANUAL FEED (CHARGEMENT MANUEL) / AUTO CUT (COUPE AUTOMATIQUE)

**Remarque** : Le meilleur mode pour les documents rectangulaires de tailles standards imprimés sur papier plus lourd ne prêtant pas à un chargement automatique.

1. Appuyez sur la touche de mise en marche POWER pour allumer l'appareil.
2. Sélectionnez le mode Chargement manuel / Coupe automatique en appuyant sur la touche MODE.
3. Attendez que l'appareil atteigne la bonne température, quand le voyant d'état devient vert.
4. Placez uniquement le premier document dans le plateau de chargement. Positionnez-le au centre du plateau en l'insérant suffisamment dans le chargeur pour qu'il soit bien « happé ».
5. Appuyez sur la touche RUN. Le document commencera alors à être chargé dans la plastifieuse.
6. Après le lancement de la plastification du premier document, attendez que le voyant CHARGEMENT MANUEL devienne vert. Quand ce voyant est vert, vous pouvez charger manuellement le document suivant. Répétez ce processus avec chaque document jusqu'à ce que vous ayez fini votre projet de plastification.
7. Les documents chargés manuellement seront plastifiés et seront coupés automatiquement à leur sortie de l'appareil.
8. L'appareil s'arrêtera dès que le dernier document en sera sorti et aura été coupé.

#### MANUAL FEED (CHARGEMENT MANUEL) / MANUAL CUT (COUPE MANUELLE)

**Remarque** : Le meilleur mode pour les documents non rectangulaires de formes inhabituelles ne se prêtant pas à un chargement automatique.

1. Appuyez sur la touche de mise en marche POWER pour

allumer l'appareil.

2. Sélectionnez le mode de chargement manuel / coupe manuelle en appuyant sur la touche MODE.
3. Attendez que l'appareil atteigne la bonne température, quand le voyant d'état devient vert.
4. Placez uniquement le premier document dans le plateau de chargement. Positionnez-le au centre du plateau en l'insérant suffisamment dans le chargeur pour qu'il soit bien « happé ».
5. Appuyez sur la touche RUN. Le document commencera alors à être chargé dans la plastifieuse.
6. Après le lancement de la plastification du premier document, attendez que le voyant CHARGEMENT MANUEL devienne vert. Quand ce voyant est vert, vous pouvez charger manuellement le document suivant. Répétez ce processus avec chaque document jusqu'à ce que vous ayez fini votre projet de plastification.
7. Appuyez sur la touche CUT pour activer le coupe-film au moment où vous souhaitez couper le film.

**Remarque** : Il vous est conseillé d'appuyer sur la touche CUT après avoir constaté la sortie du document intégral hors de la plastifieuse afin de ne pas couper à travers le document.

8. Après la sortie du dernier document de l'appareil, appuyez sur la touche STOP pour arrêter le processus de plastification.
9. Après l'arrêt de l'appareil, appuyez sur la touche CUT pour couper le film à la sortie de l'appareil.

#### CHARGEMENT DES CARTOUCHES DE FILM

(voir illustrations 1-4)



**MISE EN GARDE** : La procédure suivante peut être effectuée lorsque la plastifieuse est chaude. Faites preuve d'une grande prudence pour ne pas vous brûler.

1. Ouvrir la porte de la plastifieuse : Ouvrez la porte de la plastifieuse en soulevant entièrement le loquet argenté situé au-dessus de l'appareil et en le tirant vers le haut jusqu'à l'ouverture totale de la porte.
2. Retirer la cartouche : Pour retirer la cartouche, soulevez-en la poignée.

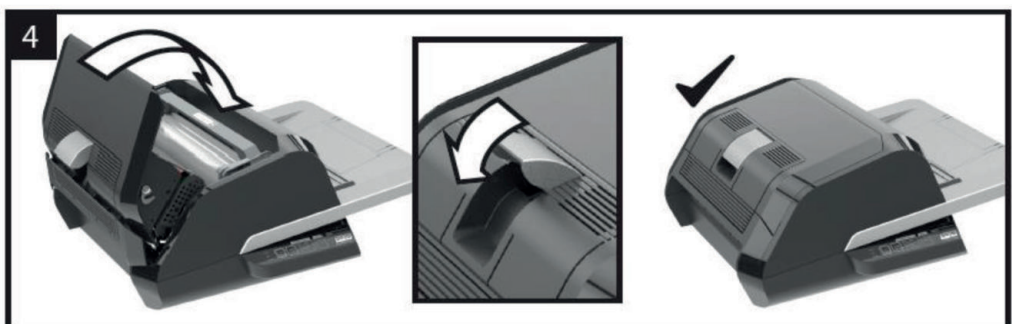
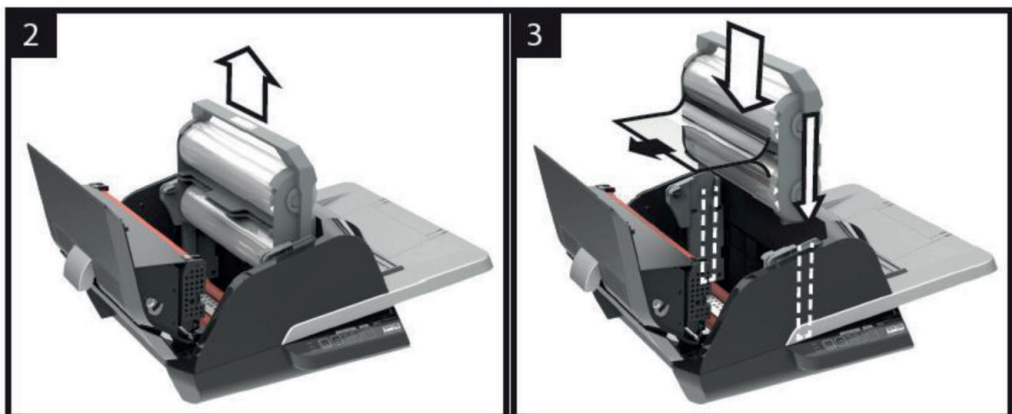
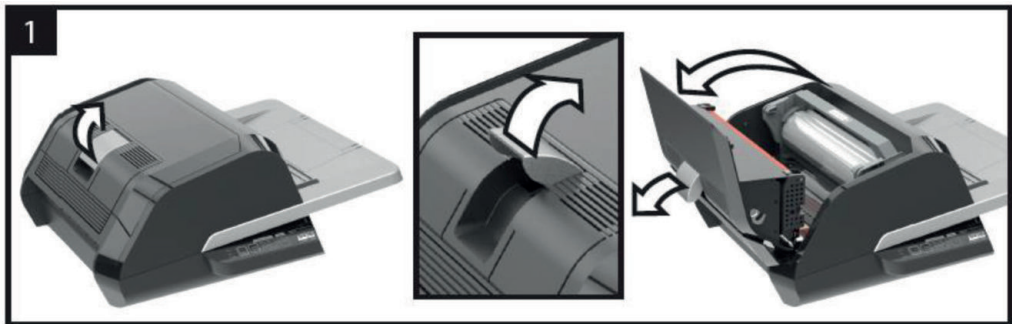
**MISE EN GARDE** : LES CARTOUCHES CHARGÉES ONT TENDANCE À ÊTRE LOURDES.

3. Insérer la nouvelle cartouche : Pour insérer une nouvelle cartouche, alignez-en les bords sur les guides gris puis abaissez-la.

**Remarque** : Il faut insérer la cartouche de manière à ce que le bord avant du film soit orienté vers la sortie de l'appareil, à l'opposé du chargeur.

4. Fermer la porte de la plastifieuse : Fermez la porte de la plastifieuse en l'abaissant délicatement et en verrouillant bien son loquet argenté. NE PAS appuyer sur la porte de la plastifieuse pour la fermer, mais utiliser le loquet.
5. Vérifier que la cartouche est bien insérée : L'indicateur de cartouche vide (Film Empty) s'allumera en l'absence de cartouche ou en cas de mauvaise installation de la cartouche.

**Remarque** : Quand la plastifieuse atteint la bonne température, elle charge environ 23 cm de film dans les rouleaux pour éliminer les plis potentiels sur le film.





## DÉPANNAGE

SYMPTÔME	CAUSES POSSIBLES	ACTIONS CORRECTIVES
L'appareil ne s'allume pas quand vous appuyez sur la touche POWER.	La fiche du cordon d'alimentation n'est peut-être pas bien insérée dans la prise secteur murale.	Insérez bien la fiche dans la prise secteur murale. Vérifiez que la prise secteur murale fonctionne.
Voyant d'état rouge :	<p>Le voyant d'état de la porte (DOOR) est rouge :</p> <p>L'indicateur de bourrage de papier (JAM) est rouge :</p> <p>L'indicateur de cartouche vide (FILM EMPTY) est rouge :</p> <p>L'indicateur d'erreur du coupe-film (CUTTER) est rouge :</p>	<p>Retirez tout papier du plateau de chargement. Ouvrez et fermez la porte de la plastifieuse et la porte du chargeur. Vérifiez qu'elles sont bien fermées.</p> <p>Retirez tout papier du plateau de chargement. Ouvrez et fermez la porte du chargeur.</p> <p>Si cela ne corrige pas l'erreur, appuyez sur la touche RUN pendant 10 secondes pour faire avancer le film. Le film devrait commencer à sortir de l'appareil et le blocage devrait être éliminé.</p> <p>Si le blocage persiste, ouvrez la porte de la plastifieuse et vérifiez si le bord avant du film est bloqué sur un obstacle ou sur les rouleaux. <b>NE PAS COUPER</b> le film. Soulevez le bord avant du film et repositionnez-le correctement. Fermez la porte de la plastifieuse et appuyez sur la touche RUN pendant 10 secondes.</p> <p>L'étiquette de cartouche indiquant la fin du rouleau a été détectée. Remplacez la cartouche de film et fermez bien la porte de la plastifieuse.</p> <p>Appuyez sur la touche CUT une fois pour essayer d'activer le coupe-film. Si l'erreur persiste, essayez ce qui suit :</p> <p>Appuyez sur la touche RUN pendant 10 à 20 secondes pour faire avancer le film. Si un document plastifié se présente à la sortie de la plastifieuse, appuyez sur cette touche jusqu'à ce que le document soit entièrement sorti de la plastifieuse. Maintenant appuyez sur la touche CUT pour vérifier si le coupe-film est alors activé.</p> <p>Si, après que vous ayez suivi les étapes ci-dessus, le film n'avance pas ou le coupe-film ne fonctionne pas, contactez votre réparateur agréé.</p>
Plis sur le film des documents plastifiés.	Mauvais alignement du film	<p>Appuyez pendant quelques secondes sur la touche RUN pour faire avancer le film. Après avoir fait avancer 125 à 500 mm de film, les plis devraient disparaître. Si les plis ont disparu, appuyez sur la touche CUT. Vous pouvez alors lancer la plastification.</p> <p>Si les plis n'ont pas disparu, ouvrez la porte de la plastifieuse. Saisissez le film à la sortie de la plastifieuse et maintenez-le bien tendu pendant que vous fermez la porte de la plastifieuse. Ensuite répétez la procédure ci-dessus en appuyant sur la touche RUN, il ne devrait plus y avoir de plis.</p>

SYMPTOM	POSSIBLE CAUSE	CORRECTIVE ACTION
Mauvais alignement des bords de film l'un sur l'autre.	Les rouleaux supérieur et inférieur ne sont pas bien positionnés l'un par rapport à l'autre.	<p>Appuyez pendant quelques secondes sur la touche RUN pour faire avancer le film. Après avoir fait avancer 125 mm de film, les bords de film devraient être bien alignés l'un sur l'autre. Si les bords sont maintenant bien alignés l'un sur l'autre, appuyez sur la touche CUT. Vous pouvez alors lancer la plastification.</p> <p>Si les bords ne sont toujours pas bien alignés l'un sur l'autre, ouvrez la porte de la plastifieuse. Saisissez le film à la sortie de la plastifieuse et maintenez-le bien tendu pendant que vous fermez la porte de la plastifieuse.</p>
Les documents sont de travers dans le film, à leur sortie.	Chargement des documents de travers.	<p>Avant de charger une pile de papier, alignez bien tous les documents en tapant le bord avant des documents sur une surface plane, puis répétez avec le bord du bas ou du haut.</p> <p>Insérez les documents dans le plateau de chargement et faites glisser les guides latéraux jusqu'au bord des documents.</p>
<p>Chargement fréquent de deux documents à la fois</p> <p>Mauvais chargements fréquents</p>	<p>Le papier est très statique</p> <p>Les rouleaux ne peuvent pas saisir les documents et les plastifier.</p>	<p>Essayez de ventiler les documents ou de les mettre dans une taqueuse avant de les charger. Si le problème persiste, utilisez le mode Chargement manuel / Coupe automatique.</p>



## SÉCURITÉ

### Sécurité

**GBC SE SOUCIE DE VOTRE SÉCURITÉ AINSI QUE DE CELLE D'AUTRUI. DES MESSAGES DE SÉCURITÉ IMPORTANTS SONT DONNÉS DANS CE MANUEL D'INSTRUCTIONS ET SUR LE PRODUIT. AVANT D'INSTALLER OU D'UTILISER L'APPAREIL, LISEZ ET SUIVEZ ATTENTIVEMENT TOUS LES AVIS DE SÉCURITÉ PRÉCISÉS DANS CE CHAPITRE.**

Respectez toutes les informations fournies sur la sécurité. Respectez tous les avertissements de sécurité. Ne retirez jamais les avertissements de sécurité ou autres informations de l'appareil.

Lisez toutes les instructions et conservez-les pour toute utilisation ultérieure.



Le symbole général d'avertissement précède chaque avis de sécurité donné dans ce manuel. Il indique un danger potentiel susceptible de provoquer des lésions corporelles ainsi que des dommages au produit ou à d'autres biens matériels.



Ce symbole d'avertissement indique un risque de choc électrique. Il vous avertit de ne pas ouvrir la plastifieuse afin de ne pas vous exposer à une tension dangereuse.

LES AVERTISSEMENTS SUIVANTS FIGURENT SUR LA PLASTIFIEUSE FOTON 30.



Ne pas ouvrir. Aucune des pièces se trouvant à l'intérieur ne peut être réparée par l'utilisateur. En cas de panne, s'adresser à du personnel de dépannage qualifié.



**MISE EN GARDE** – Surface très chaude : les rouleaux chauffants de la plastifieuse peuvent atteindre des températures supérieures à 126,7 °C. Faites preuve de prudence et ne touchez pas les rouleaux.



**AVERTISSEMENT** : N'essayez pas d'entretenir ou de réparer vous-même cette plastifieuse.



**AVERTISSEMENT** : Ne branchez pas la plastifieuse à une prise électrique et n'essayez pas de l'utiliser avant d'avoir lu l'intégralité des instructions ci-après. Conservez ces instructions dans un endroit facile d'accès pour toute référence ultérieure.



**AVERTISSEMENT** : Cet appareil n'est pas destiné à être utilisé dans le champ de vision direct d'un poste de travail informatisé. Pour éviter les reflets gênants à un poste de travail informatisé, cet appareil doit être installé hors du champ de vision direct.

### Consignes de sécurité générales

- Utilisez cet appareil uniquement pour l'usage auquel il est destiné selon les spécifications indiquées dans le mode d'emploi.
- Gardez les mains, cheveux longs, vêtements amples et objets comme les colliers et cravates à l'écart de l'avant des rouleaux d'alimentation afin d'éviter qu'ils ne s'emmêlent ou y restent coincer.
- À l'ouverture de la porte située sur le dessus de la plastifieuse, évitez tout contact avec les rouleaux chauffants internes quand l'appareil est sous tension et pendant quelques minutes après sa mise hors tension. Ces rouleaux peuvent atteindre des températures supérieures à 126,7° C.
- Ne mettez pas les mains et doigts sur la trajectoire de la lame tranchante du dispositif de coupe de film située à la sortie du film.
- Ne placez pas l'appareil sur un chariot, un support ou une table instable. S'il est posé sur une surface instable, l'appareil risque de tomber et de provoquer de graves lésions corporelles. Lors du déplacement de l'appareil sur un chariot ou un support, évitez les arrêts brusques, les pressions excessives et les sols irréguliers.
- Ne neutralisez pas ni n'enlevez les dispositifs de sécurité mécaniques ou électriques comme les systèmes de verrouillage et de protection.
- N'insérez pas d'objets ne se prêtant pas à la plastification.
- N'exposez pas l'appareil aux liquides.



**MISE EN GARDE** : L'appareil doit être installé à proximité d'une prise de courant facilement accessible. N'utilisez pas de rallonge.

## Consignes de sécurité électrique

- L'appareil doit être installé à proximité d'une prise secteur avec mise à la terre facilement accessible.
- L'appareil doit être branché à une prise de courant correspondant à la tension précisée sur la plaque signalétique située à l'arrière de l'appareil.
- Débranchez l'appareil avant de le déplacer ou en cas d'inutilisation prolongée.
- N'utilisez pas l'appareil si le cordon d'alimentation ou la fiche est endommagée.
- Ne surchargez pas les prises électriques ou vous risquez de provoquer un incendie ou un choc électrique.
- Ne modifiez pas la fiche du cordon d'alimentation car elle est configurée pour une alimentation électrique spécifique.
- Cet appareil est destiné uniquement à un usage intérieur.
- Débranchez la fiche du cordon d'alimentation de la prise de courant et conservez le cordon d'alimentation en votre possession pendant le déplacement de l'appareil.
- N'utilisez pas l'appareil s'il ne fonctionne pas correctement ou est endommagé, ou si le cordon d'alimentation ou la fiche est endommagée. Contactez un réparateur GBC agréé si vous avez besoin d'assistance.

## Déchets d'équipements électriques et électroniques (DEEE)

À la fin de sa vie utile, votre produit est considéré comme un déchet d'équipements électriques et électroniques. Il est alors important de noter ce qui suit:

Les DEEE ne doivent pas être éliminés avec les déchets municipaux non triés. Ils doivent être collectés séparément en vue de leur démantèlement afin que leurs composants et matériaux puissent être recyclés, réutilisés et valorisés (en tant que combustibles pour valorisation énergétique dans la production d'électricité).

Les municipalités ont créé des points de collecte publics où vous pouvez déposer vos DEEE gratuitement.

Veillez déposer vos DEEE au point de collecte le plus proche de votre bureau ou de votre domicile.

Si vous avez de la difficulté à trouver un point de collecte, le détaillant qui vous a vendu le produit doit normalement accepter votre DEEE.

Si vous n'êtes plus en contact avec votre détaillant, veuillez contacter ACCO pour obtenir son assistance en la matière.

Le recyclage des DEEE a pour objectif la protection de l'environnement, la protection de la santé humaine, la préservation des matières premières, l'amélioration du développement durable et l'amélioration de l'approvisionnement de l'Union européenne en produits de base. Cela sera possible en récupérant les matières premières secondaires précieuses et en réduisant la quantité de déchets à éliminer. Vous pouvez contribuer à la réalisation de ces objectifs en déposant votre DEEE à un point de collecte.

Votre produit comporte le symbole DEEE (représentant une poubelle barrée). Ce symbole vous indique que le DEEE ne doit pas être éliminé avec les déchets municipaux non triés.

## Garantie

Le fonctionnement de cet appareil est garanti pendant deux ans à partir de la date d'achat, sous réserve d'un usage normal. Pendant la période de garantie, ACCO Brands Europe décidera, à son gré, de réparer ou de remplacer gratuitement l'appareil défectueux. Les défauts dus à un usage abusif ou un usage à des fins non appropriées ne sont pas couverts par cette garantie. Une preuve de la date d'achat sera exigée. Les réparations ou modifications effectuées par des personnes non autorisées par ACCO Brands Europe annuleront la garantie. Notre objectif est d'assurer le bon fonctionnement de nos produits conformément aux spécifications précisées. Cette garantie ne compromet pas les droits légaux des consommateurs au titre de la législation nationale en vigueur régissant la vente des biens de consommation.



<b>Guida Rapida</b>	<b>40</b>
<b>Pulsanti</b>	<b>41</b>
<b>Specifiche</b>	<b>41</b>
<b>Installazione</b>	<b>42</b>
<b>Guida funzioni</b>	<b>43</b>
<b>Funzionamento</b>	<b>45</b>
<b>Risoluzione dei problemi</b>	<b>47</b>
<b>Sicurezza</b>	<b>49</b>

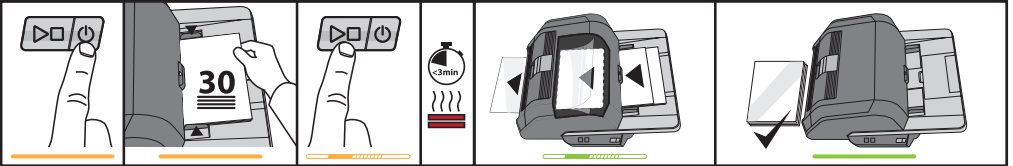


MODE	Feed Cut	
	Auto	Auto
	Manual	Auto

≤120gsm

$\leq$   
**30**  
 A3/A4

Auto Feed / Auto Cut Mode

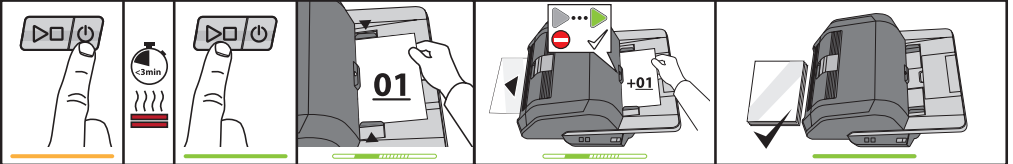


MODE	Feed Cut	
	Auto	Auto
	Manual	Auto

≥120gsm

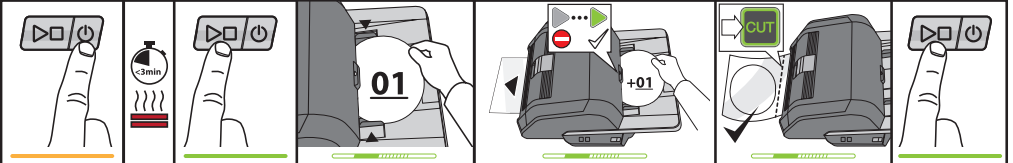
**01**  
 A3/A4

Manual Feed / Auto Cut Mode



MODE	Feed Cut	
	Auto	Auto
	Manual	Auto


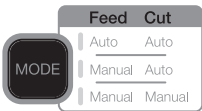




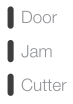
Manual Feed / Manual Cut Mode







## PULSANTI

 Run/Stop Power	<b>Power:</b> Accende l'unità e avvia il processo di riscaldamento. Premere di nuovo per spegnere. <b>Run/Stop:</b> Avvia e arresta la plastificazione.
	<b>Mode:</b> Premere per scorrere attraverso le varie modalità operative.
 Status	<b>Indicatore di stato:</b> Indica riscaldamento, macchina pronta, funzionamento ed errore.
	<b>Indicatore Ready alimentazione manuale:</b> Indica quando inserire il documento nelle modalità alimentazione manuale.
	<b>Attivazione dispositivo di taglio:</b> Premere nella modalità alimentazione manuale / taglio manuale per separare i documenti. <b>Importante! Premere questo pulsante solo a completamento della plastificazione.</b>
	<b>Stato della pellicola:</b> <i>Low</i> indicata che rimane una quantità sufficiente per plastificare circa 30 documenti. <i>Empty</i> indica che è necessario sostituire la cartuccia per plastificazione prima di continuare.
	<b>Stato di errore:</b> <i>Door</i> indica che lo sportello non è chiuso. <i>Jam</i> indica un inceppamento. <i>Cutter</i> indica un errore del dispositivo di taglio.

## SPECIFICHE

<b>Modello</b>	FOTON 30
<b>Velocità di esercizio</b>	75 microns: 700mm/min 100 microns: 670mm/min 125 microns: 650mm/min
<b>Modalità operative</b>	Alimentazione automatica / Taglio automatico Alimentazione manuale / Taglio automatico Alimentazione manuale / Taglio manuale
<b>Tempo di riscaldamento</b>	75 microns: 3 minutes 100 microns: 3,5 minutes 125 microns: 4 minutes
<b>Capacità max. alimentazione</b>	30 fogli (80 g/m <sup>2</sup> )
<b>Larghezza max. film</b>	306mm
<b>Spessore massimo documento</b>	250 g/m <sup>2</sup> (alimentazione manuale)
<b>Lunghezze documento supportate</b>	Minimo: 152mm Massimo: 432mm
<b>Larghezze documento supportate</b>	Minimo: 127mm Massimo: 297mm
<b>Peso supporto per alimentazione automatica</b>	Alta affidabilità: 64-120 g/m <sup>2</sup> Affidabilità variabile: 121-220 g/m <sup>2</sup>
<b>Peso supporto per alimentazione manuale</b>	64-250gsm
<b>Dimensioni</b> • Larghezza • Altezza • Profondità • Peso	Machine 57,7cm 24,5cm 47,8cm 9,5kgs
<b>Spegnimento automatico</b>	Dopo 15 minuti di inattività
<b>Requisiti elettrici</b>	220-240V, 50/60Hz
<b>Fusibile</b>	YSi (interno e non sostituibile)
<b>Ambiente operativo</b>	5-35C Altitudine max. 2.000 m

## INSTALLAZIONE

### Manutenzione e riparazione



**ATTENZIONE:** Non tentare di effettuare interventi di manutenzione o riparazioni. La mancata osservanza del presente avvertimento potrebbe comportare gravi lesioni personali oppure la morte.

Scollegare la spina dalla presa di corrente e contattare il servizio di assistenza clienti nel caso si sia verificato uno degli eventi riportati di seguito.

- Il cavo di alimentazione o la spina sono danneggiati.
- È entrato del liquido all'interno della plastificatrice.
- La plastificatrice presenta difetti in seguito a uso improprio.
- La plastificatrice non funziona come illustrato nel presente manuale di istruzioni.

### Installazione

- Eventuali danni subiti durante il trasporto vanno immediatamente notificati all'azienda di trasporti.
- Collocare la plastificatrice su una superficie piatta stabile in grado di reggere 23 kg di peso.
- La superficie deve essere alta almeno 0,75 m per assicurare una comoda postura durante il funzionamento. Tutti e quattro i piedini in gomma della plastificatrice devono appoggiare sulla superficie di supporto.
- Collegare il cavo di alimentazione a una fonte appropriata di alimentazione. Evitare di collegare altri dispositivi allo stesso circuito derivato al quale è connessa la plastificatrice in quanto ciò potrebbe far scattare senza necessità l'interruttore automatico o far saltare i fusibili.
- La plastificatrice va collocata in modo tale da non ostacolare l'uscita del film permettendo che possa cadere liberamente su una superficie piana. L'accumulo di documenti plastificati nel punto di uscita potrebbe causare inceppamenti.
- Evitare di collocare la plastificatrice vicino a fonti di calore o di freddo. Evitare altresì di posizionarla vicino a condizionatori d'aria calda o fredda.

### Manutenzione e riparazione

Per registrare il prodotto e attivare la garanzia, visitare il sito [www.gbceurope.com](http://www.gbceurope.com).

I dettagli di contatto del rappresentante dell'assistenza tecnica locale sono riportati sul sito [www.gbceurope.com](http://www.gbceurope.com).



I prodotti recanti questo simbolo sono conformi a tutti i regolamenti comunitari vigenti per lo Spazio economico europeo.



Utilizzare la plastificatrice esclusivamente in ambienti interni.

### Cura della plastificatrice Foton 30

L'unico intervento di manutenzione richiesto da parte dell'operatore è la periodica pulizia dei rulli. Mantenendo puliti i rulli si assicura che i documenti finiti non vengano danneggiati da sporco o da accumulo di adesivo.



**ATTENZIONE** - La seguente procedura viene eseguita quando la plastificatrice è calda. Prestare la massima attenzione.



**ATTENZIONE** - Non usare liquidi detergenti o solventi sui rulli.



**ATTENZIONE** - Non utilizzare film con adesivi contrassegnati da 'infiammabile'.



**ATTENZIONE** - Tenere la plastificatrice lontana da liquidi.

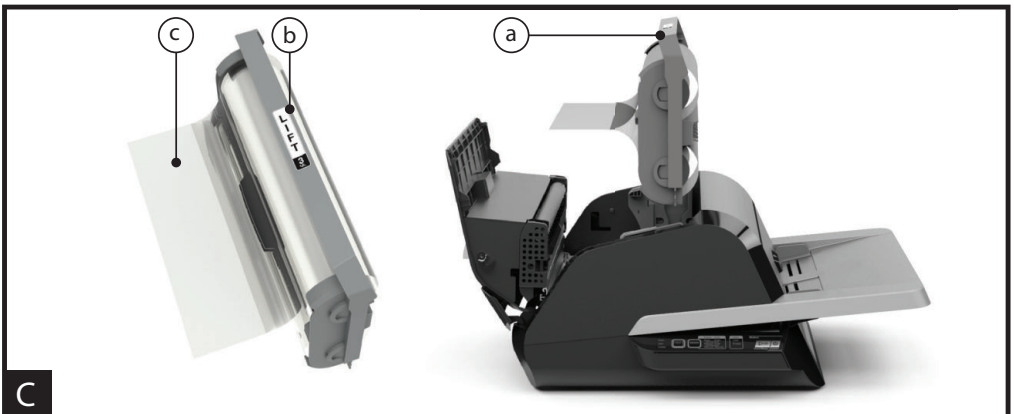
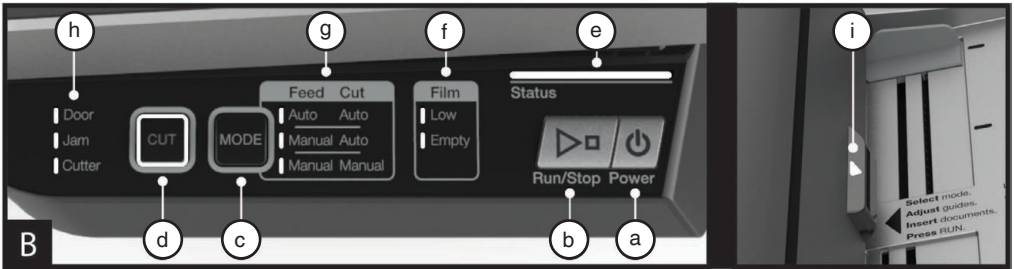
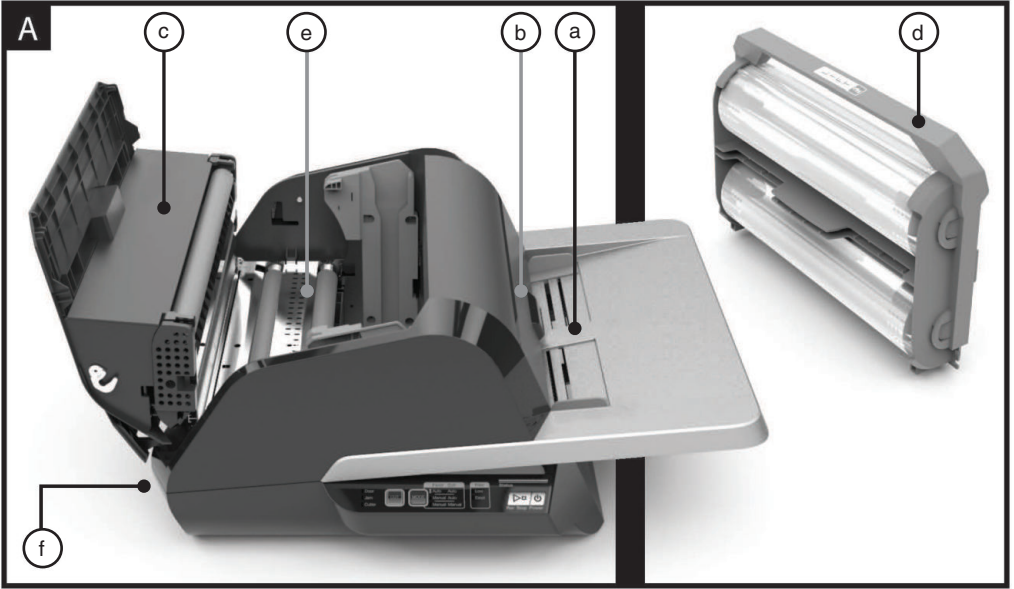
1. Accendere la plastificatrice e attendere fino a quando non sia completamente riscaldata.
2. Aprire il coperchio della plastificatrice utilizzando il dispositivo di bloccaggio color argento.
3. Pulire i rulli superiori con un panno pulito e umido privo di lanugine. In caso di accumulo di adesivo, è possibile usare alcol isopropilico al posto dell'acqua.
4. Sollevare il bordo di testa del film verso l'impugnatura della cartuccia.
5. Pulire i rulli inferiori con un panno pulito e umido privo di lanugine. In caso di accumulo di adesivo, è possibile usare alcol isopropilico al posto dell'acqua.
6. Mettere il bordo di testa del film nella posizione corretta e chiudere il coperchio.
7. Premere e mantener premuto il pulsante RUN/STOP per 5-7 secondi per far ruotare in avanti i rulli.
8. Aprire il coperchio della plastificatrice utilizzando il dispositivo di bloccaggio color argento.
9. Ripetere i passaggi da 3 a 6.

**N.B.** - Non usare pagliette di metallo per pulire i rulli riscaldati!



**ATTENZIONE** - Non plastificare materiali con brillantini e/o materiali metallici in quanto ciò potrebbe danneggiare i rulli.

I lati della macchina e il vassoio di alimentazione possono essere puliti utilizzando un panno privo di lanugine e un detergente delicato.



## GUIDA FUNZIONI

### A. PARTI E FUNZIONI DELLA PLASTIFICATRICE:

(Vedere immagine A sopra)

#### a) VASSOIO DI ALIMENTAZIONE E GUIDE LATERALI

- i) Posizionare il documento/i documenti da plastificare e usare le guide laterali per minimizzare la possibilità che il foglio entri storto. Estrarre l'estensione del vassoio per documenti di più grandi dimensioni.

#### b) ALIMENTATORE/COPERCHIO DELL'ALIMENTATORE

- i) Alimenta il documento nella plastificatrice. Una spia rossa sul coperchio indica un errato inserimento del documento. Aprire il coperchio e togliere il documento inserito in maniera errata.

#### c) COPERCHIO DELLA PLASTIFICATRICE

- i) Il coperchio consente di accedere alle parti interne della plastificatrice: rulli, cartuccia per la plastificazione, ecc.
- ii) Per aprire: sollevare il coperchio usando il dispositivo di bloccaggio color argento.
- iii) Per chiudere: abbassare lentamente il coperchio utilizzando il dispositivo di bloccaggio color argento e premere il dispositivo di bloccaggio fino a chiuderlo. NON premere sul coperchio della plastificatrice per chiuderlo.

#### d) CARTUCCIA PER LA PLASTIFICAZIONE

- i) Sostituire la cartuccia per la plastificazione a esaurimento del film oppure quando si richiede l'utilizzo di un diverso spessore del film. Vedere "CARICAMENTO DELLA CARTUCCIA PER LA PLASTIFICAZIONE" per informazioni dettagliate.

#### e) RULLI DELLA PLASTIFICATRICE

- i) I rulli riscaldati attivano l'adesivo sul film e applicano pressione per assicurare che il film aderisca al documento.

#### f) DISPOSITIVO DI TAGLIO AUTOMATICO

- i) Quando la plastificatrice funziona nella modalità Taglio automatico, il dispositivo di taglio rileva il bordo di testa e il bordo di coda del documento e taglia il film. Nella modalità Taglio manuale, il dispositivo taglia il film quando si preme il pulsante CUT.

## B. PANNELLO DI CONTROLLO

(Vedere immagine B sopra)

### PULSANTI

- a) **POWER** – Accende e spegne la macchina. Dopo 15 minuti di inattività, la plastificatrice si spegna automaticamente.
- b) **RUN/STOP** – Utilizzato per avviare e arrestare la plastificatrice.
  - i) Doppia funzione – Rotazione manuale – Premere continuamente il pulsante per far ruotare in avanti i rulli. Questa funzione può essere utilizzata per eliminare inceppamenti o rimuovere detriti durante l'operazione di pulizia.
- c) **MODE** – Consente agli utenti di selezionare le tre modalità operative.
  - i) Auto Feed / Auto Cut (Alimentazione automatica / Taglio automatico) – Migliore modalità per documenti di formato standard stampati su carta da 80-120 g/m<sup>2</sup>.

- ii) Manual Feed / Auto Cut (Alimentazione manuale / Taglio automatico) – Migliore modalità per documenti di formato standard stampati su carta più pesante per la quale si hanno difficoltà nell'usare la funzione Alimentazione automatica.

- iii) Manual Feed / Manual Cut (Alimentazione manuale / Taglio manuale) – Migliore modalità per documenti di forma irregolare e non rettangolare.

- d) **CUT** – Premendo questo pulsante si attiva il dispositivo di taglio che taglia il film una volta. Questo pulsante viene principalmente utilizzato nella modalità Taglio manuale.

### SPIE

- e) **STATUS** – Indica lo stato della macchina.
  - i) Verde fisso = plastificatrice pronta per l'uso.
  - ii) Sequenza di lampeggio in verde = plastificatrice in funzione.
  - iii) Giallo fisso = plastificatrice in fase di riscaldamento.
  - iv) Sequenza di lampeggio in giallo = plastificatrice in fase di riscaldamento e comando RUN accettato. L'operazione di plastificazione inizierà non appena viene raggiunta la temperatura corretta.
  - v) Rosso fisso = stato di errore
- f) **FILM** – La spia LED indica che il film sta per esaurirsi (circa 30% rimanente) oppure si è esaurito.
  - i) Low = Spia LED gialla.
  - ii) Empty = Spia LED rossa.
- g) **MODE** – La spia LED verde indica la modalità operativa selezionata per la plastificatrice.
- h) **MESSAGGIO DI ERRORE** – Indica messaggi di errore che richiedono un intervento per risolvere un problema.
  - i) DOOR: uno o due coperchi sono aperti.
  - ii) JAM: si possono verificare due tipi di inceppamenti.
    1. Inceppamento della plastificatrice: premere e mantenere premuto il pulsante RUN per far ruotare in avanti i rulli ed eliminare l'inceppamento.
    2. Inceppamento dell'alimentatore: aprire il coperchio dell'alimentatore e rimuovere il documento.
  - iii) CUTTER: il dispositivo di taglio non riesce a completare l'intero ciclo di taglio.
  - iv) SPIA ALIMENTAZIONE MANUALE – Indica quando la macchina è pronta illuminandosi di VERDE. Il documento successivo può quindi essere alimentato manualmente. È situata sul coperchio dell'alimentatore.

## C. CARTUCCIA PER LA PLASTIFICAZIONE

(Vedere immagine C sopra)

- a) **CARTUCCIA** – È inserita nella plastificatrice.
- b) **ETICHETTA DELLA CARTUCCIA** – Indica lo spessore del film. Situata sulla parte superiore dell'impugnatura.
- c) **BORDO DI TESTA DEL FILM** – Il bordo di testa presigliato del film. Questo bordo deve essere rivolto verso l'area di uscita dei documenti della plastificatrice.



## FUNZIONAMENTO

### MODALITÀ OPERATIVE:

#### ALIMENTAZIONE AUTOMATICA / TAGLIO AUTOMATICO (AUTO FEED / AUTO CUT)

**N.B.** - Migliore modalità per documenti di formato standard stampati su carta da 80-120 g/m<sup>2</sup>.

1. Premere il pulsante POWER per accendere la plastificatrice. La plastificatrice si avvierà automaticamente nella modalità Alimentazione automatica / Taglio automatico.
2. Mettere il documento/i documenti nel VASSOIO DI ALIMENTAZIONE.
3. Regolare le guide laterali in modo che siano a contatto con il documento/i documenti per minimizzarne la possibilità che venga laminato storto.
4. Premere il pulsante RUN.

**N.B.** - Se si preme RUN prima che la macchina sia completamente riscaldata, sull'indicatore di stato apparirà una sequenza di lampeggio in GIALLO. La plastificatrice ha accettato il comando e la plastificazione verrà avviata automaticamente quando la macchina raggiunge la temperatura corretta.

5. Il documento verrà plastificato automaticamente e tagliato automaticamente mentre esce dalla plastificatrice.

**N.B.** - Se si preme STOP mentre il documento viene ancora alimentato attraverso la plastificatrice, l'operazione di plastificazione verrà completata prima che si arresti la macchina.

#### ALIMENTAZIONE MANUALE / TAGLIO AUTOMATICO (MANUAL FEED / AUTO CUT)

**N.B.** - Migliore modalità per documenti di formato standard rettangolari stampati su carta più pesante per la quale si hanno difficoltà nell'usare la funzione Alimentazione automatica.

1. Premere il pulsante POWER per accendere la plastificatrice.
2. Selezionare la modalità Alimentazione manuale / Taglio automatico premendo il pulsante MODE.
3. Attendere che la macchina raggiunga la temperatura corretta: l'indicatore di stato è verde.
4. Caricare nel vassoio di alimentazione solo il primo documento. Il documento va posizionato al centro del vassoio di alimentazione, inserendo una lunghezza sufficiente per consentire all'alimentatore di "afferrarlo".
5. Premere il pulsante RUN. La plastificatrice inizia ad alimentare il documento.
6. Una volta iniziata l'operazione di plastificazione del primo documento, attendere che la spia ALIMENTAZIONE MANUALE si illumini di verde. Una volta illuminata, è possibile alimentare manualmente il documento successivo. Ripetere questa procedura, un foglio alla volta, fino a completamento del lavoro.
7. Il documento alimentato manualmente verrà plastificato e tagliato automaticamente mentre esce dalla plastificatrice.
8. Una volta che l'ultimo documento è uscito dalla plastificatrice ed è stato tagliato, la macchina si arresterà automaticamente.

#### ALIMENTAZIONE MANUALE / TAGLIO MANUALE (MANUAL FEED / MANUAL CUT)

**N.B.** - Migliore modalità per documenti di forma irregolare e non rettangolari per i quali si hanno difficoltà nell'usare la funzione Alimentazione automatica.

1. Premere il pulsante POWER per accendere la plastificatrice.

2. Selezionare la modalità Alimentazione manuale / Taglio manuale premendo il pulsante MODE.

3. Attendere che la macchina raggiunga la temperatura corretta: l'indicatore di stato è verde.

4. Caricare nel vassoio di alimentazione solo il primo documento. Il documento va posizionato al centro del vassoio di alimentazione, inserendo una lunghezza sufficiente per consentire all'alimentatore di "afferrarlo".

5. Premere il pulsante RUN. La plastificatrice inizia ad alimentare il documento.

6. Una volta iniziata l'operazione di plastificazione del primo documento, attendere che la spia ALIMENTAZIONE MANUALE si illumini di verde. Una volta illuminata, è possibile alimentare manualmente il documento successivo. Ripetere questa procedura, un foglio alla volta, fino a completamento del lavoro.

7. Premere il pulsante CUT per attivare il dispositivo di taglio quando si desidera tagliare il film.

**N.B.** - Si raccomanda di premere il pulsante CUT quando si è visto uscire dalla macchina l'intero documento per evitare di tagliare il documento stesso.

8. Una volta che l'ultimo documento è uscito dalla plastificatrice, premere il pulsante STOP per arrestare il processo di plastificazione.

9. Una volta terminata l'operazione di plastificazione, premere il pulsante CUT per tagliare il restante film uscito dalla macchina.

#### CARICAMENTO DELLA CARTUCCIA PER PLASTIFICAZIONE

*(Vedere le immagini 1-4 che illustrano questo processo)*



**ATTENZIONE** - La seguente procedura può essere eseguita quando la plastificatrice è calda. Prestare la massima attenzione.

1. Aprire il coperchio della plastificatrice - Aprire il coperchio della plastificatrice sollevando completamente il dispositivo di bloccaggio color argento sulla parte superiore della macchina e tirandolo verso l'alto fino a quando il coperchio non sia completamente aperto.
2. Rimuovere la cartuccia - Tirare verso l'alto l'impugnatura della cartuccia per rimuovere la cartuccia installata.

**ATTENZIONE** - Le cartucce piene tendono a essere pesanti.

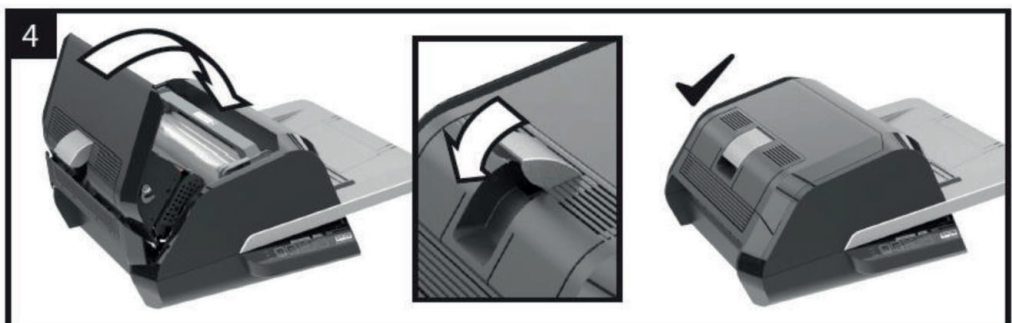
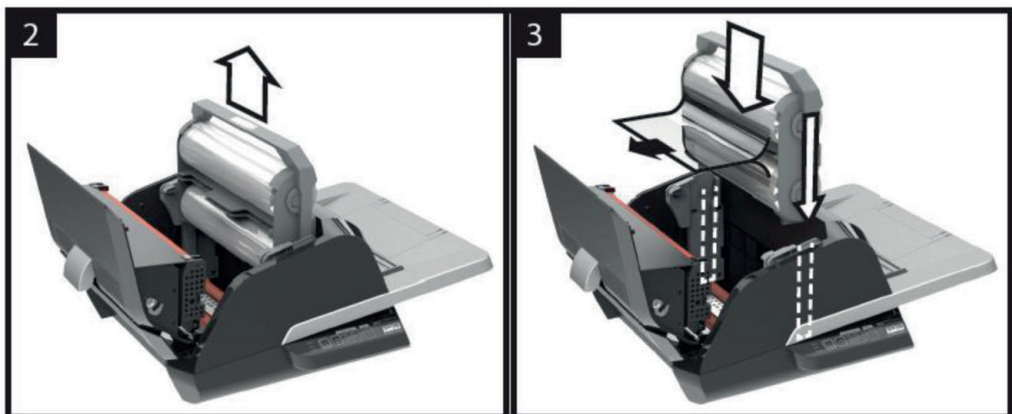
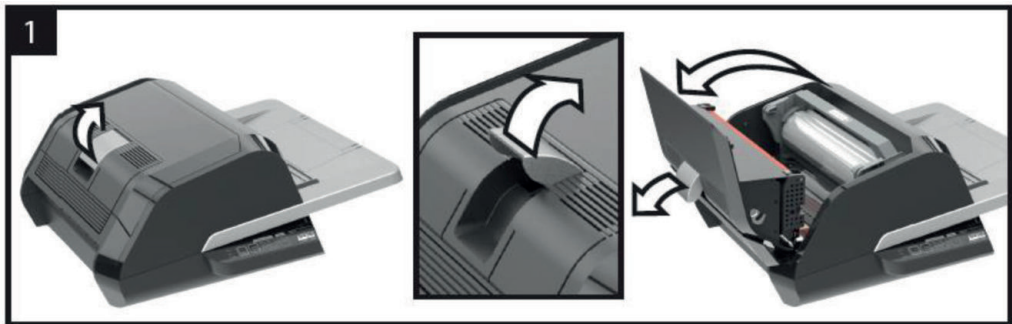
3. Inserire la cartuccia - Inserire la cartuccia sostitutiva allineando i bordi della cartuccia sopra le guide grigie e abbassandola.

**N.B.** - La cartuccia va inserita in modo tale che il bordo di testa del film sia rivolto verso l'area di uscita del documento della macchina e non tocchi l'alimentatore.

4. Chiudere il coperchio della plastificatrice - Chiudere il coperchio della plastificatrice abbassandolo lentamente e chiudendo completamente il dispositivo di bloccaggio color argento sulla parte superiore. NON premere sul coperchio della plastificatrice per chiuderlo, bensì utilizzare il dispositivo di bloccaggio.

5. Assicurare che la cartuccia sia completamente inserita - La spia di Film Empty (esaurimento film) sarà illuminata quando non è inserita alcuna cartuccia o se la cartuccia non è stata inserita correttamente.

**N.B.** - Quando raggiunge la temperatura corretta, la plastificatrice alimenta circa 23 cm di film attraverso i rulli per evitare che si formino grinzature sul film.







## RISOLUZIONE DEI PROBLEMI

SINTOMO	EVENTUALE CAUSA	SOLUZIONE
La plastificatrice non si accende quando si preme il pulsante Power.	È possibile che il cavo di alimentazione non sia completamente inserito nella presa.	Inserire completamente la spina nella presa elettrica. Controllare che la presa di corrente sia alimentata.
Indicatore di stato rosso.	Spia errore coperchio ("Door") rossa.  Spia errore inceppamento carta ("Jam") rossa.  Spia Film Empty (esaurimento film) rossa.  Spia errore dispositivo di taglio ("Cutter") rossa.	Rimuovere qualsiasi documento dal vassoio di alimentazione. Aprire e chiudere sia il coperchio della plastificatrice che quello dell'alimentatore. Controllare che i coperchi siano completamente chiusi.  Rimuovere qualsiasi documento dal vassoio di alimentazione. Aprire e chiudere il coperchio dell'alimentatore.  Se queste operazioni non risolvono il problema, premere e mantener premuto il pulsante RUN per 10 secondi per far avanzare il film. Il film dovrebbe iniziare a uscire dalla macchina e si dovrebbe eliminare l'inceppamento.  Qualora l'inceppamento non sia stato eliminato, aprire il coperchio della plastificatrice e verificare se il bordo di testa del film si è impigliato in una parte della macchina o nei rulli. <b>NON TAGLIARE</b> il film. Sollevare il bordo di testa del film e metterlo nella posizione corretta. Chiudere il coperchio della plastificatrice e tener premuto il tasto RUN per 10 secondi.  La plastificatrice ha rilevato l'etichetta della cartuccia indicante l'esaurimento del film sul rullo. Sostituire la cartuccia del film vuota con una piena e chiudere il coperchio della plastificatrice.  Premere una volta il pulsante CUT per attivare il dispositivo di taglio. Qualora il dispositivo di taglio non sia stato ancora attivato, seguire la procedura riportata di seguito.  Premere e mantener premuto il pulsante RUN per 10-20 secondi per far avanzare il film. Qualora vi sia un documento plastificato nell'area di uscita della macchina, tenere premuto il pulsante RUN fino a quando il documento non sia completamente uscito dalla plastificatrice. Premere ora il pulsante CUT per verificare se il dispositivo di taglio è stato attivato.  Se il film non dovesse avanzare o il dispositivo di taglio non dovesse funzionare dopo aver seguito la procedura sopra illustrata, contattare il fornitore.
Formazione di grinze sul documento plastificato.	Errato allineamento del film.	Premere e mantener premuto il pulsante RUN per far avanzare il film. Una volta che il film è avanzato di 125 - 500 mm, le grinze dovrebbero essere scomparse. Se le grinze sono scomparse, premere il pulsante CUT e iniziare l'operazione di plastificazione.  Se le grinze permangono, aprire il coperchio della plastificatrice. Afferrare il film che esce dalla plastificatrice e tenerlo teso mentre si chiude il coperchio della plastificatrice. Ripetere i passaggi sopra indicati e le grinze dovrebbero scomparire.

SINTOMO	EVENTUALE CAUSA	SOLUZIONE
I bordi del film non sono allineati in modo uniforme.	I rulli superiore e inferiore del film non sono abbinati correttamente.	<p>Premere e mantener premuto il pulsante RUN per far avanzare il film. Una volta che il film è avanzato di 125 mm, i bordi dovrebbero essere allineati in modo uniforme. Se i bordi del film sono ora allineati in modo uniforme, premere il pulsante CUT e iniziare l'operazione di plastificazione.</p> <p>Se i bordi del film non sono ancora allineati in modo uniforme, aprire il coperchio della plastificatrice. Afferrare il film che esce dalla plastificatrice e tenerlo teso mentre si chiude il coperchio della plastificatrice.</p>
Il documento è storto nel film quando esce dalla plastificatrice.	Il documento è stato alimentato storto.	<p>Prima di caricare la pila di fogli dare dei leggeri colpetti sul bordo di testa di tutta la pila su una superficie piana e quindi ripetere l'operazione sul bordo inferiore e superiore per allineare correttamente i fogli.</p> <p>Inserire il supporto nel vassoio di alimentazione e spostare le guide laterali portandole a contatto con il bordo del documento da plastificare.</p>
<p>Frequente doppia alimentazione.</p> <p>Frequenti errati inserimenti.</p>	<p>Forte carico statico dei documenti da plastificare.</p> <p>I rulli non riescono ad afferrare e alimentare i supporti.</p>	<p>Aprire a ventaglio i supporti oppure metterli in un pareggiatore per carta prima di inserirli nella plastificatrice. Se il problema persiste, usare la modalità Alimentazione manuale / taglio automatico.</p>





## SICUREZZA

### Sicurezza

**GBC ATTRIBUISCE NOTEVOLE IMPORTANZA ALLA SICUREZZA DELL'OPERATORE E DI ALTRE PERSONE. ALCUNI IMPORTANTI MESSAGGI RELATIVI ALLA SICUREZZA SONO RIPORTATI IN QUESTO MANUALE DI ISTRUZIONI E SULLA MACCHINA. PRIMA DI INSTALLARE O UTILIZZARE QUESTA PLASTIFICATRICE, SI PREGA DI LEGGERE E SEGUIRE ATTENTAMENTE TUTTI GLI AVVISI DI SICUREZZA RIPORTATI NEL PRESENTE CAPITOLO.**

Osservare tutte le informazioni sulla sicurezza fornite. Osservare tutte le precauzioni di sicurezza. Non rimuovere mai le precauzioni di sicurezza o altre informazioni dalla macchina.

Leggere tutte le istruzioni e conservarle per futura consultazione.



Il simbolo di pericolo precede tutti gli avvisi di sicurezza riportati nel presente manuale. Questo simbolo indica un rischio potenziale per l'operatore o per terzi, o un danno potenziale alla macchina o ad altri oggetti.



Questo simbolo di pericolo indica un potenziale pericolo di folgorazione. Mette in guardia l'operatore dall'aprire la plastificatrice ed esporsi a tensioni pericolose.

LE SEGUENTI AVVERTENZE SONO RIPORTATE SULLA PLASTIFICATRICE FOTON 30.



Non aprire. Non vi è alcun componente riparabile da parte dell'utente all'interno della macchina. Per operazioni di manutenzione o riparazione rivolgersi a personale qualificato.



**ATTENZIONE** - Superficie calda: i rulli della plastificatrice possono raggiungere temperature superiori a 126,7°C. Prestare attenzione e non toccare i rulli.



**ATTENZIONE** - Non tentare di effettuare interventi di manutenzione o riparazioni.



**ATTENZIONE** - Non collegare la plastificatrice alla rete elettrica o tentare di utilizzare la macchina prima di aver letto completamente il presente manuale di istruzioni. Conservare queste istruzioni in un luogo accessibile per un'eventuale consultazione futura.



**ATTENZIONE** - Questo apparecchio non è destinato all'uso nel campo visivo diretto di postazioni di lavoro informatiche. Per evitare fastidiosi riflessi sulle postazioni di lavoro informatiche, non collocare la plastificatrice nel loro campo visivo diretto.

### Precauzioni generali

- Usare la plastificatrice esclusivamente per le funzioni per cui è stata progettata in conformità alle specifiche riportate nelle istruzioni per l'uso.
- Tenere mani, capelli lunghi, capi di abbigliamento sciolti e accessori come catenine o cravatte lontani dalla parte anteriore dei rulli di alimentazione per evitare che si impiglino o rimangano intrappolati.
- Quando si apre lo sportello sulla parte superiore della plastificatrice, evitare il contatto con i rulli interni quando la macchina è accesa oppure immediatamente dopo averla spenta. I rulli possono raggiungere temperature superiori a 126,7°C.
- Tenere mani e dita lontane dal percorso della lama affilata del dispositivo di taglio della pellicola posizionata all'uscita del documento.
- Non collocare la plastificatrice su un carrello, supporto o tavolo instabile. Una superficie instabile potrebbe far cadere la plastificatrice comportando gravi lesioni personali. Evitare arresti improvvisi, forza eccessiva e pavimenti sconnessi quando la plastificatrice viene spostata con l'uso di carrelli o supporti.
- Non bypassare o rimuovere dispositivi di sicurezza elettrici o meccanici come, ad esempio, dispositivi di blocco, schermi e protezioni.
- Non inserire materiali non adatti alla plastificazione.
- Tenere la plastificatrice lontana da liquidi.



**ATTENZIONE** - La presa di corrente deve essere posizionata vicino alla perforatrice ed essere facilmente accessibile. Non usare una prolunga.

## Precauzioni relative all'alimentazione elettrica

- L'unità deve essere collegata a una presa elettrica facilmente accessibile e dotata di messa a terra posta nelle vicinanze della macchina.
- La plastificatrice deve essere collegata a una tensione di alimentazione corrispondente alle specifiche elettriche riportate sulla targhetta dei dati posta sul retro della macchina.
- Staccare la spina dalla presa di corrente prima di spostare la macchina o quando non se ne prevede l'uso per un periodo di tempo prolungato.
- Non utilizzare la plastificatrice se la spina o il cavo di alimentazione risulta danneggiata/o.
- Non sovraccaricare le prese di corrente oltre la propria capacità poiché questo può causare incendi o pericolo di folgorazione.
- Non modificare la spina in quanto è configurata per la fonte di alimentazione appropriata.
- La macchina è stata progettata unicamente per l'uso in ambienti interni.
- Scollegare la spina dalla presa di corrente alla quale è collegata e portarsi appresso il cavo durante lo spostamento della plastificatrice.
- Non utilizzare la plastificatrice con il cavo di alimentazione o la spina danneggiati, in caso di malfunzionamento o se la plastificatrice è stata danneggiata. Rivolgersi a un rappresentante dell'assistenza tecnica GBC autorizzato per richieste di assistenza.

## Rifiuti di apparecchiature elettriche ed elettroniche (RAEE)

Al termine della loro vita utile, i prodotti acquistati verranno considerati rifiuti di apparecchiature elettriche ed elettroniche (RAEE) ed è pertanto importante prendere atto di quanto di seguito riportato.

I RAEE non devono essere smaltiti come rifiuti urbani misti ma vanno raccolti separatamente in modo tale da essere smontati per consentire il riciclaggio, riutilizzo e recupero (come carburante ai fini del recupero di energia nella produzione di energia elettrica) dei relativi componenti e materiali.

Punti pubblici di raccolta sono stati predisposti dalle amministrazioni comunali per la raccolta gratuita dei RAEE. I RAEE vanno smaltiti presso il centro di raccolta più vicino all'abitazione o all'ufficio dell'utente.

Qualora si incontrino difficoltà nel trovare un centro di raccolta abilitato al ricevimento dei RAEE, il rivenditore al dettaglio presso cui si è acquistato il prodotto dovrebbe accettare tali rifiuti.

Nel caso in cui l'utente non si sia più in contatto con il proprio rivenditore, è possibile rivolgersi ad ACCO per ottenere informazioni a riguardo.

Il riciclaggio dei RAEE è volto a proteggere l'ambiente e la salute umana, salvaguardare le materie prime, migliorare lo sviluppo sostenibile e garantire un migliore approvvigionamento di materie prime nel territorio dell'Unione europea. Tali obiettivi potranno essere conseguiti recuperando materie prime secondarie di valore e riducendo il volume dei rifiuti da smaltire. I consumatori possono contribuire al raggiungimento di questi obiettivi provvedendo a smaltire i propri RAEE presso gli appositi centri di raccolta. Sui prodotti acquistati è riportato il simbolo RAEE (cassonetto barrato). Tale simbolo indica che i RAEE non vanno smaltiti come rifiuti urbani misti.

## Garanzia

Il funzionamento di questa macchina è garantito per due anni dalla data di acquisto, subordinatamente a uso normale. Durante il periodo di garanzia, ACCO Brands Europe provvederà, a propria discrezione, a riparare o sostituire gratuitamente la macchina difettosa. Difetti risultanti dall'uso improprio o dall'uso per scopi diversi da quelli per cui il prodotto è stato concepito non sono coperti dalla garanzia. Sarà necessario fornire una prova della data di acquisto. Riparazioni o modifiche effettuate da persone non autorizzate da Acco Brands Europe invalideranno la garanzia. ACCO Brands Europe si propone di assicurare che i propri prodotti funzionino in conformità alle caratteristiche tecniche indicate. La presente garanzia non pregiudica alcun diritto riconosciuto ai consumatori dalla normativa nazionale vigente in materia di vendita di beni.

ES

<b>Guía de inicio rápido</b>	<b>52</b>
<b>Controles</b>	<b>53</b>
<b>Especificaciones</b>	<b>53</b>
<b>Instalación</b>	<b>54</b>
<b>Guía de funciones</b>	<b>55</b>
<b>Funcionamiento</b>	<b>57</b>
<b>Resolución de problemas</b>	<b>59</b>
<b>Seguridad</b>	<b>61</b>



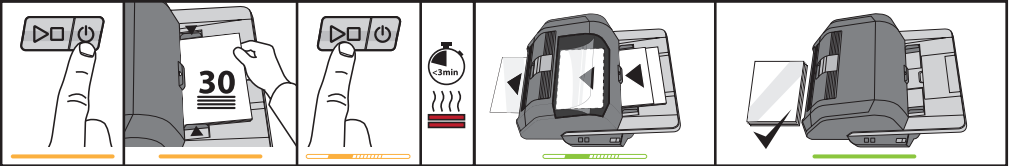
MODE	Feed Cut	
	Auto	Auto
	Manual	Auto

≤120gsm

30

A3/A4

Auto Feed / Auto Cut Mode



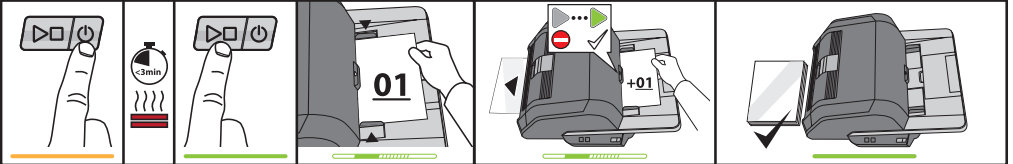
MODE	Feed Cut	
	Auto	Auto
	Manual	Auto

≥120gsm

01

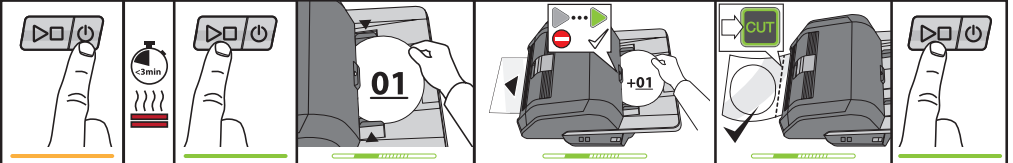
A3/A4

Manual Feed / Auto Cut Mode


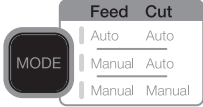



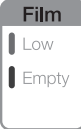
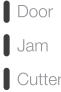


MODE	Feed Cut	
	Auto	Auto
	Manual	Auto

Manual Feed / Manual Cut Mode



## CONTROLES

 <p>Run/Stop Power</p>	<p><b>Power:</b> enciende la unidad e inicia el proceso de calentamiento. Vuélvalo a pulsar para apagar la unidad.</p> <p><b>Run/Stop:</b> Inicia y detiene la plastificación.</p>
	<p><b>Mode:</b> Pulse para acceder a los distintos modos de funcionamiento.</p>
 <p>Status</p>	<p><b>Indicador de estado:</b> indica los estados calentando, Máquina preparada, Funcionando y Error.</p>
	<p><b>Indicador de Máquina preparada para alimentación manual:</b> indica cuándo introducir los documentos en modo de alimentación manual.</p>
	<p><b>Activa la cuchilla:</b> pulse mientras se encuentra en Modo de alimentación manual / corte manual para separar los documentos.</p> <p><b>¡Importante! Antes de utilizarla, compruebe que ha finalizado la plastificación.</b></p>
	<p><b>Estado de la película:</b></p> <p><i>Low</i> indica que queda película para, aproximadamente, 30 documentos.</p> <p><i>Empty</i> indica que debe sustituirse el cartucho de película para continuar.</p>
	<p><b>Estados de error:</b></p> <p><i>Door</i> indica que una puerta está abierta.</p> <p><i>Jam</i> indica un atasco de documentos.</p> <p><i>Cutter</i> indica un error en la cuchilla</p>

## ESPECIFICACIONES

<p><b>Modelo</b></p>	<p>FOTON 30</p>
<p><b>Velocidad de funcionamiento</b></p>	<p>75 micras: 700 mm/min 100 micras: 670 mm/min 125 micras: 650 mm/min</p>
<p><b>Modos de funcionamiento</b></p>	<p>Alimentación automática / Corte automático</p> <p>Alimentación manual / Corte automático</p> <p>Alimentación manual / Corte manual</p>
<p><b>Tiempo de calentamiento.</b></p>	<p>75 micras: 3 minutos 100 micras: 3,5 minutos 125 micras: 4 minutos</p>
<p><b>Capacidad máxima de alimentación</b></p>	<p>30 hojas (papel de 80 g/m<sup>2</sup>)</p>
<p><b>Anchura máxima de la película</b></p>	<p>306mm</p>
<p><b>Grosor máximo de documento</b></p>	<p>250 g/m<sup>2</sup> (Alimentación manual)</p>
<p><b>Longitud de los documentos</b></p> <p><b>Anchura de los documentos</b></p>	<p>Mínimo: 152 mm Máximo: 432 mm</p> <p>Mínimo: 127 mm Máximo: 297 mm</p>
<p><b>Peso del soporte para alimentación automática</b></p> <p><b>Peso del soporte para alimentación manual</b></p>	<p>Alta fiabilidad: 64-120 g/m<sup>2</sup></p> <p>Fiabilidad variable: 121-220 g/m<sup>2</sup></p> <p>64-250 g/m<sup>2</sup></p>
<p><b>Dimensiones</b></p> <ul style="list-style-type: none"> <li>• Anchura</li> <li>• Altura</li> <li>• Profundidad</li> <li>• Peso</li> </ul>	<p>Máquina</p> <p>57,7 cm</p> <p>24,5 cm</p> <p>47,8 cm</p> <p>9,5 kg</p>
<p><b>Apagado automático</b></p>	<p>Después de 15 minutos de inactividad</p>
<p><b>Requisitos eléctricos</b></p>	<p>220-240V, 50/60Hz</p>
<p><b>Fusible</b></p>	<p>Sí (interno y no sustituible)</p>
<p><b>Entorno de funcionamiento</b></p>	<p>5-35 °C</p> <p>Altitud máxima de 2.000 m</p>

## INSTALACIÓN

### Mantenimiento



**ADVERTENCIA:** No intente revisar ni reparar la plastificadora usted mismo. La no observación de esta advertencia podría causar lesiones graves o incluso la muerte.

Desconecte el enchufe del suministro eléctrico y póngase en contacto con el Servicio de atención al cliente en caso de que se produzcan una o más de las situaciones siguientes.

- El cable de suministro eléctrico o la clavija están dañados.
- Se ha derramado algún líquido sobre la plastificadora.
- Tras una manipulación incorrecta, la plastificadora no funciona correctamente.
- La plastificadora no funciona del modo descrito en este manual de instrucciones.

### Instalación

- Debe poner en conocimiento de la empresa transportista cualquier daño que se haya producido durante el traslado del producto.
- Coloque la plastificadora sobre una superficie plana estable con capacidad para soportar un peso de 23 kg.
- Para garantizar una posición cómoda durante su funcionamiento, la superficie debe tener una altura mínima de 0,75 m. Los cuatro pies de goma deben estar apoyados sobre la superficie de soporte.
- Conecte el cable de alimentación a la fuente adecuada de suministro eléctrico. Evite conectar otros equipos al circuito derivado al que esté conectada la plastificadora, puesto que esto puede provocar desconexiones por interferencias del disyuntor o puede quemar los fusibles.
- La plastificadora debe colocarse de tal modo que permita que la película que salga de la máquina caiga libremente a una superficie plana. La acumulación de artículos plastificados en la salida de la plastificadora puede causar un atasco.
- Evite colocar la plastificadora cerca de fuentes de calor o frío. Evite colocar la plastificadora en el recorrido directo de aire caliente, refrigerado o procedente de un ventilador.

### Cuidado de su Foton 30

El único mantenimiento que debe realizar el operador es la limpieza periódica de los rodillos. Mantener limpios los rodillos garantiza que los artículos terminados no se dañarán por las acumulaciones de polvo ni de adhesivo.



**PRECAUCIÓN:** el siguiente proceso se realiza cuando la plastificadora está caliente. Debe tener mucho cuidado.



**ADVERTENCIA:** no utilice disolventes ni líquidos limpiadores en los rodillos.



**ADVERTENCIA:** no intente utilizar bobinas de película con adhesivos marcados como "Inflamables".



**ADVERTENCIA:** No exponga la plastificadora a ningún líquido.

1. Encienda la máquina y espere hasta que se caliente completamente.
2. Abra la tapa de la plastificadora utilizando el cierre plateado.
3. Limpie los rodillos superiores utilizando un paño limpio, húmedo y sin pelusas. Si hay acumulaciones de adhesivo, utilice alcohol isopropílico en lugar de agua.
4. Levante el borde delantero de la película hacia el asa del cartucho.
5. Limpie los rodillos inferiores utilizando un paño limpio, húmedo y sin pelusas. Si hay acumulaciones de adhesivo, utilice alcohol isopropílico en lugar de agua.
6. Coloque el borde delantero de la película en la posición correcta y cierre la tapa.
7. Mantenga pulsado el botón RUN/STOP durante 5-7 segundos para hacer girar los rodillos hacia delante.
8. Abra la tapa de la plastificadora utilizando el cierre plateado.
9. Repita los pasos 3 – 6.

**Nota:** ¡No use estropajos metálicos para limpiar los rodillos térmicos!



**ADVERTENCIA:** no plastifique artículos que tengan purpurina ni artículos metálicos. Podrían dañar los rodillos.

Las cubiertas laterales y la bandeja de alimentación pueden limpiarse con un paño sin pelusas y detergente suave.

### Mantenimiento

**Para registrar y activar la garantía, visite la dirección [www.gbceurope.com](http://www.gbceurope.com).**

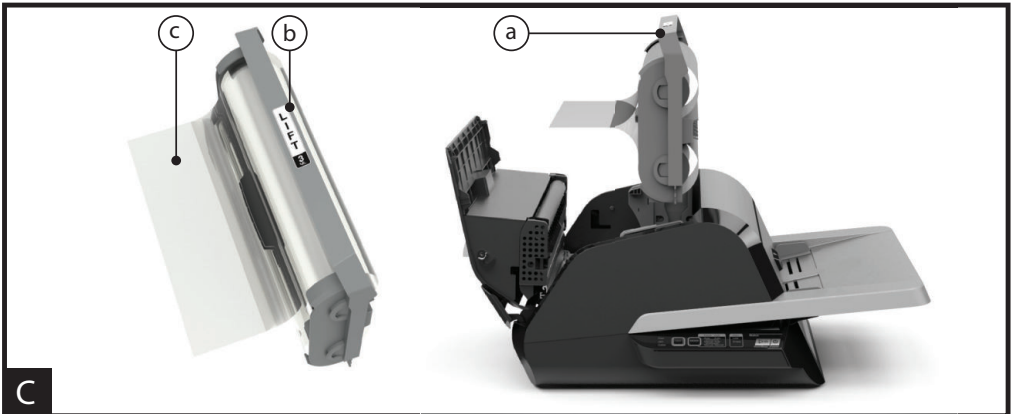
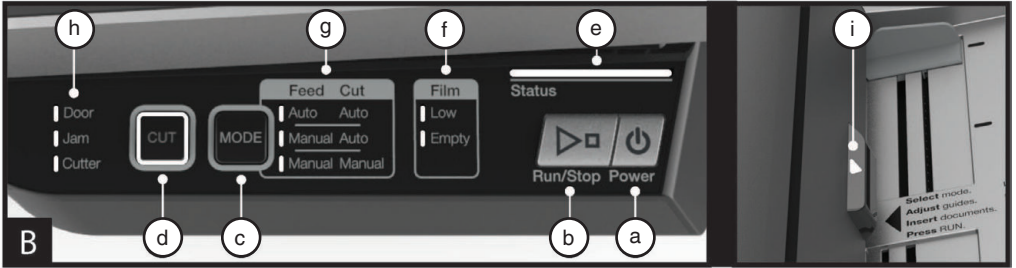
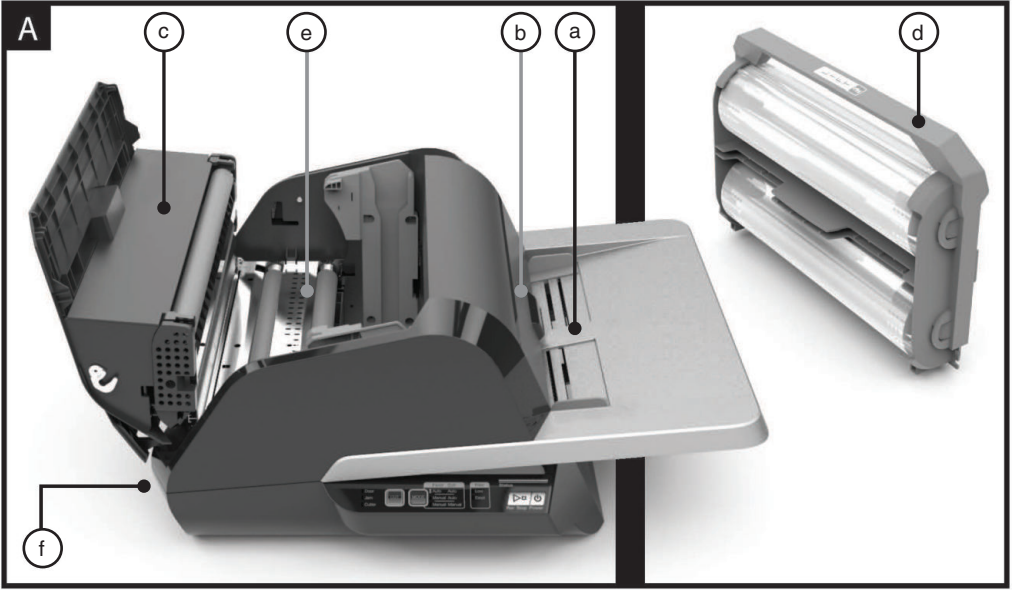
**Para obtener información sobre su representante local de mantenimiento y reparación, visite [www.gbceurope.com](http://www.gbceurope.com)**



Los productos marcados con este símbolo cumplen todos los Reglamentos comunitarios para el Espacio Económico Europeo.



Utilice la plastificadora únicamente en interiores.



## GUÍA DE FUNCIONES

### A. FAMILIARÍCESE CON SU PLASTIFICADORA:

(Mostrada en la imagen A anterior)

#### a) BANDEJA DE ALIMENTACIÓN Y GUÍAS:

- i) Coloque el/los documento(s) que desea plastificar y utilice las guías para asegurar su correcta alineación. Extraiga la extensión para documentos más largos.

#### b) ALIMENTADOR/PUERTA DEL ALIMENTADOR:

- i) Introduce el documento en la plastificadora. Una luz roja situada en la puerta indicará si se ha producido un fallo de alimentación de documentos. Abra la puerta para eliminar cualquier fallo de alimentación de documentos.

#### c) TAPA DE LA PLASTIFICADORA:

- i) La tapa da acceso a las partes internas de la plastificadora: rodillos, cartucho de película, etc.
- ii) Apertura: utilizando el cierre plateado, levante la tapa.
- iii) Cierre: baje la tapa suavemente utilizando el cierre plateado y presiónelo para cerrarlo. NO presione la tapa de la plastificadora para cerrarla.

#### d) CARTUCHO DE PELÍCULA:

- i) Sustituya el cartucho de película cuando esté vacío o cuando necesite utilizar una película de un grosor distinto. Para más información, consulte la sección "CARGA DEL CARTUCHO DE PELÍCULA".

#### e) RODILLOS DE LA PLASTIFICADORA:

- i) Los rodillos se calientan para activar el adhesivo de la película y ejercen presión para asegurar que la película se adhiere al documento.

#### f) CORTE AUTOMÁTICO:

- i) En modo de Corte automático, la cuchilla detecta los bordes delantero y trasero del documento y corta la película. En modo de Corte manual, cortará la película cuando se pulse el botón CUT.

## B. PANEL DE CONTROL:

(Mostrado en la imagen B anterior)

### BOTONES

- a) **POWER** – enciende/apaga la máquina. Después de 15 minutos sin uso, la máquina se apagará automáticamente.
- b) **RUN/STOP** – se utiliza para iniciar y detener la plastificadora.
  - i) Doble función – Avance manual: Mantenga pulsado el botón para hacer girar los rodillos de la plastificadora hacia delante. Puede utilizarse para eliminar atascos o extraer la suciedad durante la limpieza.
- c) **MODE** – permite a los usuarios alternar entre tres modos de funcionamiento.
  - i) Auto Feed / Auto Cut (Alimentación automática / Corte automático) – adecuado para tamaños de papel estándar impresos en papel de 80-120 g/m<sup>2</sup>.

- ii) Manual Feed / Auto Cut (Alimentación manual / Corte automático) – adecuado para tamaños de papel estándar con papel de mayor gramaje no apto para Auto Feed (Alimentación manual).

- iii) Manual Feed / Manual Cut (Alimentación manual / Corte manual) – adecuado para documentos con formas irregulares y no rectangulares.

- d) **CUT** – al pulsar este botón se activará la cuchilla para que corte la película una vez. Este botón se utiliza principalmente en el modo Corte manual.

### INDICADORES

- e) **STATUS** – indica el estado de la máquina:

- i) Verde fijo = preparada para su uso.
- ii) Secuencia intermitente de color verde = funcionando.
- iii) Ámbar fijo = calentando.
- iv) Secuencia intermitente de color ámbar = calentando y comando de funcionamiento aceptado. La plastificación comenzará cuando esté preparada.
- v) Rojo fijo = error

- f) **FILM** – El LED indicará si queda poca película (aprox. 30% restante) o si está vacía.

- i) Poca película = LED ámbar.
- ii) Vacía = LED rojo.

- g) **MODE** – el LED identifica en qué modo de funcionamiento se encuentra la máquina.

- h) **MENSAJE DE ERROR** – comunica mensajes de errores que deben resolverse.

- i) **DOOR**: una o las dos puertas están abiertas.
- ii) **JAM**: en la máquina pueden producirse dos tipos de atascos:
  1. Atasco en la plastificadora: Mantenga pulsado el botón RUN para hacer girar los rodillos hacia delante y eliminar el atasco.
  2. Atasco en el alimentador: abra la puerta del alimentador y extraiga el papel.

- iii) **CUTTER**: La cuchilla no puede completar un ciclo de corte completo.

- iv) **INDICADOR DE ALIMENTACIÓN MANUAL** – comunica cuándo la máquina está preparada encendiéndose de color VERDE para que pueda alimentarse manualmente el documento siguiente. Situado en la puerta del alimentador.

## C. CARTUCHO DE PELÍCULA:

(Mostrado en la imagen C anterior)

- a) **CARTUCHO** – se introduce en la plastificadora.
- b) **ETIQUETA DEL CARTUCHO** – indica el grosor de la película. Situada en la parte superior del asa.
- c) **BORDE DELANTERO DE LA PELÍCULA** – el borde delantero sellado de la película. Este borde debe colocarse orientado hacia la salida de la máquina.





## FUNCIONAMIENTO

### MODOS DE FUNCIONAMIENTO:

#### AUTO FEED / AUTO CUT (ALIMENTACIÓN AUTOMÁTICA / CORTE AUTOMÁTICO)

**Nota:** adecuado para tamaños de papel estándar impresos en papel de 80-120 g/m2.

1. Presione el botón de encendido para encender la máquina. La máquina se encenderá automáticamente en el modo Alimentación automática / Corte automático.
2. Coloque su(s) documento(s) en la BANDEJA DE ALIMENTACIÓN.
3. Deslice las guías y adaptelas a su(s) documento(s) para minimizar los errores de alineación durante la plastificación.
4. Presione el botón RUN:

**Nota:** Si pulsa RUN antes de que la máquina se haya calentado completamente, en la barra de estado se visualizará una secuencia intermitente de color ÁMBAR. La plastificadora ha aceptado el comando y la plastificación comenzará cuando la máquina alcance la temperatura adecuada.

5. Los documentos se plastificarán y se cortarán automáticamente a medida que salgan de la máquina.

**Nota:** Si pulsa STOP mientras que se está alimentando un documento en la plastificadora, la máquina terminará la plastificación antes de detenerse.

#### MANUAL FEED / AUTO CUT (ALIMENTACIÓN MANUAL / CORTE AUTOMÁTICO)

**Nota:** Adecuado para papel rectangular de tamaño estándar con un mayor gramaje no apto para Alimentación manual.

1. Presione el botón de encendido para encender la máquina.
2. Seleccione el modo Manual Feed / Auto Cut (Alimentación manual / Corte automático) pulsando el botón MODE.
3. Espere hasta que la máquina alcance la temperatura adecuada: la luz de estado se enciende de color verde.
4. Coloque solo el primer documento en la bandeja de alimentación. El documento debe colocarse en el centro de la bandeja de alimentación e introducirse lo suficiente para que el alimentador pueda "cogerlo".
5. Presione el botón RUN. El documento comenzará a entrar en la plastificadora.
6. Después de que su primer documento comience a plastificarse, espere hasta que el indicador de ALIMENTACIÓN MANUAL se ilumine de color verde. Una vez encendido, el siguiente documento puede alimentarse manualmente. Repita este proceso para plastificar de hoja en hoja hasta finalizar el trabajo.
7. Los documentos alimentados manualmente se plastificarán y se cortarán automáticamente a medida que salgan de la máquina.
8. Cuando el último documento haya salido de la máquina y haya sido cortado, la máquina se detendrá automáticamente.

#### MANUAL FEED / MANUAL CUT (ALIMENTACIÓN MANUAL / CORTE MANUAL)

**Nota:** Este modo es adecuado para documentos con formas irregulares, o no rectangulares, que no son aptos para la Alimentación automática.

1. Presione el botón de encendido para encender la máquina.
2. Seleccione el modo Manual Feed / Manual Cut (Alimentación manual / Corte manual) pulsando el botón MODE
3. Espere hasta que la máquina alcance la temperatura adecuada: la luz de estado se enciende de color verde.
4. Coloque solo el primer documento en la bandeja de alimentación. El documento debe colocarse en el centro de la bandeja de alimentación e introducirse lo suficiente para que el alimentador pueda "cogerlo".
5. Presione el botón RUN. El documento comenzará a entrar en la plastificadora.
6. Después de que su primer documento comience a plastificarse, espere hasta que el indicador de ALIMENTACIÓN MANUAL se ilumine de color verde. Una vez encendido, el siguiente documento puede alimentarse manualmente. Repita este proceso para plastificar de hoja en hoja hasta finalizar el trabajo.
7. Pulse el botón CUT para activar la cuchilla en el momento que desee cortar la película.

**Nota:** Se recomienda pulsar el botón CUT cuando vea que todo el documento ha salido de la máquina para evitar así cortar el documento.

8. Una vez que el último documento salga de la máquina, pulse el botón STOP para detener el proceso de plastificación.
9. Una vez que haya terminado la plastificación, pulse CUT para cortar la película restante que haya salido de la máquina.

#### CARGA DEL CARTUCHO DE PELÍCULA.

(Las imágenes 1-4 muestran este proceso)



**PRECAUCIÓN:** el siguiente proceso puede realizarse cuando la plastificadora está caliente. Debe tener mucho cuidado.

1. Abra la tapa de la plastificadora: Abra la tapa de la plastificadora levantando completamente el cierre plateado de la parte superior de la máquina y tire hacia arriba del cierre hasta que la tapa se abra totalmente.
2. Extraiga el cartucho: Tire hacia arriba del asa del cartucho para retirar el cartucho instalado.

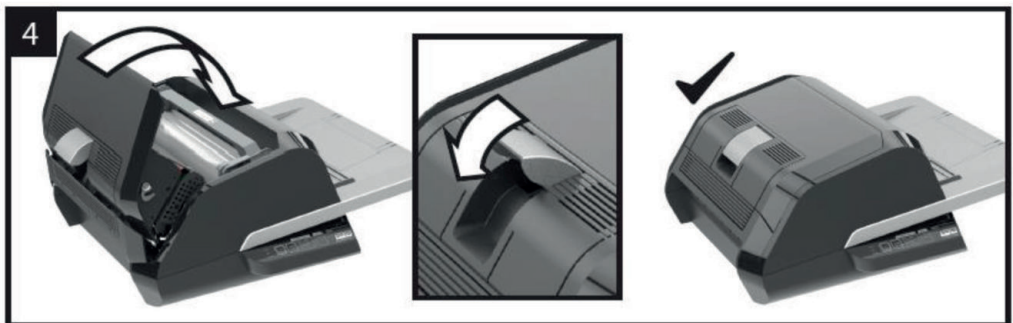
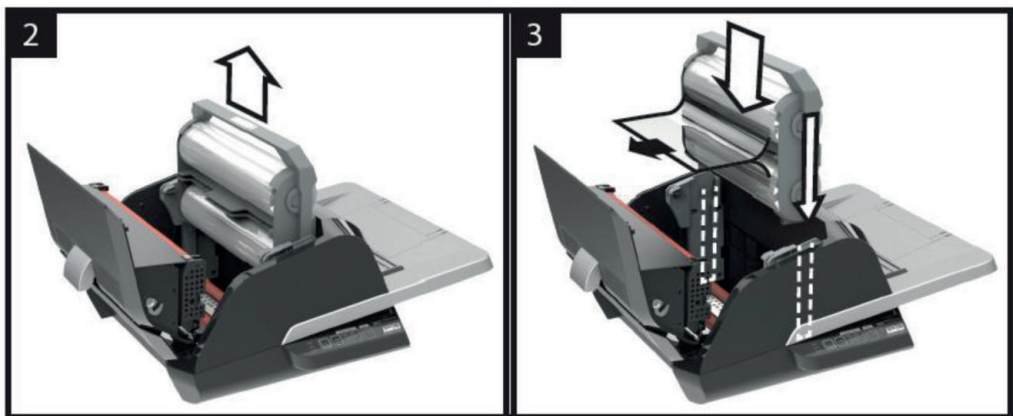
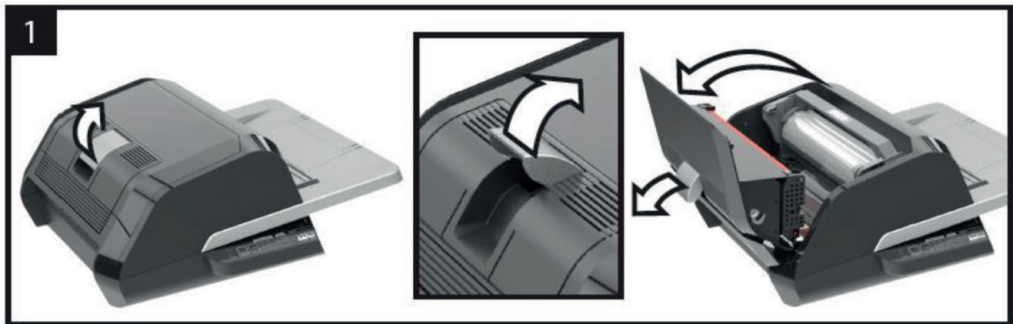
**PRECAUCIÓN:** los cartuchos llenos pueden ser pesados.

3. Introduzca el cartucho: Introduzca el cartucho de sustitución alienando los bordes del mismo con las guías grises y bajándolo.

**Nota:** El cartucho debe introducirse de forma que el borde delantero de la película quede orientado hacia la salida de la máquina, en sentido opuesto al alimentador.

4. Cierre la tapa de la plastificadora: Cierre la tapa de la plastificadora bajándola suavemente y cerrando completamente el cierre plateado de la parte superior. NO presione la tapa de la plastificadora para cerrarla; utilice el cierre.
5. Asegúrese de que el cartucho se ha introducido completamente: El indicador de Película vacía se iluminará cuando no haya ningún cartucho instalado o si el cartucho está instalado incorrectamente.

**Nota:** Cuando la plastificadora alcanza la temperatura correcta, la máquina alimentará aproximadamente 23 cm de película a través de los rodillos para eliminar **las posibles arrugas de la película.**





## RESOLUCIÓN DE PROBLEMAS

SÍNTOMA	POSIBLES MOTIVOS	MEDIDA CORRECTORA
Al pulsar el botón Power no se enciende la máquina.	El cable de alimentación puede no estar completamente conectado al enchufe.	Conecte el cable al enchufe. Asegúrese de que el enchufe recibe alimentación.
Indicador de estado de color rojo:	<p>El indicador de error de la puerta ("Door") está encendido de color rojo:</p> <p>El indicador de atasco de papel ("Jam") se enciende de color rojo:</p> <p>El indicador de Película vacía ("Film Empty") se ilumina de color rojo:</p> <p>El indicador de error de la cuchilla ("Cutter") está encendido de color rojo:</p>	<p>Extraiga todos los papeles de la bandeja del alimentador. Abra y cierre la tapa de la plastificadora y la puerta del alimentador. Asegúrese de que están totalmente cerradas.</p> <p>Extraiga todos los papeles de la bandeja del alimentador. Abra y cierre la puerta del alimentador.</p> <p>Si esto no elimina el error, mantenga pulsado el botón RUN durante 10 segundos para hacer avanzar la película. La película debe comenzar a salir de la máquina y el atasco debe eliminarse.</p> <p>Si el atasco persiste, abra la tapa de la plastificadora y compruebe si el borde delantero de la película está atrapado en un obstáculo o en los rodillos. <b>NO CORTE</b> la película. Levante el borde delantero de la película y vuelva a colocarlo adecuadamente. Cierre la tapa de la plastificadora y mantenga pulsado el botón RUN durante 10 segundos.</p> <p>Se ha detectado la etiqueta del cartucho que indica el final de la bobina. Sustituya el cartucho de película por un cartucho nuevo y cierre la tapa de la plastificadora.</p> <p>Pulse el botón CUT una vez para intentar activar la cuchilla. Si no funciona, pruebe lo siguiente:</p> <p>Mantenga pulsado el botón RUN durante 10-20 segundos para hacer avanzar la película. Si hay un documento plastificado en la salida de la plastificadora, mantenga pulsado el botón RUN hasta que el documento haya salido totalmente de la misma. Ahora pulse el botón CUT para ver si se activa la cuchilla.</p> <p>Si la película no avanza o si, después de realizar lo descrito anteriormente, la cuchilla no funciona, póngase en contacto con su proveedor de servicio.</p>
Película arrugada en el artículo plastificado.	Película mal alineada	<p>Mantenga pulsado el botón RUN para hacer avanzar la película. Después de que hayan avanzado 125 – 500 mm de película, las arrugas deben haberse eliminado por sí mismas. Si las arrugas se eliminan, pulse el botón CUT y estará listo para comenzar.</p> <p>Si las arrugas persisten, abra la tapa de la plastificadora. Coja la película que sale de la plastificadora y manténgala estirada mientras cierra la tapa de la misma. Repita los pasos anteriores y las arrugas deben desaparecer.</p>

SÍNTOMA	POSIBLES MOTIVOS	MEDIDA CORRECTORA
Los bordes de la película no están alineados uniformemente.	Las bobinas superior e inferior no están emparejadas adecuadamente.	Mantenga pulsado el botón RUN para hacer avanzar la película. Después de que la película haya avanzado 125 mm, los bordes de la misma deberían estar uniformemente alineados. Si lo están, pulse el botón CUT y estará listo para comenzar.  Si los bordes de la película aún no están uniformemente alineados, abra la tapa de la plastificadora. Coja la película que sale de la plastificadora y manténgala estirada mientras cierra la tapa de la misma.
El documento está torcido en la película cuando sale.	La alimentación de documentos está desalineada.	Antes de cargar un lote de papel, golpee ligeramente el borde delantero del papel contra una superficie plana y repita este procedimiento con el borde trasero o superior para alinear correctamente el papel.  Introduzca los documentos en la bandeja de alimentación y deslice las guías hasta el borde de los documentos.
Se introducen dos hojas frecuentemente  Se producen fallos frecuentes de alimentación de documentos	El papel tiene una gran carga estática.  Los rodillos no pueden recoger el documento y realizar la alimentación.	Intente ventilar los documentos o colocar el papel en un sistema de alineación antes de alimentarlo. Si los problemas persisten, utilice el modo Alimentación manual / Corte automático



## SEGURIDAD

### Seguridad

**SU SEGURIDAD, ADEMÁS DE LA DE LOS DEMÁS, ES IMPORTANTE PARA GBC. EN ESTE MANUAL DE INSTRUCCIONES Y EN EL PRODUCTO HAY MENSAJES IMPORTANTES DE SEGURIDAD. ANTES DE QUE INSTALE O UTILICE LA MÁQUINA, LEA CON ATENCIÓN Y SIGA TODOS LOS AVISOS DE SEGURIDAD DE ESTE CAPÍTULO.**

Preste atención a toda la información de seguridad suministrada. Preste atención a todas las advertencias de seguridad. Nunca quite las advertencias de seguridad ni ninguna otra información del equipo.

Lea todas las instrucciones y guárdelas para su uso en el futuro.



Este símbolo de alerta de seguridad precede a cada aviso de seguridad de este manual. El símbolo indica un peligro potencial para la seguridad personal que podría lesionarle a usted o a otras personas, además de causar daños al producto o a la propiedad.



Este símbolo de alerta de seguridad indica el riesgo de sufrir descargas eléctricas. Le previene para que no abra la plastificadora y quede expuesto a un voltaje peligroso.

EN LA PLASTIFICADORA FOTON 30 ENCONTRARÁ LAS SIGUIENTES ADVERTENCIAS



No la abra. En el interior no hay piezas que el usuario pueda reparar. Confíe las reparaciones a personal de servicio cualificado.



**PRECAUCIÓN - Superficie caliente:** Los rodillos de la plastificadora pueden alcanzar temperaturas superiores a los 126,7°C. Tenga cuidado de no tocar los rodillos.



**ADVERTENCIA:** No intente revisar ni reparar la plastificadora usted mismo.



**ADVERTENCIA:** No conecte la plastificadora a la red eléctrica ni intente utilizarla hasta que haya leído estas instrucciones completamente. Guarde estas instrucciones en un lugar apropiado para su futura consulta.



**ADVERTENCIA:** Este dispositivo no ha sido diseñado para su utilización dentro del campo directo de visión en lugares de trabajo con pantallas de visualización. Para evitar reflejos incómodos en lugares de trabajo con pantallas de visualización, este dispositivo no debe colocarse en el campo directo de visión.

### Medidas preventivas generales

- Use esta plastificadora solo para la finalidad para la que se ha fabricado, según las especificaciones descritas en las instrucciones de funcionamiento.
- Mantenga las manos, el cabello largo, la ropa suelta y otros artículos tales como collares o corbatas lejos de la parte delantera de los rodillos de alimentación para evitar que se queden enredados o atrapados.
- Al abrir la puerta de la parte superior de la plastificadora, evite el contacto con los rodillos internos cuando la plastificadora esté encendida o poco después de que haya sido apagada. Los rodillos pueden alcanzar temperaturas superiores a los 126,7°C.
- Mantenga las manos y los dedos lejos del recorrido de la hoja que corta la película situada en la parte posterior de la plastificadora.
- No coloque la plastificadora en un carro, un soporte o una mesa inestables. En caso de utilizarse sobre una superficie inestable, la plastificadora podría caerse y producir lesiones graves. Cuando transporte la plastificadora en un carro o un soporte, evite las detenciones repentinas, el uso de fuerza excesiva y los suelos desnivelados.
- No anule ni extraiga equipos de seguridad mecánicos y eléctricos, como dispositivos cortacorriente, de pantalla y de protección.
- No inserte ningún objeto que no sea apto para plastificarlo.
- No exponga la plastificadora a ningún líquido.



**PRECAUCIÓN:** la toma eléctrica debe estar situada cerca del equipo y debe poder accederse a ella fácilmente. No use un cable alargador.

## Medidas preventivas eléctricas

- El equipo debe conectarse a una toma eléctrica con toma de tierra de fácil acceso y situada cerca del mismo.
- Esta plastificadora debe conectarse a una tensión de alimentación que corresponda con la clasificación eléctrica que se indica en la placa de serie ubicada en la parte posterior de la máquina.
- Desenchufe la plastificadora antes de moverla, o cuando no la vaya a utilizar durante un periodo prolongado de tiempo.
- No utilice la plastificadora con un cable o enchufe dañado.
- No sobrecargue las tomas eléctricas ya que pueden producirse incendios o descargas eléctricas.
- No modifique la clavija. Ésta está configurada para el suministro eléctrico adecuado.
- La unidad está fabricada solo para su empleo en interiores.
- Si va a mover la plastificadora, desconecte el enchufe de la toma eléctrica a la que éste conectado y guarde el cable de suministro eléctrico.
- No utilice la plastificadora si el cable o el enchufe están dañados, si no funciona correctamente o si está dañada. Póngase en contacto con un representante de servicio autorizado de GBC para obtener asistencia.

## Residuos de aparatos eléctricos y electrónicos (RAEE)

Al final de su vida útil, su producto se considera un residuo de aparato eléctrico y electrónico (RAEE). Por lo tanto, es importante que tenga en cuenta lo siguiente:

Los RAEE no deben eliminarse como residuos urbanos no seleccionados. Deben recogerse por separado de modo que se puedan desmontar para reciclar, reutilizar y valorizar sus componentes y materiales (como combustible para la recuperación de energía en la producción de electricidad). Los ayuntamientos han creado puntos de recogida públicos para la recogida gratuita de RAEE.

Lleve su RAEE al punto de recogida más cercano a su hogar u oficina.

Si experimenta alguna dificultad para encontrar un punto de recogida, el comercio que le vendió el producto debería aceptar su RAEE.

Si ya no está en contacto con el comercio, póngase en contacto con ACCO para recibir ayuda.

El reciclaje de RAEE tiene como finalidad la protección del medio ambiente, la protección de la salud humana, la conservación de materias primas, la mejora del desarrollo sostenible y la garantía de un mejor suministro de productos básicos en la Unión Europea. Esto se consigue mediante la recuperación de materias primas secundarias valiosas y la reducción de la eliminación de residuos. Para contribuir a la consecución de estos objetivos, devuelva su RAEE al punto de recogida.

Su producto está marcado con el símbolo RAEE (contenedor de basura con una X). Este símbolo tiene como finalidad informarle de que el RAEE no se puede eliminar como residuo urbano no seleccionado.

## Garantía

El funcionamiento de esta máquina está garantizado durante un periodo de dos años a partir de la fecha de adquisición, siempre que su utilización sea normal. Durante el plazo de garantía, ACCO Brands Europe, a su propia discreción, reparará o sustituirá el aparato defectuoso gratuitamente. La garantía no cubre los defectos causados por uso indebido o por su utilización para fines inadecuados. Se requerirá un comprobante de la fecha de compra. Las reparaciones o modificaciones realizadas por personas no autorizadas por ACCO Brands Europe anularán la garantía. Nuestro objetivo es asegurar que nuestros productos funcionan según las especificaciones indicadas. Esta garantía no afecta a los derechos legales que tienen los consumidores en virtud de la legislación vigente aplicable que rige la venta de artículos.



<b>Snelstartgids</b>	<b>64</b>
<b>Bediening</b>	<b>65</b>
<b>Specificaties</b>	<b>65</b>
<b>Installatie</b>	<b>66</b>
<b>Overzicht van functies</b>	<b>67</b>
<b>Bediening</b>	<b>69</b>
<b>Probleemoplossing</b>	<b>71</b>
<b>Veiligheid</b>	<b>73</b>



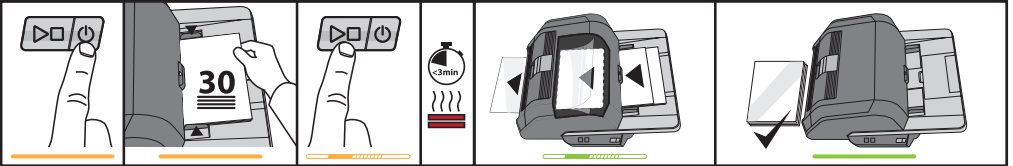
MODE	Feed Cut	
	Auto	Auto
	Manual	Auto

≤120gsm

30

A3/A4

Auto Feed / Auto Cut Mode



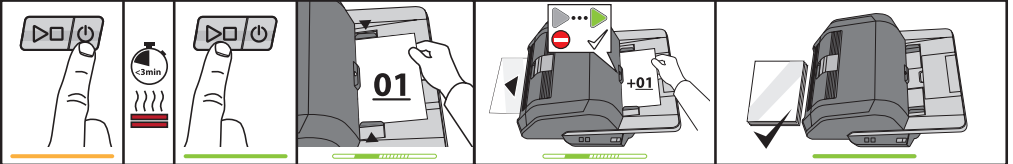
MODE	Feed Cut	
	Auto	Auto
	Manual	Auto

≥120gsm

01

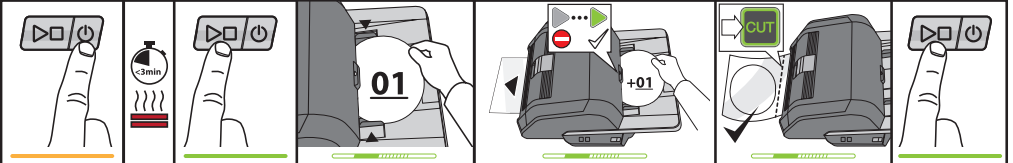
A3/A4

Manual Feed / Auto Cut Mode



MODE	Feed Cut	
	Auto	Auto
	Manual	Auto

Manual Feed / Manual Cut Mode








## BEDIENING


 Run/Stop Power	<b>Power:</b> machine aanzetten en laten opwarmen. Nogmaals hierop drukken om machine uit te zetten. <b>Run/Stop:</b> lamineren starten en stoppen.
	<b>Mode:</b> bedrijfsmodi doorlopen.
 Status	<b>Statusindicator:</b> geeft status Wordt opgewarmd, Gereed, Actief of Fout aan.
	<b>Gereedindicator handmatige invoer:</b> geeft aan wanneer machine klaar is voor lamineren met handmatige invoer.
	<b>Activeert snijder:</b> op Cut drukken bij handmatige invoer/handmatig snijden om documenten van elkaar te scheiden. <b>Belangrijk! Controleer of lamineren is voltooid voordat u op Cut drukt.</b>
	<b>Filmstatus:</b> <i>Low</i> er is nog film voor het lamineren van ca. 30 documenten. <i>Empty</i> u moet de filmcassette vervangen voordat u door kunt gaan.
	<b>Foutstatussen:</b> <i>Door</i> laminatorklep is niet goed gesloten. <i>Jam</i> document is vastgelopen. <i>Cutter</i> er is een fout met de snijder

## Onderhoud

Ga naar [www.gbceurope.com](http://www.gbceurope.com) om dit product te registreren en de garantie te activeren.

Voor informatie over uw plaatselijke reparateur gaat u naar [www.gbceurope.com](http://www.gbceurope.com)

 Producten waarop dit symbool is aangebracht, voldoen aan alle toepasselijke communautaire regelgeving voor de Europese Economische Ruimte.

 Gebruik de lamineermachine alleen in gebouwen.

## SPECIFICATIES

<b>Model</b>	FOTON 30
<b>Bedrijfsnelheid</b>	75 microns: 700mm/min 100 microns: 670mm/min 125 microns: 650mm/min
<b>Bedrijfsmodi</b>	Automatische invoer/ Automatisch snijden  Handmatige invoer/ Automatisch snijden  Handmatige invoer/ Handmatig snijden
<b>Opwarmtijd</b>	75 micron: 3 minuten 100 micron: 3,5 minuten 125 micron: 4 minuten
<b>Maximale invoercapaciteit</b>	30 vellen (80 g/m <sup>2</sup> papier)
<b>Maximale filmbreedte</b>	306mm
<b>Maximale documentdikte</b>	250 g/m <sup>2</sup> (handmatige invoer)
<b>Ondersteunde documentlengtes:</b>	Minimaal: 152mm Maximaal: 432mm
<b>Ondersteunde documentbreedtes:</b>	Minimaal: 127mm Maximaal: 297mm
<b>Mediagewicht, automatische invoer</b>	Hoge betrouwbaarheid: 64 – 120 g/m <sup>2</sup> Variabele betrouwbaarheid: 121 – 220 g/m <sup>2</sup>
<b>Mediagewicht, handmatige invoer</b>	64 – 250 g/m <sup>2</sup>
<b>Afmetingen</b>	Machine
• Breedte	57,7 cm
• Hoogte	24,5 cm
• Diepte	47,8 cm
• Gewicht	9,5 kg
<b>Automatische uitschakeling</b>	Na 15 minuten zonder activiteit
<b>Elektrische vereisten</b>	220-240V, 50/60Hz
<b>Zekering</b>	Ja (intern en niet vervangbaar)
<b>Bedrijfsomgeving</b>	5-35C Maximale locatiehoogte van 2,000m

## INSTALLATIE

### Onderhoud



**WAARSCHUWING:** Probeer de lamineermachine niet zelf te onderhouden of te repareren. Indien deze waarschuwing niet in acht wordt genomen, kan dit ernstig letsel of de dood tot gevolg hebben.

Haal de stekker uit het stopcontact en neem contact op met de klantendienst in een of meer van de volgende gevallen:

- Het stroom snoer of de stekker is beschadigd.
- Er is vloeistof in de lamineermachine terechtgekomen.
- De lamineermachine functioneert niet meer goed nadat hij verkeerd is gebruikt.
- De lamineermachine functioneert niet zoals in deze handleiding is beschreven.

### Installatie

- Transportschade moet onmiddellijk worden gemeld bij de vervoersmaatschappij die de machine heeft geleverd.
- Zet de lamineermachine neer op een stabiel horizontaal oppervlak dat sterk genoeg is voor een gewicht van 23 kg.
- Het oppervlak moet minstens 0,75 m boven de grond staan, zodat u de machine gemakkelijk kunt gebruiken. De vier rubberen voetjes van de machine moeten op het oppervlak staan.
- Steek de stekker in een geschikt stopcontact. Zorg ervoor dat er geen andere apparatuur is verbonden met hetzelfde vertakte circuit waarop de lamineermachine is aangesloten. Dit kan er namelijk voor zorgen dat de stroomonderbreker wordt geactiveerd of dat een zekering doorbrandt.
- De lamineermachine moet zo worden neergezet dat de uitgaande film ongehinderd op een vlakke ondergrond kan vallen. Als gelamineerde documenten zich bij de uitgang ophopen, kan een verstopping ontstaan.
- Zorg ervoor dat de lamineermachine niet wordt neergezet in de buurt van bronnen van warme of koude lucht. Plaats de machine niet midden in een stroom verwarmde of gekoelde lucht.

### Verzorging van de Foton 30

Het enige onderhoud dat de operator hoeft uit te voeren, is af en toe de rollen van de machine te reinigen. Door de rollen schoon te houden, zorgt u ervoor dat uw gelamineerde items niet worden beschadigd door vuil en lijmresten.



**LET OP:** de volgende procedure wordt uitgevoerd terwijl de lamineermachine heet is. Ga zeer voorzichtig te werk.



**WAARSCHUWING:** breng geen schoonmaak- of oplosmiddelen op de rollen aan.



**WAARSCHUWING:** gebruik geen film met lijm die brandbaar is.



**WAARSCHUWING:** houd deze machine uit de buurt van vloeistoffen.

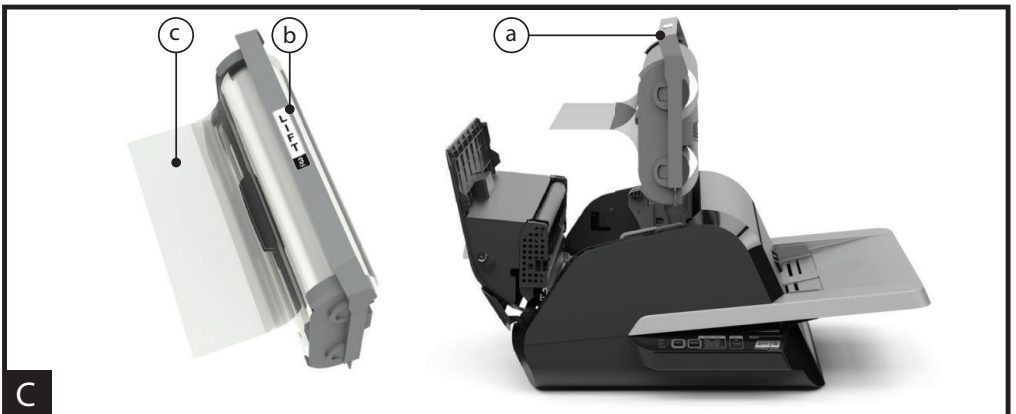
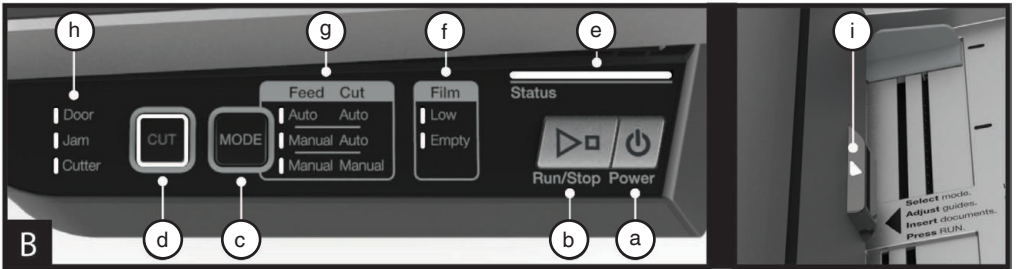
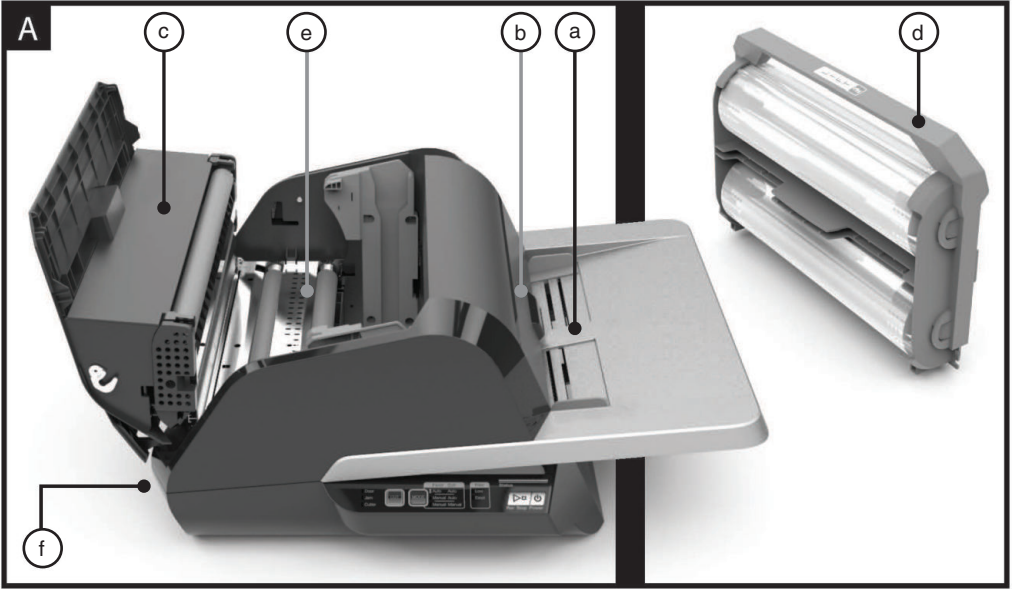
1. Zet de machine aan en wacht tot deze volledig is opgewarmd.
2. Open de klep van de lamineermachine met behulp van de zilverkleurige hendel.
3. Maak de bovenste rollen schoon met een schone, vochtige, niet-pluizende doek. Verwijder eventuele lijmresten met isopropylalcohol in plaats van water.
4. Til de voorrand van de film omhoog in de richting van de hendel van de cassette.
5. Maak de onderste rollen schoon met een schone, vochtige, niet-pluizende doek. Verwijder eventuele lijmresten met isopropylalcohol in plaats van water.
6. Plaats de voorrand van de film in de juiste positie en sluit de klep.
7. Houd de knop RUN/STOP 5-7 seconden ingedrukt om de rollen te laten draaien.
8. Open de klep van de lamineermachine met behulp van de zilverkleurige hendel.
9. Herhaal stap 3 – 6.

**Opmerking:** gebruik geen metalen schuursponsjes om de warmterollen te reinigen!



**WAARSCHUWING:** Lamineer geen items waar glitter en/of metalen voorwerpen op zitten. Dit kan leiden tot beschadiging van de rollen.

De afdekkingen aan de zijkanten en de invoerlade kunnen met een niet-pluizende doek en een niet-agressief schoonmaakmiddel worden afgenomen.



## OVERZICHT VAN FUNCTIES

### A. KENNISMAKING MET DE LAMINEERMACHINE:

(Weergegeven in afbeelding A hierboven)

#### a) INVOERLADE EN ZIJGELEIDERS:

i) Plaats de te lamineren documenten en gebruik de zijgeleiders om scheve invoer zoveel mogelijk te vermijden. Vouw het verlengstuk voor grotere documenten uit.

#### b) INVOER/KLEP VAN INVOER:

i) Voert documenten in de lamineermachine. Er gaat een rood lampje op de klep branden als documenten verkeerd zijn ingevoerd. Open de klep om de verkeerde ingevoerde documenten te verwijderen.

#### c) KLEP VAN LAMINEERMACHINE:

- i) Geeft toegang tot de inwendige onderdelen van de lamineermachine: rollen, filmcassette enz.
- ii) Klep openen: til de klep op met behulp van de zilverkleurige hendel.
- iii) Klep sluiten: druk de zilverkleurige hendel voorzichtig omlaag tot deze vergrendeld is. Duw NIET op de klep van de lamineermachine om deze te sluiten.

#### d) FILMCASSETTE:

i) Vervang de filmcassette wanneer deze leeg is of als u een andere filmdikte moet gebruiken. Zie FILMCASSETE LADEN voor meer informatie.

#### e) ROLLEN VAN LAMINEERMACHINE:

i) De rollen worden opgewarmd om de lijm op de film te activeren en om druk uit te oefenen zodat de film aan het document blijft plakken.

#### f) AUTOMATISCHE SNIJDER:

i) Als de modus Automatisch snijden actief is, herkent de snijder de voor- en achterrand van het document en wordt de film afgesneden. In de modus Handmatig snijden wordt hiermee de film alleen afgesneden wanneer op de knop CUT wordt gedrukt.

ii) Manual Feed / Auto Cut – (Handmatige invoer/ Automatisch snijden) meest geschikt voor documenten met standaardformaten op zwaar papier dat niet automatisch wordt ingevoerd.

iii) Manual Feed / Manual Cut – (Handmatige invoer/ Handmatig snijden) meest geschikt voor documenten met een afwijkende vorm en niet-rechthoekige documenten.

d) **CUT** – Met deze knop wordt de snijder geactiveerd om één keer door de film te snijden. Deze knop wordt vooral gebruikt in de modus Handmatig snijden.

### INDICATOREN

e) **STATUS** – Geeft de status van de machine aan:

i) Ononderbroken groen = gebruiks klaar.

ii) Groen knipperpatroon = actief.

iii) Ononderbroken oranje = in opwarmfase.

iv) Oranje knipperpatroon = in opwarmfase, de opdracht RUN is geaccepteerd. Het lamineren wordt gestart zodra de machine gebruiksklaar is.

v) Ononderbroken rood = fout.

f) **FILM** – LED geeft aan wanneer de filmrol bijna leeg is (ca. 30% resterend) of helemaal leeg is.

i) Bijna leeg = Oranje LED.

ii) Leeg = Rode LED.

g) **MODE** – Groene LED geeft aan welke bedrijfsmodus actief is.

h) **FOUTMELDING** – Geeft fouten aan die moeten worden opgelost.

i) **DOOR**: Geeft fouten aan die moeten worden opgelost.

ii) **JAM**: één van twee mogelijke storingen doet zich voor:  
 1. Storing in de lamineermachine: houd de knop RUN ingedrukt om de rollen in voorwaartse richting te laten draaien en verwijder de vastgelopen media.  
 2. Storing in de invoer: open de klep van de invoer en verwijder het papier.

iii) **CUTTER**: De snijder kan geen volledige snijcyclus uitvoeren.

iv) **INDICATOR VOOR HANDMATIGE INVOER** – geeft aan wanneer de machine gebruiksklaar is door GROEN op te lichten, zodat het volgende document handmatig kan worden ingevoerd. De indicator bevindt zich op de klep van de invoer.

### C. FILMCASSETTE:

(Weergegeven in afbeelding C hierboven)

a) **CASSETTE** – Wordt in de lamineermachine geplaatst.

b) **CASSETTELABEL** – Geeft de filmdikte aan. Bevindt zich boven op de hendel.

c) **VOORRAND FILM** – De gesloten voorrand van de film. Deze rand moet naar de uitvoerzijde van de machine zijn gericht.

## B. BEDIENINGSPANEEL:

(Weergegeven in afbeelding B hierboven)

### KNOPPEN

a) **POWER** – De machine in- en uitschakelen. Als de machine 15 minuten lang niet gebruikt is, wordt deze automatisch uitgeschakeld.

b) **RUN/STOP** – De lamineermachine starten en stoppen.

i) Dubbele functie – Rollen handmatig voorwaarts laten draaien: Houd de knop ingedrukt om de rollen van de lamineermachine in voorwaartse richting te laten draaien. Deze knop kan worden gebruikt om vastgelopen film te verwijderen en vuil te verwijderen bij het schoonmaken.

c) **MODE** – Hiermee kunnen gebruikers schakelen tussen drie bedrijfsmodi.

i) Auto Feed / Auto Cut – (Automatische invoer/ Automatisch snijden) meest geschikt voor standaardformaten en papiergewichten van 80-120 g/m<sup>2</sup>.

## BEDIENING

### BEDIENINGSMODI:

#### AUTO FEED/AUTO CUT (AUTOMATISCHE INVOER/AUTOMATISCH SNIJDEN)

**Opmerking:** meest geschikt voor documenten met een standaardformaat en papiergewichten van 80-120 g/m<sup>2</sup>.

1. Druk op de knop POWER om de machine aan te zetten. De machine wordt automatisch opgestart in de modus Automatische invoer/Automatisch snijden.
2. Plaats het (de) document(en) in de invoerlade.
3. Schuif de zijgeleiders tegen de documenten om scheve invoer tijdens het lamineren zoveel mogelijk te vermijden.
4. Druk op de knop RUN:

**Opmerking:** als u op RUN drukt voordat de machine volledig is opgewarmd, is de statusbalk ORANJE en heeft deze een knipperpatroon. De lamineermachine heeft de opdracht geaccepteerd en het lamineren wordt automatisch gestart wanneer de machine de juiste temperatuur heeft bereikt.

5. De documenten worden automatisch gelamineerd en automatisch afgesneden wanneer ze uit de machine komen.

**Opmerking:** wanneer u op de knop STOP drukt terwijl het document nog door de lamineermachine wordt gevoerd, wordt het lamineren voltooid voordat de machine stopt.

#### MANUAL FEED/AUTO CUT (HANDMATIGE INVOER/AUTOMATISCH SNIJDEN)

**Opmerking:** meest geschikt voor rechthoekige documenten met standaardformaten op zwaar papier dat niet automatisch wordt ingevoerd.

1. Druk op de knop POWER om de machine aan te zetten.
2. Selecteer de modus Handmatige invoer/Automatisch snijden door te drukken op de knop Mode.
3. Wacht tot de machine de juiste temperatuur heeft bereikt: het statuslampje is groen.
4. Plaats alleen het eerste document in de invoerlade. Het document moet in het midden van de invoerlade worden geplaatst, en ver genoeg in de invoer zodat het kan worden 'vastgepakt'.
5. Druk op de knop RUN. Het document wordt in de lamineermachine gevoerd.
6. Nadat het lamineren van het eerste document is gestart, wacht u tot de indicator voor handmatige invoer groen oplicht. Wanneer de indicator groen is kunt u het volgende document handmatig invoeren. Herhaal dit proces vel voor vel tot de taak is voltooid.
7. Handmatig ingevoerde documenten worden gelamineerd en automatisch afgesneden wanneer ze uit de machine komen.
8. Nadat het laatste document uit de machine is gekomen en is afgesneden, stopt de machine automatisch.

#### MANUAL FEED/MANUAL CUT (HANDMATIGE INVOER/HANDMATIG SNIJDEN)

**Opmerking:** deze modus is het meest geschikt voor documenten met een afwijkende vorm of niet-rechthoekige documenten die niet automatisch worden ingevoerd.

1. Druk op de knop POWER om de machine aan te zetten.
2. Selecteer de modus Handmatige invoer/Handmatig snijden door te drukken op de knop Mode.
3. Wacht tot de machine de juiste temperatuur bereikt: statuslampje is groen.
4. Plaats alleen het eerste document in de invoerlade. Het document moet in het midden van de invoerlade worden geplaatst en ver genoeg in de invoer zodat het kan worden 'vastgepakt'.
5. Druk op de knop RUN. Het document wordt in de lamineermachine gevoerd.
6. Nadat het lamineren van het eerste document is gestart, wacht u tot de indicator voor handmatige invoer groen oplicht. Wanneer de indicator groen is, kunt u het volgende document handmatig invoeren. Herhaal dit proces vel voor vel tot de taak is voltooid.
7. Druk op de knop CUT om de snijder te activeren wanneer u de film wilt afsnijden.



**Opmerking:** u wordt aangeraden pas op de knop CUT te drukken nadat het volledige document uit de machine is gekomen. Zo voorkomt u dat door het document gesneden wordt.

8. Nadat het laatste document uit de machine is gekomen, drukt u op de knop STOP om het lamineerproces te stoppen.
9. Nadat het lamineren is gestopt, drukt u op CUT om de resterende film die uit de machine is gekomen af te snijden.

### FILMCASSETTE PLAATSEN

*(Dit proces wordt weergegeven in afbeelding 1-4)*

**LET OP:** de volgende procedure kan worden uitgevoerd terwijl de lamineermachine heet is. Ga zeer voorzichtig te werk.

1. Open de klep van de lamineermachine: til de zilverkleurige hendel boven op de machine volledig op en trek deze omhoog tot de klep volledig geopend is.
2. Verwijder de cassette: pak de hendel op de cassette vast en til de cassette omhoog uit de machine.

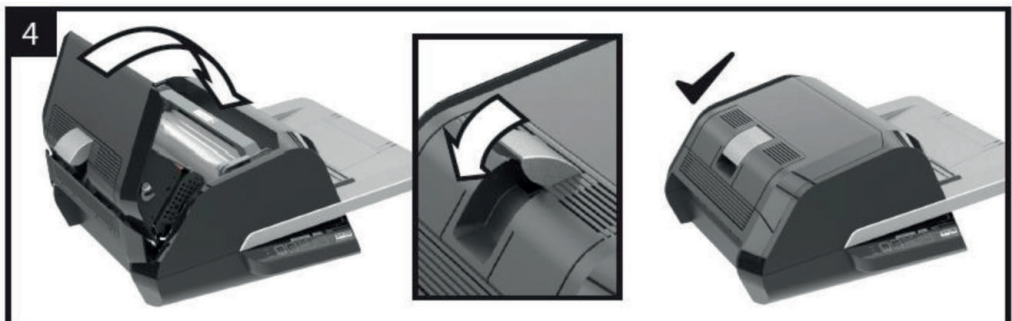
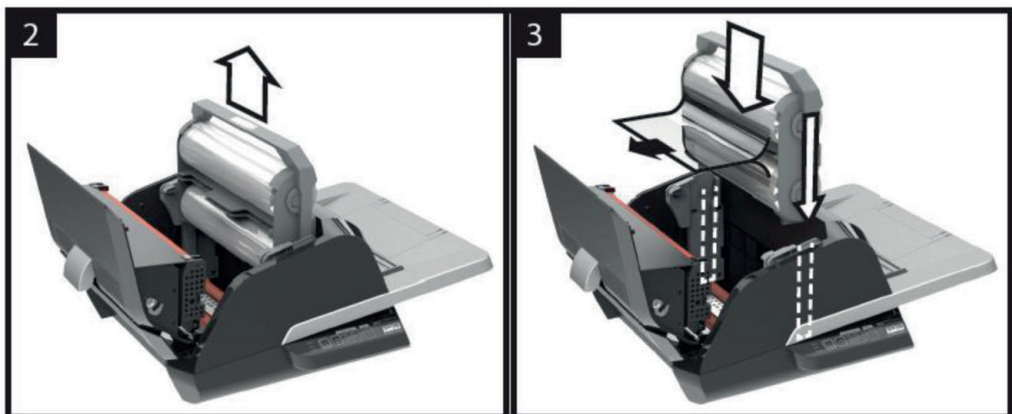
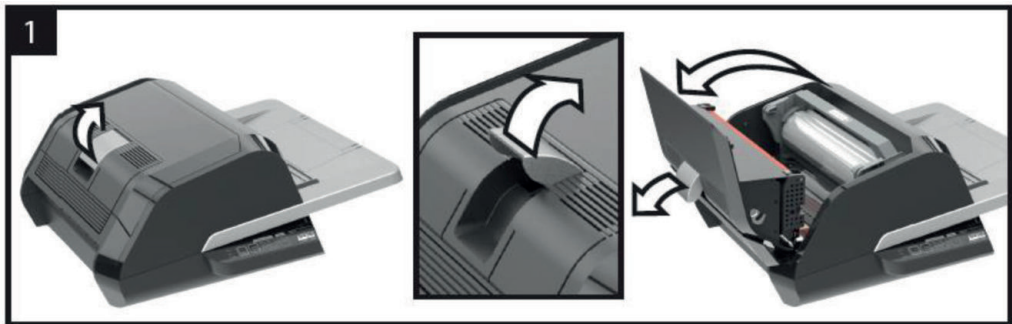
**LET OP:** volle cassettes kunnen zwaar zijn.

3. Plaats de cassette: lijn de randen van de cassette uit met de grijze kanaalgeleiders en laat de cassette in de lamineermachine zakken.

**Opmerking:** plaats de cassette zo dat de voorrand van de film in de richting van de uitgang van de machine wijst.

4. Sluit de klep van de lamineermachine: duw de zilverkleurige hendel boven op de klep voorzichtig omlaag tot deze vergrendeld is. Duw NIET op de klep van de lamineermachine om deze te sluiten, gebruik de hendel.
5. Controleer of de cassette volledig is geplaatst: de indicator Film Empty (Geen film) licht op wanneer er geen cassette is geplaatst of als de cassette niet goed is geplaatst.

**Opmerking:** wanneer de lamineermachine de juiste temperatuur bereikt, wordt ongeveer 23 cm film door de rollen gevoerd om vouwen in de film te vermijden.





## PROBLEEMOPLOSSING

SYMPTOOM	MOGELIJKE OORZAAK	CORRIGERENDE ACTIE
De machine wordt niet ingeschakeld als ik op de knop POWER druk.	Het netsnoer is mogelijk niet volledig in het stopcontact gestoken.	Steek de stekker goed in het stopcontact. Controleer of het stopcontact stroom levert.
Rode statusindicator.	Foutindicator Door (Klep) is rood.  Foutindicator Jam (Papierstoring) is rood.  Indicator Film Empty (Geen film) is rood.  Foutindicator Cutter (Snijder) is rood.	Verwijder papier uit de invoerlade. Open en sluit de klep van de lamineermachine en de klep van de invoer. Zorg ervoor dat beide volledig gesloten zijn.  Verwijder papier uit de invoerlade. Open en sluit de klep van de invoer.  Als de fout hiermee niet wordt opgelost, houd u de knop RUN 10 seconden ingedrukt om de film in voorwaartse richting door te voeren. Er komt dan film uit de machine en de storing zou moeten zijn opgelost.  Als de foutmelding nog steeds wordt weergegeven, open dan de klep van de lamineermachine en ga na of de voorrand van de film vastzit in het inwendige van de machine of in de rollen. Snijd de film NIET af. Til de voorrand van de film op en plaats deze op de juiste manier. Sluit de klep van de lamineermachine en houd de knop RUN 10 seconden ingedrukt.  Cassettelabel dat aangeeft dat de filmrol leeg zijn, is herkend. Vervang de filmcassette door een nieuwe cassette en sluit de klep van de lamineermachine.  Druk één keer op de knop CUT om de snijder te activeren. Als dit niet werkt, probeert u het volgende:  houd de knop RUN ongeveer 10-20 seconden ingedrukt om de film in voorwaartse richting door de machine te voeren. Als de uitvoer van de lamineermachine een gelamineerd document bevat, houdt u de knop RUN ingedrukt tot het document volledig uit de machine is gekomen. Druk nu op de knop CUT om te zien of de snijder wordt geactiveerd.  Als de film niet wordt doorgevoerd of als de snijder niet werkt nadat u de bovenstaande stappen hebt uitgevoerd, neemt u contact op met uw leverancier.
Vouwen in de film op het gelamineerde item.	De film is niet goed uitgelijnd.	Houd de knop RUN ingedrukt om de film in voorwaartse richting door te voeren. Nadat 125 – 500 mm film is doorgevoerd, zouden de vouwen moeten zijn verdwenen. Als de vouwen niet meer aanwezig zijn, drukt u op de knop CUT en bent u klaar om te beginnen.  Als er nog steeds vouwen zijn, opent u de klep van de lamineermachine. Pak de film die uit de machine komt vast en trek deze strak terwijl u de klep van de lamineermachine sluit. Herhaal de bovenstaande stap, de vouwen zouden nu moeten verdwijnen.



SYMPTOOM	MOGELIJKE OORZAAK	CORRIGERENDE ACTIE
<p>De filmranden zijn niet goed uitgelijnd.</p>	<p>De bovenste en onderste filmrollen zijn niet goed op elkaar afgestemd.</p>	<p>Houd de knop RUN ingedrukt om de film in voorwaartse richting door te voeren. Nadat 125 mm film is doorgevoerd, zouden de filmranden goed moeten zijn uitgelijnd. Als de filmranden nu goed zijn uitgelijnd, drukt u op de knop CUT en bent u klaar om te beginnen.</p> <p>Als de filmranden nog steeds niet goed zijn uitgelijnd, opent u de klep van de lamineermachine. Pak de film die uit de machine komt vast en trek deze strak terwijl u de klep van de lamineermachine sluit.</p>
<p>Documenten zitten scheef in de film wanneer ze uit de lamineermachine komen.</p>	<p>De documenten zijn niet recht ingevoerd.</p>	<p>Probeer voordat u de stapel papier laadt, de voorrand van de stapel egaal te maken door deze tegen een plat oppervlak te tikken. Herhaal dit voor de onderste of bovenste rand om het papier goed uit te lijnen.</p> <p>Plaats de media in de invoerlade en schuif de zijgeleiders tegen de rand van de media.</p>
<p>Er worden vaak twee documenten tegelijk ingevoerd.</p> <p>Documenten worden vaak niet goed ingevoerd.</p>	<p>De stapel papier is statisch.</p> <p>De rollen kunnen de media niet oppakken en vellen niet doorvoeren.</p>	<p>Probeer de media te waaieren of plaats het papier in een triltafel voordat u het papier invoert. Als de problemen zich blijven voordoen, gebruikt u de modus Handmatige invoer/ Automatisch snijden.</p>





## VEILIGHEID

### Veiligheid

**UW VEILIGHEID EN DIE VAN ANDEREN IS BELANGRIJK VOOR GBC. IN DEZE HANDLEIDING EN OP HET PRODUCT BEVINDEN ZICH BELANGRIJKE VEILIGHEIDSMEDEDELINGEN. LEES ALLE VEILIGHEIDSMEDEDELINGEN IN DIT HOOFDSTUK GOED DOOR VOORDAT U DE MACHINE INSTALLEERT OF INGEBRUIKNEEMT, EN NEEM DE INSTRUCTIES IN ACHT.**

Neem alle verstrekte veiligheidsaanwijzingen in acht. Neem alle veiligheidswaarschuwingen in acht. Verwijder nooit veiligheidswaarschuwingen of andere informatie van de apparatuur.

Lees alle instructies en bewaar ze zodat u ze later kunt raadplegen.



Elke veiligheidsmededeling in deze handleiding wordt voorafgegaan door een waarschuwingssymbool. Het symbool duidt op een potentieel veiligheidsrisico waarbij u of anderen letsel kunnen oplopen en er schade aan het product of aan eigendommen kan ontstaan.



Dit waarschuwingssymbool duidt op een kans op een elektrische schok. Het is een waarschuwing dat u de lamineermachine niet mag openen omdat u dan wordt blootgesteld aan gevaarlijke elektrische spanning.

OP DE FOTON 30-LAMINEERMACHINE ZIJN DE VOLGENDE WAARSCHUWINGEN AANGEBRACHT.



Niet openen. Geen onderhoud door de gebruiker vereist. Laat het onderhoud uitvoeren door bevoegd onderhoudspersoneel.



**LET OP** - Heet oppervlak: De rollen van de lamineermachine kunnen een temperatuur bereiken van meer dan 126,7 °C. Ga voorzichtig te werk en raak de rollen niet aan.



**WAARSCHUWING:** probeer de lamineermachine niet zelf te onderhouden of te repareren.



**WAARSCHUWING:** Sluit de lamineermachine pas aan op de netstroom en neem de lamineermachine pas in gebruik wanneer u al deze aanwijzingen goed hebt doorgenomen. Bewaar deze handleiding op een handige plaats zodat u deze later kunt raadplegen.



**WAARSCHUWING:** Deze machine is niet bedoeld voor gebruik in het directe gezichtsveld van werkplekken met beeldschermen. Om hinderlijke weerspiegeling op werkplekken met beeldschermen te vermijden, moet deze machine niet in het directe gezichtsveld worden geplaatst.

### Algemene veiligheidsmaatregelen

- Gebruik deze lamineermachine alleen voor het beoogde doel, volgens de specificaties die in de handleiding staan vermeld.
- Houd uw handen, lang haar, loszittende kleding en voorwerpen zoals kettingen en dassen uit de buurt van het voorste gedeelte van de invoerrollen, zodat ze niet verstrikt raken of vast komen te zitten.
- Vermijd bij het openen van de klep boven op de lamineermachine contact met de interne rollen wanneer de machine is ingeschakeld of net is uitgeschakeld. De rollen kunnen een temperatuur bereiken van meer dan 126,7 °C.
- Houd handen en vingers weg van het scherpe slijblad bij de filmuittgang.
- Plaats de lamineermachine niet op een instabiele wagen, standaard of tafel. De lamineermachine kan van een instabiel oppervlak vallen, wat ernstig lichamelijk letsel kan veroorzaken. Bij het verplaatsen van de lamineermachine op een wagen of standaard mag niet plotseling worden gestopt, te hard worden geduwd of over een oneffen oppervlak worden gereden.
- Elektrische en mechanische veiligheidsvoorzieningen zoals vergrendelingen, schermen en kappen mogen niet worden omzeild of verwijderd.
- Steek geen items in de machine die niet geschikt zijn om gelamineerd te worden.
- Houd de machine uit de buurt van vloeistoffen.



**LET OP:** het stopcontact moet zich in de buurt van de machine bevinden en gemakkelijk toegankelijk zijn. Gebruik geen verlengsnoer.

## Elektrische voorzorgsmaatregelen

- Sluit de machine aan op een goed bereikbaar, geaard stopcontact in de buurt van de machine.
- Deze lamineermachine moet worden aangesloten op de netspanning die overeenkomt met de spanningswaarde op het serienummerplaatje op de achterkant van de machine.
- Haal de stekker uit het stopcontact voordat u de lamineermachine verplaatst of wanneer deze langere tijd niet wordt gebruikt.
- Gebruik de lamineermachine niet als het netsnoer of de stekker beschadigd is.
- Zorg ervoor dat het stopcontact niet wordt overbelast, omdat dit brand of een elektrische schok kan veroorzaken.
- Wijzig de stekker niet. Deze stekker is samengesteld voor de juiste netvoeding.
- De machine is alleen bedoeld voor gebruik binnen.
- Haal de stekker uit het stopcontact en houd het snoer vast terwijl u de lamineermachine verplaatst.
- Gebruik de lamineermachine niet als het netsnoer of de stekker beschadigd is, als zich een storing voordoet of als de lamineermachine beschadigd is. Neem contact op met een erkende GBC-reparateur voor hulp.

## Afgedankte elektrische en elektronische apparatuur (AEEA)

Wanneer uw product het einde van zijn nuttige levensduur heeft bereikt, wordt het beschouwd als AEEA. Daarom is het belangrijk u op het volgende te wijzen:

AEEA mag niet samen met het ongesorteerd stedelijk afval worden verwijderd. Deze apparatuur moet gescheiden worden ingezameld, op zodanige wijze dat de apparatuur kan worden gedemonteerd zodat de onderdelen en materialen ervan kunnen worden gerecycled, hergebruikt en teruggewonnen (als brandstof voor terugwinning van energie bij de productie van elektriciteit).

Door gemeenten zijn openbare inzamelpunten opgezet voor het inzamelen van AEEA, waar u de apparatuur kosteloos kunt inleveren.

Lever uw AEEA in bij het inzamelpunt dat het dichtst bij uw huis of kantoor ligt.

Indien u geen inzamelpunt kunt vinden, kunt u uw afgedankte elektrische en elektronische apparatuur inleveren bij de winkel waar u het product hebt gekocht.

Wanneer u geen contact meer hebt met de winkel, neemt u contact op met ACCO voor hulp.

Recycling van AEEA is gericht op de bescherming van het milieu, de bescherming van de gezondheid van de mens, het behoud van grondstoffen, de verbetering van duurzame ontwikkeling, en een betere grondstoffenvoorziening in de Europese Unie. Dit wordt bereikt door het herwinnen van waardevolle secundaire grondstoffen en het verminderen van de hoeveelheid te verwijderen afval. U kunt bijdragen aan het succes van deze doelstellingen door uw AEEA in te leveren bij een daarvoor bestemd inzamelpunt.

Uw product is voorzien van het AEEA-symbool (een doorgekruiste verrijdbare afvalbak). Dit symbool geeft aan dat AEEA niet samen met ongesorteerd stedelijk afval mag worden verwijderd.

## Garantie

Het gebruik van deze machine is gegarandeerd voor twee jaar vanaf de datum van aankoop, uitgaand van normaal gebruik. Binnen de garantieperiode zal ACCO Brands Europe naar eigen oordeel de defecte machine kosteloos repareren of vervangen. Defecten die te wijten zijn aan verkeerd gebruik of gebruik voor ongeschikte doeleinden, vallen niet onder de garantie. Bewijs van de datum van aankoop is vereist. De garantie vervalt wanneer er reparaties of veranderingen worden uitgevoerd door personen die niet door ACCO Brands Europe zijn bevoegd. Het is ons doel ervoor te zorgen dat onze producten functioneren volgens de vermelde specificaties. Deze garantie maakt geen inbreuk op de wettelijke rechten van consumenten onder de geldende nationale wetgeving met betrekking tot de verkoop van goederen.



<b>Snabbstartsguide</b>	<b>76</b>
<b>Kontrollpanel</b>	<b>77</b>
<b>Specifikationer</b>	<b>77</b>
<b>Installation</b>	<b>78</b>
<b>Funktionsguide</b>	<b>79</b>
<b>Användning</b>	<b>81</b>
<b>Felsökning</b>	<b>83</b>
<b>Säkerhet</b>	<b>85</b>



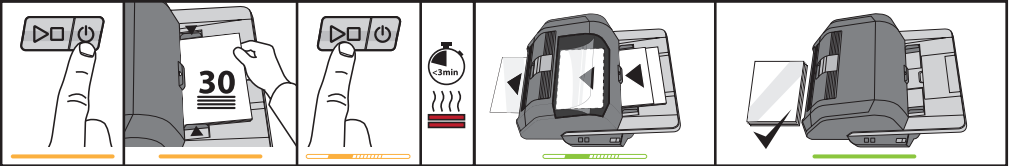
MODE	Feed Cut	
	Auto	Auto
	Manual	Auto

≤120gsm

30

A3/A4

Auto Feed / Auto Cut Mode



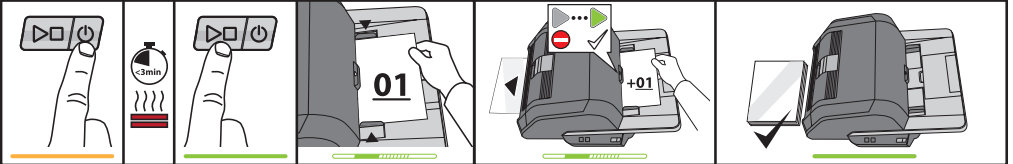
MODE	Feed Cut	
	Auto	Auto
	Manual	Auto

≥120gsm

01

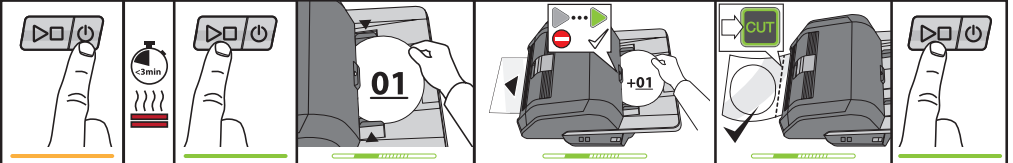
A3/A4

Manual Feed / Auto Cut Mode








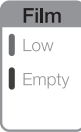

MODE	Feed Cut	
	Auto	Auto
	Manual	Auto

Manual Feed / Manual Cut Mode





## Kontrollpanel

 Run/Stop Power	<b>Power:</b> sätter på enheten och påbörjar uppvärmningsprocessen. Tryck igen för att stänga av enheten. <b>Run/Stop:</b> startar och stoppar lamineringen.
	<b>Mode:</b> tryck för att växla mellan driftlägen.
	<b>Statusindikator:</b> indikerar tillståndet Uppvärmning, Klar, Kör och Fel.
	<b>Klarlampa för manuell inmatning:</b> indikerar när du ska infoga dokument vid manuella inmatningslägen.
	<b>Aktiverar avskäraren:</b> tryck på knappen i läget manuell inmatning/manuell skärning för att separera dokument. <b>Viktigt! Kontrollera att lamineringen är färdig före användning.</b>
	<b>Filmstatus:</b> <i>Low</i> indikerar att det återstår film för ca 30 dokument. <i>Empty</i> indikerar att filmpatronen måste bytas ut för att lamineringen ska fortsätta.
	<b>Feltillstånd:</b> <i>Door</i> indikerar att en lucka är öppen. <i>Jam</i> indikerar att ett dokument har fastnat. <i>Cutter</i> indikerar ett fel med avskäraren

## Service

Registrera och aktivera garantin på [www.gbceurope.com](http://www.gbceurope.com)

Information om din lokala servicerepresentant finns på [www.gbceurope.com](http://www.gbceurope.com)



Produkter som är märkta med denna symbol uppfyller alla tillämpliga gemenskapsförfordningar för det Europeiska ekonomiska samarbetsområdet.



Använd endast laminatorn inomhus.

## SPECIFIKATIONER

<b>Model</b>	FOTON 30
<b>Drifhastighet</b>	75 mikroner: 700mm/min 100 mikroner: 670mm/min 125 mikroner: 650mm/min
<b>Driftlägen</b>	Auto Feed / Auto Cut (Automatisk inmatning/autoskärning) Manual Feed / Auto Cut (Manuell inmatning/autoskärning) Manual Feed / Manual Cut (Manuell inmatning/manuell skärning)
<b>Uppvärmningstid</b>	75 mikroner: 3 minuter 100 mikroner: 3,5 minuter 125 mikroner: 4 minuter
<b>Maximal inmatningskapacitet</b>	30 ark (80 gsm-papper)
<b>Maximal filmbredd</b>	306mm
<b>Maximal dokumentjocklek</b>	250 gsm (manuell inmatning)
<b>Dokumentlängder som stöds</b>	Minst: 152mm Max: 432mm
<b>Dokumentbredder som stöds</b>	Minst: 127mm Max: 297mm
<b>Mediets vikt för automatisk inmatning</b>	Hög tillförlitlighet: 64–120 gsm Varierande tillförlitlighet: 121–220 gsm
<b>Mediets vikt för manuell inmatning</b>	64-250gsm
<b>Mått</b> • Bredd • Höjd • Djup • Vikt	Enhet 57,7 cm 24,5 cm 47,8 cm 9,5 kg
<b>Automatisk avstängning</b>	Efter 15 minuters inaktivitet
<b>Elektriska krav</b>	220-240V, 50/60Hz
<b>Säkring</b>	Ja (internt & ej utbytbart)
<b>Driftsmiljö</b>	5-35C Maximal altitud på 2,000m

## INSTALLATION

### Service



**WARNING:** Försök inte att utföra service eller reparationer på laminatorn. Underlåtenhet att följa den här varningen kan leda till allvarliga personskador och innebära livsfar.

Koppla bort kontakten från eluttaget och kontakta kundtjänst om något av följande inträffar:

- Elkabeln eller kontakten har skadats.
- Det har runnit ned vätska i laminatorn.
- Laminatorn har använts fel och fungerar sedan inte som den ska.
- Laminatorn fungerar inte enligt beskrivningen i bruksanvisningen.

### Installation

- Fraktskador ska omedelbart rapporteras till fraktföretaget som levererade maskinen.
- Placera laminatorn på ett stabilt underlag som håller för 23 kg.
- Ytan ska vara minst 0,75 m hög för att säkerställa bekväm positionering under drift. Alla fyra gummifötterna ska vila mot underlaget.
- Sätt i stickproppen i ett lämpligt nätuttag. Undvik att ansluta annan utrustning till samma elkrets, eftersom kretsbrytaren då kan lösas ut eller säkringarna gå.
- Laminatorn ska placeras på så sätt att utmatad film kan falla fritt ned mot en platt yta. En ansamling av laminerade dokument kan när de lämnar laminatorn orsaka papperskvadd.
- Undvik att placera laminatorn nära källor till värme eller kyla. Ställ den inte direkt framför en fläkt, varmlufts- eller kallluftblås.

### Ta hand om din Foton 30

Den enda skötselrutin som krävs av användaren är regelbunden rengöring av valsarna. Rena valsar säkerställer att slutprodukterna inte skadas av smuts och ansamlade limrester.



**OBS!** rutinen nedan ska utföras medan laminatorn är varm. Var ytterst försiktig.



**WARNING:** Använd aldrig rengöringsmedel eller lösningsmedel på valsarna.



**WARNING:** Försök inte att använda film med lim som är märkt som brandfarligt.



**WARNING:** Utsätt inte laminatorn för vätska.

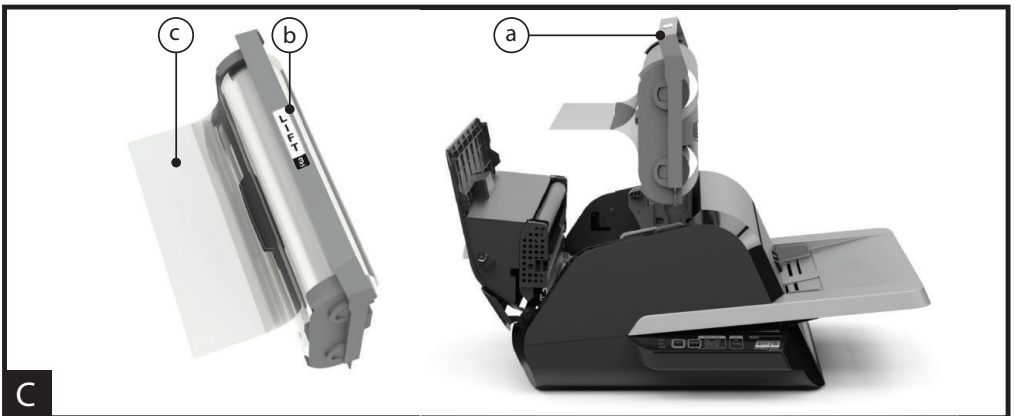
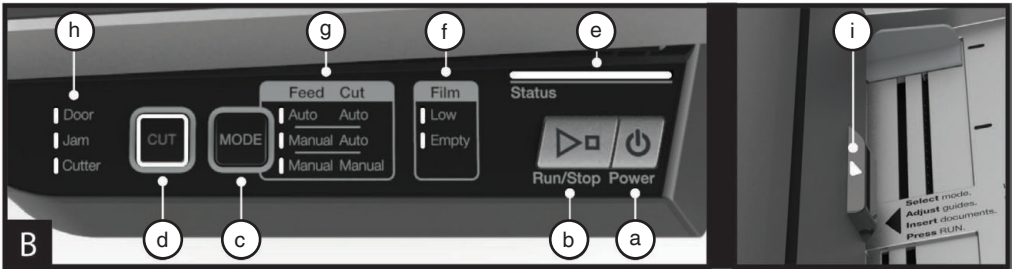
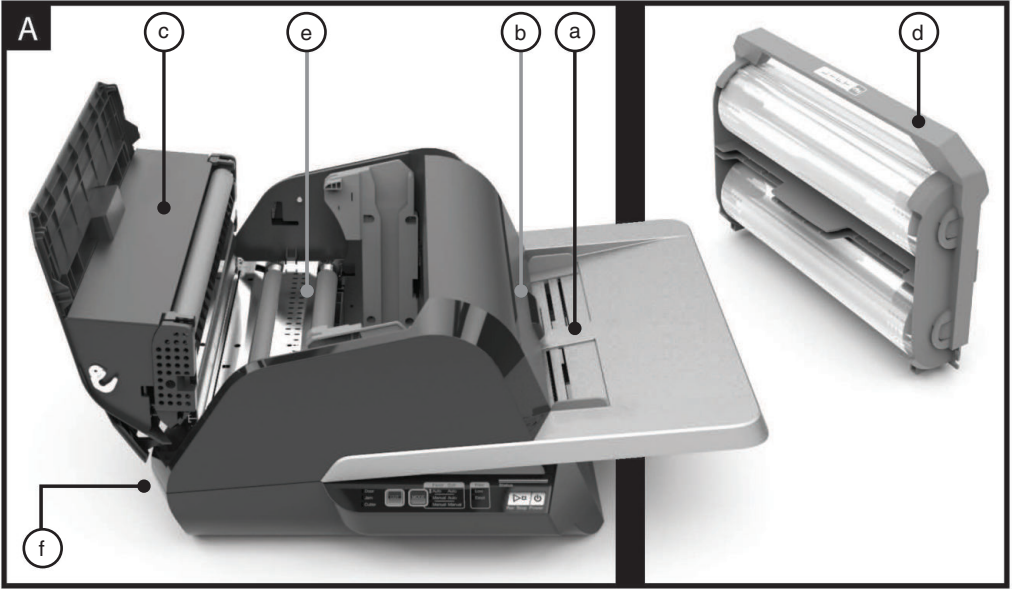
1. Sätt på maskinen och vänta tills den är helt uppvärmd.
2. Öppna lamineringsluckan med silverspärren.
3. Rengör de övre valsarna med en ren, fuktad och luddfri trasa. Om det finns ansamlade limrester kan du använda isopropylalkohol i stället för vatten.
4. Lyft filmens framkant uppåt mot patronens handtag.
5. Rengör de undre valsarna med en ren, fuktad och luddfri trasa. Om det finns ansamlade limrester kan du använda isopropylalkohol i stället för vatten.
6. Placera filmens framkant i rätt läge och stäng luckan.
7. Håll knappen RUN/STOP intryckt i 5-7 sekunder för att mata fram valsarna.
8. Öppna lamineringsluckan med silverspärren.
9. Upprepa steg 3-6.

**OBS!** Använd inte skurkuddar av metall för att göra rent värmevalsarna!



**WARNING:** Laminera inte föremål med glitter på eller föremål av metall. Då kan valsarna skadas.

Sidkåporna och matningsbrickan kan rengöras med en luddfri trasa och mild tvättmedelslösning.



## FUNKTIONSGUIDE

### A. GETTING TO KNOW YOUR LAMINATOR:

(Shown in image A above)

#### a) LÄR KÄNNA DIN LAMINATOR:

- i) Placera dokument som ska lamineras och använd sidoskenorna för att minimera skevhet. Fäll ut förlängningen för större dokument.

#### b) MATARE/MATARLUCKA:

- i) Matar in dokumentet i laminatorn. En röd lampa på luckan indikerar att en felmatning har inträffat. Öppna luckan för att ta bort felinmatningar.

#### c) LAMINERINGSLUCKA:

- i) Dörr som ger tillgång till de inre delarna av laminatorn: valsar, filmpatronen etc.
- ii) För att öppna: lyft upp luckan med hjälp av silverspärren.
- iii) För att stänga: sänk försiktigt ned luckan med hjälp av silverspärren och tryck så att spärren stängs. Tryck INTE på lamineringsluckan för att stänga den.

#### d) FILMPATRON:

- i) Byt ut filmpatronen när den är tom eller när en annan filmtjocklek krävs. Se "LADDNING AV FILMPATRON" för mer information.

#### e) LAMINATORVALSAR:

- i) Valsarna värms upp för att aktivera limmet på filmen och använder tryck för att se till att filmen fastnar på dokumentet.

#### f) AUTOSKÄRNING:

- i) Autoskärnings-läget detekterar avskäraren den ledande och avslutande kanten på dokumentet och skär filmen. I läget för manuell skärning kommer filmen att skäras när CUT-knappen trycks in.

### B. KONTROLLPANEL:

(Visas i bild B ovan)

#### KNAPPAR

- a) **POWER** – slår på/av maskinen. Efter 15 minuter utan användning stängs maskinen av automatiskt.

- b) **RUN/STOP** – används för att starta och stoppa laminatorn.

- i) Dubbel funktion – manuell frammatning: Håll knappen nedtryckt för att mata fram valsarna. Detta kan användas för att rensa papperskvadd och ta bort skräp vid rengöring.

- c) **MODE** – låter användaren växla mellan tre driftlägen.

- i) Auto Feed / Auto Cut (automatisk inmatning/ autoskärning) – bäst för standardpappersstorlekar som är utskrivna på 80–120 gsm-papper.
- ii) Manual Feed / Auto Cut (Manuell inmatning/ autoskärning) – bäst för standardpappersstorlekar

på tyngre papper som inte kan använda automatisk inmatning.

- iii) Manual Feed / Manual Cut (manuell inmatning/ manuell skärning) – bäst för udda formade och icke-rektangulära dokument.

- d) **CUT** – genom att trycka på den här knappen aktiveras avskäraren för att skära igenom filmen en gång. Den här knappen används främst i läget för manuell skärning.

#### INDIKATORER

- e) **STATUS** – meddelar maskinens status:

- i) Stadigt grönt = klar att använda.
- ii) Grön blinkande sekvens = kör.
- iii) Stadigt gult = värmer upp.
- iv) Gul blinkande sekvens = värmer upp och RUN-kommandot accepteras. Lamineringen börjar när den är klar.
- v) Stadigt rött = felstatus

- f) **FILM** – en LED-lampa visar när filmen börjar ta slut (ca 30 % kvar) eller är slut.

- i) Låg nivå = Gul LED-lampa.
- ii) Slut = Röd LED-lampa.

- g) **MODE** – grön LED-lampa identifierar vilket driftläge maskinen är i.

- h) **FELMEDDELANDE** – visar felmeddelanden som måste lösas.

- i) **DOOR** (dörr): en eller båda dörrarna är öppna.
- ii) **JAM** (stopp): maskinen kan stöta på två typer av pappersstopp:

1. Laminatorstopp: håll RUN-knappen intryckt för att mata fram valsarna och ta bort pappersstoppet.
2. Matningsstopp: öppna matarluckan och ta bort pappret.

- iii) **CUTTER** (avskärare): avskäraren kan inte slutföra en fullständig skärcykel.

- iv) **MANUELL INMATNINGSINDIKATOR** – meddelar när maskinen är klar genom att lysa GRÖNT så att nästa dokument kan matas in manuellt. Sitter på matarluckan.

### C. FILMPATRON:

(Visas i bild C ovan)

- a) **PATRON** – sätts in i laminatorn.

- b) **PATRONETIKETT** – indikerar filmtjocklek. Sitter ovanpå handtaget.

- c) **FILMENS FRAMKANT** – den förseglade framkanten på filmen. Denna kant måste placeras vänd mot maskinens utlopp.





## ANVÄNDNING

### DRIFTLÄGEN:

#### AUTO FEED / AUTO CUT (AUTOMATISK INMATNING/AUTOSKÄRNING)

**OBS!** Bäst för dokument med standardpappersstorlek som skrivs ut på 80–120 gsm-papper.

1. Tryck på strömbrytaren för att slå på maskinen. Maskinen startas automatiskt i läget automatisk inmatning/autoskärning.
2. Placera dokumentet/dokumenterna i MATNINGSBRICKAN.
3. Skjut sidoskenorna så att de passar dina dokument för att minimera skevhet under lamineringen.
4. Tryck på RUN-knappen:

**OBS!** Om RUN trycks ned innan maskinen har värmts upp helt kommer statusfältet att vara gult och blinka i en sekvens. Laminatorn har godkänt att kommandot och lamineringen startar automatiskt när maskinen når rätt temperatur.

5. Dokumenten kommer att lamineras automatiskt och beskärs automatiskt när de matas ut ur maskinen.

**OBS!** Om du trycker på STOP medan dokumentet fortfarande matas genom laminatorn kommer maskinen att slutföra lamineringen av dokumentet innan den stannar.

#### MANUAL FEED / AUTO CUT (MANUELL INMATNING/AUTOSKÄRNING)

**OBS!** Bäst för rektangulära standardpappersstorlekar på tyngre papper som inte kan använda automatisk inmatning.

1. Tryck på strömbrytaren för att slå på maskinen.
2. Välj Manuell inmatning/autoskärning-läget genom att trycka på lägesknappen (MODE).
3. Vänta tills maskinen har uppnått rätt temperatur: statuslampan lyser grönt.
4. Placera endast det första dokumentet i matningsbrickan. Dokumentet måste placeras i mitten av matningsbrickan och tillräckligt långt in i mataren för att dokumentet ska "greppas".
5. Tryck på RUN-knappen. Dokumentet kommer att börja matas in i laminatorn
6. När det första dokumentet börjar lamineras väntar du tills den manuella inmatningsindikatorn lyser grönt. När lampan lyser kan nästa dokument matas in manuellt. Upprepa processen ett ark i taget tills jobbet är slutfört.
7. Manuellt inmatade dokument kommer att lamineras och skäras automatiskt när de lämnar maskinen.
8. När det sista dokumentet har lämnat maskinen och skurits kommer maskinen att stanna automatiskt.

#### MANUAL FEED / MANUAL CUT (MANUELL INMATNING/MANUELL SKÄRNING)

**OBS!** Det här läget används främst för udda format eller icke-rektangulära dokument som inte kan använda Automatisk inmatning.

1. Tryck på strömbrytaren för att slå på maskinen.
2. Välj läget för manuell inmatning/manuell skärning genom att trycka på lägesknappen (MODE).
3. Vänta tills maskinen har uppnått rätt temperatur: statuslampan lyser grönt.
4. Placera endast det första dokumentet i matningsbrickan. Dokumentet måste placeras i mitten av matningsbrickan och tillräckligt långt in i mataren för att dokumentet ska "greppas".
5. Tryck på RUN-knappen. Dokumentet kommer att börja matas in i laminatorn.
6. När det första dokumentet börjar lamineras väntar du tills den manuella inmatningsindikatorn lyser grönt. När lampan lyser kan nästa dokument matas in manuellt. Upprepa processen ett ark i taget tills jobbet är slutfört.
7. Tryck på CUT-knappen för att aktivera avskäraren när du vill skära av filmen.

**OBS!** Vi rekommenderar att du trycker på CUT-knappen när du ser hela dokumentet utanför maskinen för att undvika att skära igenom dokumentet.

8. När det sista dokumentet har lämnat maskinen trycker du på STOP-knappen för att stoppa lamineringsprocessen.
9. När laminatorn har stannat trycker du på CUT för att skära den kvarvarande filmen som har lämnat maskinen.

### LADDNING AV FILMPATRON

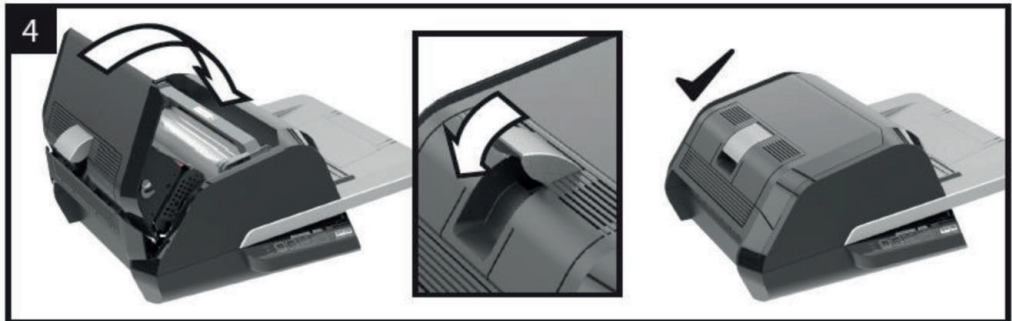
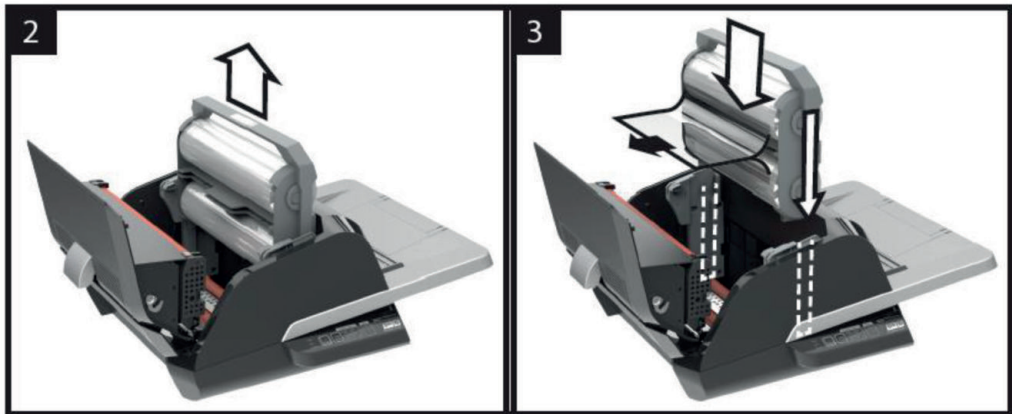
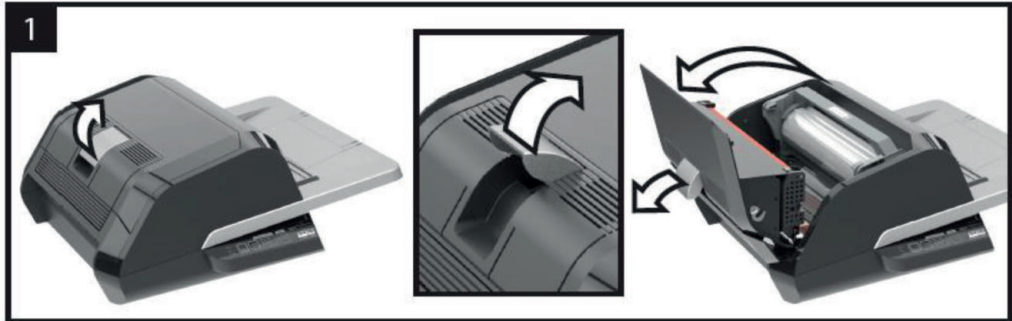
(Bilderna 1–4 demonstrerar den här processen)



**OBS!** följande rutin kan utföras medan laminatorn är varm. Var ytterst försiktig.

1. Öppna lamineringsluckan: Öppna lamineringsluckan genom att helt höja silverspärren på maskinens ovsida och dra uppåt tills luckan öppnas helt.
  2. Ta bort patronen: Lyft patronhacket uppåt för att ta bort den installerade patronen.  
**OBS!** fulla patroner tenderar att vara tunga.
  3. Sätt in patronen: Sätt in ersättningspatronen genom att justera patronernas kanter så att de ligger över de grå kanalledarna och sänka ned den.
- OBS!** Patronen ska sättas in så att den främre kanten av filmen är vänd mot maskinens utlopp, bort från mataren.
4. Stäng lamineringsluckan: Stäng lamineringsluckan genom att försiktigt sänka luckan och helt stänga silverspärren ovanpå. Tryck INTE på lamineringsluckan för att stänga den. Använd spärren.
  5. Se till att patronen är helt isatt: indikatorn som visat att filmen är tom tänds när ingen patron är installerad eller om patronen inte är korrekt installerad.

**OBS!** När laminatorn når rätt temperatur kommer maskinen att mata ut ungefär 23 cm film genom valsarna för att motverka potentiella rynkor i filmen.





## FELSÖKNING

SYMPTOM	MÖJLIG ORSAK	AVHJÄLPANDE ÅTGÄRD
Om du trycker på strömknappen slås maskinen inte på.	Elkabeln kanske inte är isatt hela vägen in i uttaget.	Sätt i kontakten helt i uttaget. Se till att uttaget har ström.
Statusindikatorn är röd:	Felindikator för dörr är röd:  Indikator för pappersstopp är röd:  Indikator för tom film är röd:  Felindikator för avskäraren är röd:	<p>Ta bort eventuellt papper från matningsbrickan. Öppna och stäng både lamineringsluckan och matarluckan. Se till att de är helt stängda.</p> <p>Ta bort eventuellt papper från matningsbrickan. Öppna och stäng matarluckan.</p> <p>Om felmeddelandet ovan inte försvinner trycker du på och håller in RUN-knappen i 10 sekunder för att mata fram filmen. Filmen ska börja komma ut ur maskinen och pappersstoppet ska upphöra.</p> <p>Om stoppelet kvarstår ska du öppna lamineringsluckan och se om filmens framkant fastnat på ett hinder eller valsarna. KLIPP INTE filmen. Lyft upp filmens framkant och placera den på rätt sätt. Stäng lamineringsluckan och håll RUN-knappen nedtryckt i 10 sekunder.</p> <p>Patronetikett som indikerar att rullen är slut har upptäckts. Byt ut filmpatronen mot den nya patronen och stäng lamineringsluckan.</p> <p>Tryck på CUT-knappen en gång för att försöka aktivera avskäraren. Om det inte fungerar kan du prova följande:</p> <p>Tryck och håll in RUN-knappen i ungefär 10–20 sekunder för att mata fram filmen. Om det finns ett laminerat dokument i utloppet från laminatorn håller du RUN-knappen intryckt tills dokumentet har lämnat laminatorn helt. Tryck nu på CUT-knappen för att se om avskäraren är aktiverad.</p> <p>Om filmen inte matas fram eller om avskäraren inte fungerar efter ovanstående steg kontaktar du din tjänsteleverantör.</p>
Filmen har rynkor på den laminerade produkten.	Feljusterad film	Håll RUN-knappen intryckt för att mata fram filmen. Efter att 125–500 mm film har matats fram ska rynkorna slätas ut. Om rynkorna är borta trycker du på CUT-knappen, så är du redo att börja.  Öppna lamineringsluckan om det fortfarande finns rynkor. Ta tag i filmen som lämnar laminatorn och håll den spänd samtidigt som du stänger den lamineringsluckan. Upprepa ovanstående steg och rynkorna bör försvinna.
Filmerna ligger inte kant i kant.	Övre och nedre filmrullar matchas inte korrekt.	Håll RUN-knappen intryckt för att mata fram filmen. När 125 mm film har matats fram ska filmkanterna vara jämnt justerade. Om filmkanterna nu är jämnt justerade trycker du på CUT-knappen, så är du redo att börja.  Öppna lamineringsluckan om filmkanterna fortfarande inte är jämnt justerade. Ta tag i filmen som lämnar laminatorn och håll den spänd samtidigt som du stänger den lamineringsluckan.

SYMPTOM	MÖJLIG ORSAK	AVHJÄLPANDE ÅTGÄRD
<p>Dokumenten är skeva i filmen när de matas ut.</p>	<p>Dokument som matas in är skeva.</p>	<p>Innan du fyller på pappersbunten kan du försöka att jämna ut papperens framkant mot en plan yta och sedan upprepa med den nedre eller övre kanten för att få papprena att justeras korrekt.</p> <p>Sätt in ditt media i matningsbrickan och skjut upp sidoskenorna upp till dess kanter.</p>
<p>Frekventa dubbelinmatningar</p> <p>Felinmatningar sker ofta</p>	<p>Papperet har kraftig statisk elektricitet.</p> <p>Valsarna kan inte plocka upp media och matar inte in arken.</p>	<p>Försök att fläkta materialet eller placera det i ett skakbord innan du matar in det. Om problemet kvarstår använder du läget för manuell inmatning/autoskärning.</p>



## SÄKERHET

### Säkerhet

**BÅDE DIN OCH ANDRAS SÄKERHET ÄR VIKTIG FÖR GBC. DET FINNS VIKTIG SÄKERHETSINFORMATION I DEN HÄR BRUKSANVISNINGEN OCH PÅ PRODUKTEN. INNAN DU INSTALLERAR ELLER ANVÄNDER ENHETEN SKA DU LÄSA OCH FÖLJA ALLA SÄKERHETSMEDELANDEN I DETTA KAPITEL NOGGRANT.**

Följ all säkerhetsinformation som ges. Följ alla säkerhetsvarningar. Ta aldrig bort säkerhetsvarningar eller annan information från utrustningen.

Läs alla instruktioner och spara dessa instruktioner för framtida bruk.



Den här varningssymbolen visas före all säkerhetsinformation i bruksanvisningen. Symbolen betyder att det finns risk för personskador eller skador på produkten eller annan egendom.



Den här varningssymbolen anger att risk för elstöt föreligger. Den varnar dig för att öppna laminatorn och utsätta dig för farlig spänning.

FÖLJANDE VARNINGAR FINNS PÅ FOTON 30-LAMINATORN:



Öppna inte enheten. Användaren får inte utföra service på några komponenter inuti enheten. All service ska utföras av behörig servicepersonal.



**WARNING** – Het yta: Laminatorvalsarna kan nå temperaturer över 126,7 °C. Var försiktig och rör inte vid valsarna.



**WARNING:** Försök inte att utföra service eller reparationer på laminatorn.



**WARNING:** Anslut inte laminatorn till nätströmmen och försök inte att använda den förrän du har läst denna bruksanvisning i sin helhet. Förvara dessa anvisningar på en lämplig plats för framtida bruk.



**WARNING:** Denna enhet är inte avsedd att användas i det direkta synfältet på arbetsplatser med skärmar. För att undvika störande speglingar på arbetsplatser med skärmar måste denna enhet placeras utanför det direkta synfältet.

### Allmän säkerhetsinformation

- Använd endast laminatorn för de avsedda ändamålen enligt specifikationerna i bruksanvisningen.
- Håll händer, långt hår, lösa klädesplagg och föremål såsom halsband, slipsar osv. borta från matarvalsarna så att de inte kan fastna och dras in i mekanismen.
- När du öppnar luckan ovanpå laminatorn ska du undvika kontakt med de inre valsarna när laminatorn är på eller strax efter att laminatorn har stängts av. Valsarna kan komma upp i temperaturer på över 126,7 °C.
- Håll händer och fingrar på avstånd från det vassa bladet på filmavskäraren, som sitter där filmen matas ut.
- Placera inte laminatorn på instabila vagnar, stativ eller bord. Om laminatorn står ostadigt kan den falla, vilket kan leda till allvarliga personskador. Stanna inte plötsligt, skjut inte för hårt och se upp med ojämnheter i golvet när laminatorn ska flyttas omkring på en vagn eller ett stativ.
- Tjuvkoppla eller avlägsna inte elektriska och mekaniska säkerhetsmekanismer såsom förreglingar, kåpor och skydd.
- För inte in föremål som är olämpliga för laminering.
- Utsätt inte laminatorn för vätskor.



**OBS!** Väggtuttaget måste finnas lättåtkomligt nära maskinen. Använd inte en förlängningskabel.

## Elsäkerhetsinformation

- Utrustningen ska anslutas till ett lättillgängligt och jordat uttag nära utrustningen.
- Laminatorn får endast anslutas till matningsspänning som stämmer överens med de värden som anges på märkplåten på maskinens baksida.
- Koppla bort laminatorn från elnätet innan du flyttar den eller om den inte ska användas under en längre tid.
- Använd inte laminatorn om kabeln eller stickkontakten är skadade.
- Överbelasta inte eluttagen – det kan leda till brand eller elstötar.
- Gör inga ändringar på kontakten. Kontakten är utformad för rätt typ av elmatning.
- Maskinen är endast avsedd att användas inomhus.
- Dra ut kontakten ur uttaget som laminatorn är ansluten till och håll i elkabeln medan laminatorn flyttas.
- Använd inte laminatorn om kabeln eller stickkontakten är skadade, om ett fel uppstår eller om laminatorn har skadats. Kontakta en serviceverkstad som godkänts av GBC för hjälp.

## Avfall som utgörs av eller innehåller elektriska eller elektroniska produkter (WEEE)

När din produkt har tjänat ut betraktas den som WEEE. Det är därför viktigt att notera följande:

WEEE får inte bortskaffas som osorterat kommunalt avfall. Det ska samlas in separat på sådant sätt att det kan tas isär och beståndsdelarna och materialet materialåtervinnas, återanvändas och energiåtervinnas (i form av bränsle vid framställandet av elektricitet).

Offentliga insamlingspunkter har inrättas för insamling av WEEE, avgiftsfritt för dig.

Var vänligt lämna ditt WEEE till insamlingspunkten närmast hemmet eller arbetet.

Om du har svårighet att hitta en insamlingspunkt ska stället där du köpte produkten ta emot ditt WEEE.

Om du har förlorat kontakten med inköpsstället ber vid dig vända dig till ACCO för hjälp med detta.

Syftet med återvinning av WEEE är att slå vakt om miljön, skydda människors hälsa, bevara råmaterialen, stärka uthållig utveckling och säkerställa en bättre tillgång till varor inom EU. Detta kan uppnås genom att återvinna värdefulla sekundära råmaterial och minska bortskaffandet av avfall. Du kan bidra till att dessa mål uppnås genom att lämna ditt WEEE till en uppsamlingspunkt.

Din produkt är markerad med WEEE-symbolen (en soptunna med ett kryss över). Den symbolen betyder att detta WEEE inte får bortskaffas som osorterat kommunalt avfall.

## Garanti

Vid normal användning garanteras maskinens funktion i två år från inköpsdatum. ACCO Brands Europe reparerar eller ersätter efter eget gottfinnande defekta maskiner utan kostnad inom garantiperioden. Fel som har uppstått genom felaktig eller olämplig användning täcks inte av garantin. Kvitto med inköpsdatum måste kunna uppvisas. Garantin upphör att gälla om reparationer eller ändringar utförts av personer som inte är auktoriserade av ACCO Brands Europe. Vår målsättning är att se till att våra produkter uppfyller angivna specifikationer. Denna garanti påverkar inte konsumentens rättigheter enligt lag.



<b>Hurtig start guide</b>	<b>88</b>
<b>Betjeningselementer</b>	<b>89</b>
<b>Specifikationer</b>	<b>89</b>
<b>Installation</b>	<b>90</b>
<b>Guide til funktioner</b>	<b>91</b>
<b>Betjening</b>	<b>93</b>
<b>Fejlfinding</b>	<b>95</b>
<b>Sikkerhed</b>	<b>97</b>



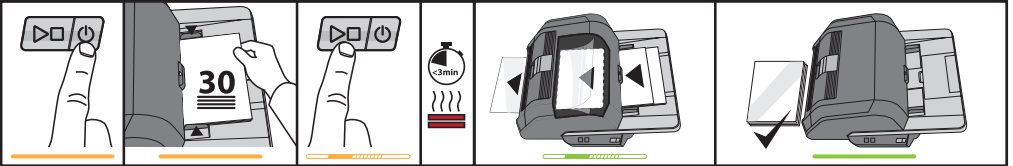
MODE	Feed Cut	
	Auto	Auto
	Manual	Auto

≤120gsm

30

A3/A4

Auto Feed / Auto Cut Mode



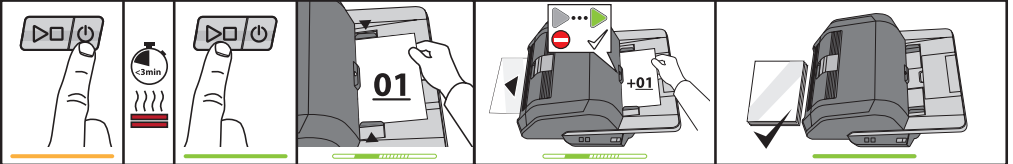
MODE	Feed Cut	
	Auto	Auto
	Manual	Auto

≥120gsm

01

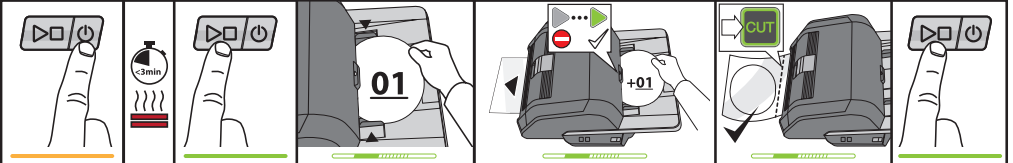
A3/A4

Manual Feed / Auto Cut Mode



MODE	Feed Cut	
	Auto	Auto
	Manual	Auto


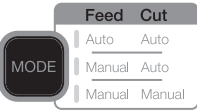





Manual Feed / Manual Cut Mode







## BETJENINGSELEMENTER

 Run/Stop Power	<b>Power:</b> Tænder enheden og starter opvarmningsprocessen. Tryk igen for at slukke. <b>Run/Stop:</b> Starter og stopper laminering.
	<b>Mode:</b> Tryk for at gå igennem driftstilstande.
 Status	<b>Statusindikator:</b> Angiver opvarmning, klar, kører og fejltilstande.
	<b>Klar-indikator for manuel indføringstilstand:</b> Angiver, hvornår dokument skal indsættes i manuelle indføringstilstande.
	<b>Aktiverer skærekniv:</b> Tryk i manuel indføringstilstand/manuel afskæringstilstand for at skille dokumenter ad. <b>Vigtigt! Kontrollér, at lamineringen er helt gennemført før brug.</b>
	<b>Foliestatus:</b> <i>Low</i> angiver, at der er folie tilbage til ca. 30 dokumenter. <i>Empty</i> angiver, at foliekassetten skal udskiftes, før du kan fortsætte.
	<b>Fejltilstande:</b> <i>Door</i> angiver en åben dør. <i>Jam</i> angiver et fastklemt dokument. <i>Cutter</i> angiver en fejl i skærekniven

## Servicearbejde

Gå til [www.gbceurope.com](http://www.gbceurope.com) for at registrere og aktivere garantien

Du kan få oplysninger om din lokale servicerepræsentant på [www.gbceurope.com](http://www.gbceurope.com)



Produkter, der er mærket med dette symbol, overholder alle gældende EU-regler i Det Europæiske Økonomiske Samarbejdsområde.



Brug kun lamineringsmaskinen indendørs.

## SPECIFIKATIONER

<b>Model</b>	FOTON 30
<b>Driftshastighed</b>	75 mikrons: 700mm/min 100 mikrons: 670mm/min 125 mikrons: 650mm/min
<b>Driftstilstande</b>	Automatisk indføring/ automatisk skæring Manuel indføring/ automatisk skæring Manuel indføring/manuel skæring
<b>Opvarmningstid</b>	75 mikrons: 3 min 100 mikrons: 3,5 min 125 mikrons: 4 min
<b>Maksimal indføringseffektivitet</b>	30 ark (80 g/m <sup>2</sup> papir)
<b>Maksimal foliebredde</b>	306mm
<b>Maksimal dokumenttykkelse</b>	250 g/m <sup>2</sup> (manuel indføring)
<b>Understøttede dokumentlængder</b>	Minimum: 152 mm Maksimum: 432 mm
<b>Understøttede dokumentbredder</b>	Minimum: 127 mm Maksimum: 297 mm
<b>Medievægt til automatisk indføring</b>	Høj driftssikkerhed: 64-120 g/m <sup>2</sup> Variabel driftssikkerhed: 121-220 g/m <sup>2</sup>
<b>Medievægt til manuel indføring</b>	64-250gsm
<b>Dimensioner</b>	Maskine
• Bredde	57,7 cm
• Højde	24,5 cm
• Dybde	47,8 cm
• Vægt	9,5 kg
<b>Automatisk nedlukning</b>	Efter 15 minutters inaktivitet
<b>Krav til elektricitet</b>	220-240V, 50/60Hz
<b>Sikring</b>	Ja (indbygget og ikke-udskiftelig)
<b>Driftsmiljø</b>	5-35 °C Maksimal højde over havet: 2.000 m

## INSTALLATION

### Eftersyn



**ADVARSEL:** Forsøg ikke selv at udføre eftersyn på eller reparere lamineringsmaskinen. Manglende efterlevelse af denne advarsel kan medføre alvorlig personskade eller dødsfald.

Tag stikket ud af stikkontakten, og kontakt kundeservice, når én eller flere af følgende omstændigheder er indtrådt.

- Strømforsyningsledningen eller stikket er beskadiget.
- Der er spildt væske i lamineringsmaskinen.
- Lamineringsmaskinen fungerer ikke korrekt som følge af fejlhåndtering.
- Lamineringsmaskinen fungerer ikke som beskrevet i disse instruktioner.

### Installation

- Speditøren skal gøres opmærksom på eventuelle forsendelsesskader med det samme.
- Anbring lamineringsmaskinen på en stabil, plan overflade, der kan bære 23 kg.
- Fladen skal være mindst 0,75 m høj for at sikre en behagelig placering under brug. Alle fire gummifødder skal være i kontakt med den bærende overflade.
- Sæt strømledningen i en passende strømkilde. Undgå at tilslutte andet udstyr til den samme strømgren, som lamineringsmaskinen er tilsluttet, da dette kan forårsage generende udkobling eller brændte sikringer.
- Lamineringsmaskinen skal placeres, så folie, der skydes ud af maskinen, frit kan falde ned på en plan overflade. Hvis de laminerede dokumenter hober sig op, når de kommer ud af lamineringsmaskinen, kan der opstå papirstop.
- Undgå at placere lamineringsmaskinen nær kulde- eller varmekilder. Undgå at placere lamineringsmaskinen i umiddelbar nærhed af forceret opvarmet eller afkølet luft.

### Vedligeholdelse af din Foton 30

Den eneste vedligeholdelse, der kræves af brugeren, er regelmæssig rengøring af rullerne. Når rullerne holdes rene, sikres det, at dine færdige genstande ikke beskadiges af snavs og ophobet klæbestof.



**FORSIGTIG:** Følgende procedure udføres, mens lamineringsmaskinen er varm. Vær yderst forsigtig.



**ADVARSEL:** Påfør ikke rengøringsvæsker eller opløsningsmidler på rullerne.



**ADVARSEL:** Forsøg ikke at anvende folie med klæbestoffer, der er mærket "brandfarlig".



**ADVARSEL:** Udsæt ikke lamineringsmaskinen for væsker.

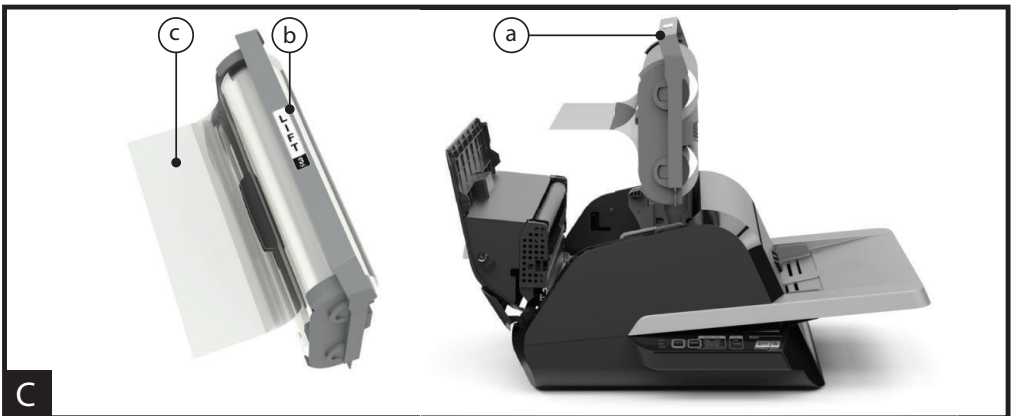
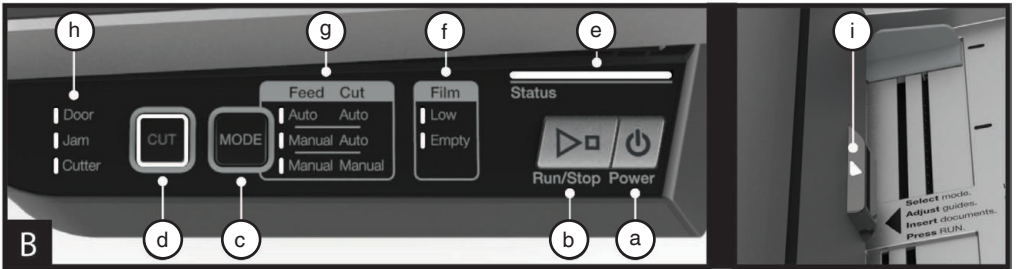
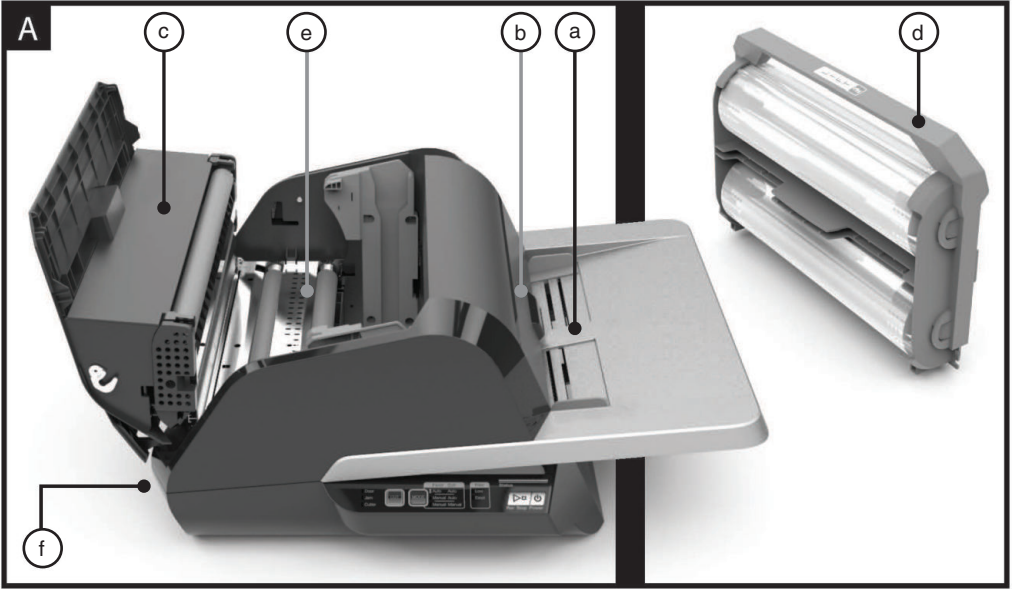
1. Tænd for maskinen, og vent på, at den er varmet helt op.
2. Åbn lamineringsmaskinens låge ved hjælp af den sølvfarvede klinge.
3. Rengør de øverste ruller med en ren, fugtig, fnugfri klud. I tilfælde af ophobet klæbestof kan du bruge isopropylalkohol i stedet for vand.
4. Løft foliens forkant op mod kassetten's håndtag.
5. Rengør de nederste ruller med en ren, fugtig, fnugfri klud. I tilfælde af ophobet klæbestof kan du bruge isopropylalkohol i stedet for vand.
6. Anbring foliens forkant i den korrekte position, og luk lågen.
7. Tryk på knappen RUN/STOP (Kør/stop), og hold den nede i 5-7 sekunder for at køre rullerne frem.
8. Åbn lamineringsmaskinens låge ved hjælp af den sølvfarvede klinge.
9. Gentag trin 3-6.

**Bemærk:** Brug ikke skuresvampe af metal til at rengøre varmerullerne!



**ADVARSEL:** Du må ikke laminere genstande med glitter og/eller metalliske genstande. Dette kan medføre beskadigelse af rullerne.

The side covers, and feed table can be cleaned with a lint-free cloth and a mild detergent.



## GUIDE TIL FUNKTIONER

### A. LÆR DIN LAMINERINGSMASKINE AT KENDE:

(Vist i fig. A ovenfor)

#### a) INDFØRINGSBAKKE OG SIDESTYR:

- i) Anbring dokumentet/-erne, der skal lamineres, i bakken, og brug sidestyrene til at minimere skævheder. Slå forlængelsen til større dokumenter ud.

#### b) ARKFØDER/ARKFØDERENS LÅGE:

- i) Fører dokumentet ind i lamineringsmaskinen. Et rødt lys på lågen angiver, at der er opstået en fejl. Åbn lågen for at afhjælpe eventuelle fejl i indføringen.

#### c) LAMINERINGSMASKINENS LÅGE:

- i) Låge, der giver adgang til lamineringsmaskinens indvendige dele: ruller, foliekassette osv.
- ii) Sådan åbnes lågen: tag fat i den sølvfarvede klinge, og løft lågen opad.
- iii) Sådan lukkes lågen: sænk forsigtigt lågen ved hjælp af den sølvfarvede klinge, og tryk klingen fast, så den låser. Tryk IKKE ned på lamineringsmaskinens låge for at lukke den.

#### d) FOLIEKASSETTE:

- i) Udskift foliekassetten, når den er tom, eller når en anden folietykkelse er påkrævet. Se "ISÆTNING AF FOLIEKASSETTE" for at få flere oplysninger.

#### e) LAMINERINGSMASKINENS RULLER:

- i) Rullerne varmes op for at aktivere foliens klæbestof og lægger pres på folien for at sikre, at den klæber til dokumentet.

#### f) AUTOMATISK SKÆREKNIV:

- i) Når tilstanden Automatisk skæring er aktiveret, registrerer skæreknivens dokumentets forreste og bageste kant -og skærer folien over. I tilstanden Manuel skæring skærer den folien over, når der trykkes på knappen CUT (Skær).

## B. BETJENINGSPANEL:

(Vist i fig. B ovenfor)

### KNAPPER

- a) **POWER** (Tænd/sluk) – tænder/slukker for maskinen. Efter 15 minutters inaktivitet slukkes maskinen automatisk.

- b) **RUN/STOP** (Kør/stop) – bruges til at starte og stoppe lamineringsmaskinen.

- i) Dobbeltfunktion – manuel fremføring: Hold kontinuerligt knappen nede for at køre lamineringsmaskinens ruller frem. Denne funktion kan bruges til at afhjælpe papirstop og fjerne findelt materiale i forbindelse med rengøring.

- c) **MODE** (Tilstand) – giver brugerne mulighed for at skifte mellem tre driftstilstande.

- i) **Auto Feed / Auto Cut** (Automatisk indføring/automatisk skæring) – bedst til standardstørrelser trykt på 80-120 g/m<sup>2</sup> papir.

- ii) **Manual Feed / Auto Cut** (Manuel indføring/automatisk skæring) – bedst til standardstørrelser på kraftigt papir, der ikke kan indføres automatisk.

- iii) **Manual Feed / Manual Cut** (Manuel indføring/manuel skæring) – bedst til uregelmæssige og ikke-rektangulære dokumenter.

- d) **CUT** (Skær) – når du trykker på denne knap, aktiveres skæreknivens til at skære folien over én gang. Denne knap bruges primært i tilstanden manuel skæring.

### INDIKATORER

- e) **STATUS** – angiver maskinens status:

- i) Fast grønt lys = klar til brug.

- ii) Grøn blinksekvens = kører.

- iii) Fast gult lys = maskinen varmer op.

- iv) Gul blinksekvens = maskinen varmer op, og RUN-kommandoen blev accepteret. Lamineringen påbegyndes, når den er klar.

- v) Fast rødt lys = fejlstatus

- f) **FILM** (Folie) – LED-lyset angiver, at maskinen er ved at løbe tør for folie (ca. 30 % tilbage) eller allerede er løbet tør.

- i) Lavt niveau = Gult LED-lys.

- ii) Tom = Rødt LED-lys.

- g) **MODE** (Tilstand) – grønt LED-lys angiver den driftstilstand, maskinen befinder sig i.

- h) **FEJLMEDDELELSE** – giver besked om fejl, der skal udbedres.

- i) **DOOR** (Låge): den ene eller begge låger er åbne.

- ii) **JAM** (Papirstop): maskinen kan komme ud for to typer papirstop:

1. Papirstop i lamineringsmaskine: tryk på knappen RUN (Kør), og hold den nede for at køre rullerne frem og fjerne papirstoppet.

2. Papirstop i arkføder: åbn arkføderens låge, og fjern papiret.

- iii) **CUTTER** (Skærekniv): trimmeren kan ikke gennemføre en komplet skærecyklus.

- iv) **INDIKATOR FOR MANUEL INDFØRING** – giver besked, når maskinen er klar til at få det næste dokument indført manuelt, ved at lyse GRØNT. Placeret på arkføderens låge.

### C. FOLIEKASSETTE:

(Vist i fig. C ovenfor)

- a) **KASSETTE** – indsættes i lamineringsmaskinen.

- b) **KASSETTEMÆRKAT** – angiver folietykkelse. Findes oven på håndtaget.

- c) **FOLIENS FORKANT** – foliens forseglede forkant. Denne kant skal anbringes således, at den vender mod maskinens udløb.



## BETJENING

### DRIFTSTILSTANDE:

#### AUTO FEED / AUTO CUT (AUTOMATISK INDFØRING/ AUTOMATISK SKÆRING)

**Bemærk:** Bedst til dokumenter i standardformat, der er trykt på 80-120 g/m<sup>2</sup> papir.

1. Tryk på knappen POWER (tænd/sluk) for at TÆNDE maskinen. Maskinen starter automatisk i tilstanden Automatisk indføring/automatisk skæring.
2. Anbring dokumentet/-erne i INDFØRINGSBAKKEN.
3. Skub sidestyrene, så de passer til dokumentet/-erne for at minimere skævhed under laminering.
4. Tryk på knappen RUN (Kør):

**Bemærk:** Hvis der trykkes på RUN, inden maskinen er helt varmet op, lyser statusbjælken GULT og blinker i en sekvens. Lamineringsmaskinen har accepteret kommandoen, og lamineringen påbegyndes automatisk, når den korrekte temperatur er nået.

5. Dokumentet/-erne lamineres og trimmes automatisk, idet de kommer ud af maskinen.

**Bemærk:** Hvis du trykker på STOP, mens dokumentet er i færd med at blive ført gennem lamineringsmaskinen, færdiggør maskinen lamineringen af dokumentet, inden den standser.

#### MANUAL FEED / AUTO CUT (MANUEL INDFØRING/ AUTOMATISK SKÆRING)

**Bemærk:** Bedst til kraftigt papir i rektangulært standardformat, der ikke kan indføres automatisk.

1. Tryk på knappen POWER (tænd/sluk) for at TÆNDE maskinen.
2. Vælg tilstanden Manuel indføring/automatisk skæring ved at trykke på knappen MODE (Tilstand).
3. Vent på, at maskinen når den korrekte temperatur: Statusindikatoren lyser grønt.
4. Anbring kun det første dokument i indføringsbakken. Dokumentet skal anbringes midt på indføringsbakken og tilstrækkeligt langt inde i arkkøderen, så maskinen kan "gribe fat" i dokumentet.
5. Tryk på knappen RUN (Kør). Dokumentet begynder at føres ind i lamineringsmaskinen.
6. Når lamineringen af dit første dokument påbegyndes, skal du vente, indtil indikatoren for manuel indføring lyser grønt. Når indikatoren er begyndt at lyse, kan det næste dokument indføres manuelt. Gentag denne proces ét ark ad gangen, indtil jobbet er fuldført.
7. Manuelt indførte dokumenter lamineres og trimmes, idet de kommer ud af maskinen.
8. Når det endelige dokument er kommet ud af maskinen og er blevet skåret af, stopper maskinen automatisk.

#### MANUAL FEED / MANUAL CUT (MANUEL INDFØRING/ MANUEL SKÆRING)

**Bemærk:** Denne tilstand er bedst at anvende til uregelmæssige og ikke-rektangulære dokumenter, der ikke kan indføres automatisk.

1. Tryk på knappen POWER (tænd/sluk) for at TÆNDE maskinen.
2. Vælg tilstanden Manuel indføring/manuel skæring ved at trykke på knappen MODE (Tilstand).
3. Vent på, at maskinen når den korrekte temperatur: Statusindikatoren lyser grønt.
4. Anbring kun det første dokument i indføringsbakken. Dokumentet skal anbringes midt på indføringsbakken og tilstrækkeligt langt inde i arkkøderen, så maskinen kan "gribe fat" i dokumentet.
5. Tryk på knappen RUN (Kør). Dokumentet begynder at føres ind i lamineringsmaskinen.
6. Når lamineringen af dit første dokument påbegyndes, skal du vente, indtil indikatoren for manuel indføring lyser grønt. Når indikatoren er begyndt at lyse, kan det næste dokument indføres manuelt. Gentag denne proces ét ark ad gangen, indtil jobbet er fuldført.
7. Tryk på knappen CUT (Skær) for at aktivere skærekniiven, når du vil skære folien over.

**Bemærk:** Det anbefales at trykke på knappen CUT (Skær), når du ser hele dokumentet forlade maskinen, for at undgå, at der skæres igennem dokumentet.

8. Når det endelige dokument er kommet ud af maskinen, skal du trykke på knappen STOP for at stoppe lamineringsprocessen.
9. Når lamineringen er standset, skal du trykke på CUT (Skær) for at afskære den resterende folie, der har forladt maskinen.

### ISÆTNING AF FOLIEKASSETTE

(Fig. 1-4 illustrerer denne proces)



**FORSIGTIG:** den følgende procedure kan udføres, mens lamineringsmaskinen er varm. Vær yderst forsigtig.

1. Åbn lamineringsmaskinens låge: Åbn lamineringsmaskinens låge ved at løfte den sølvfarvede klinge ovenpå maskinen helt op og trække den opad, indtil lågen åbnes helt.
2. Fjern kassette: Løft opad i kassettehåndtaget for at fjerne den isatte kassette.

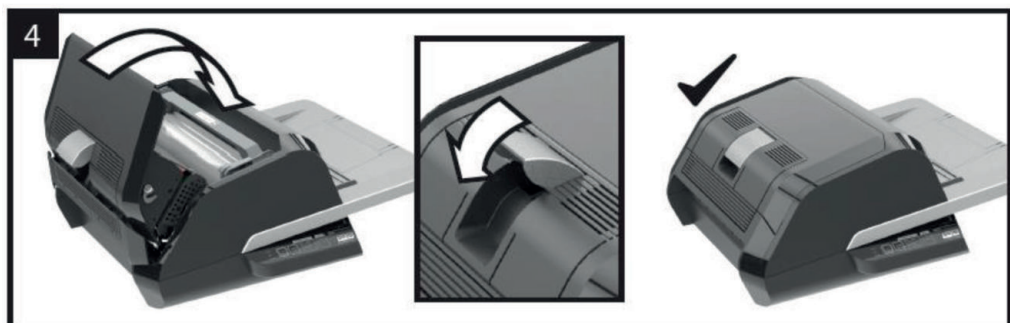
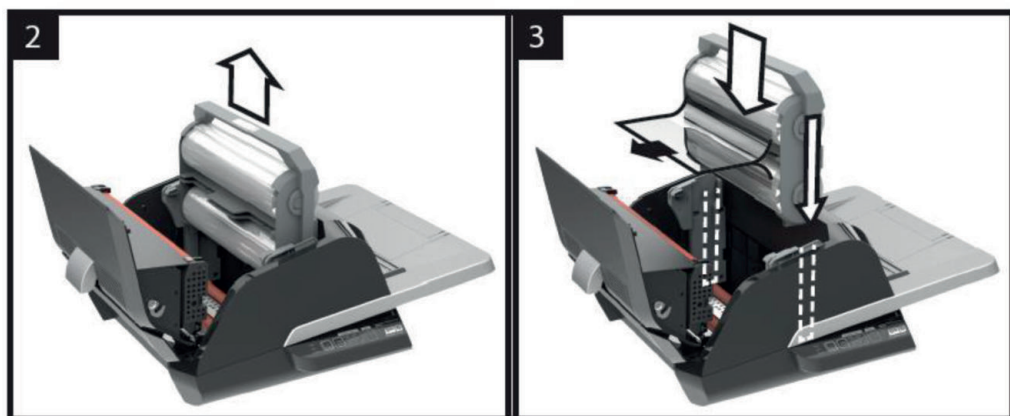
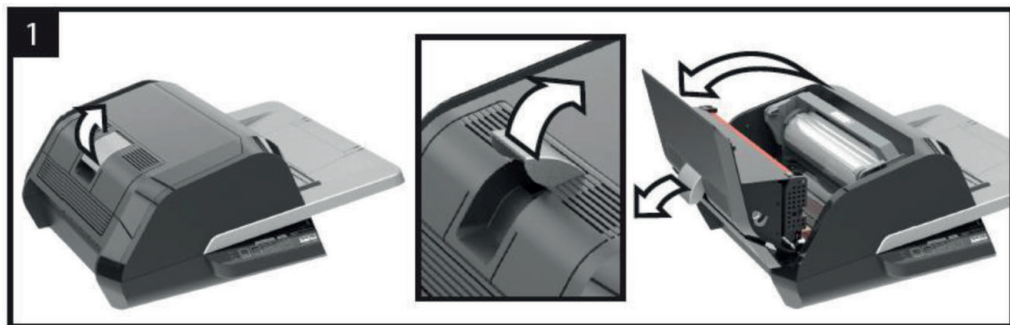
**FORSIGTIG:** fulde kassetter har tendens til at være tunge.

3. Isæt kassette: Isæt en ny kassette ved at rette kassetten kanter ind efter de grå kanalstyr og derefter sænke den.

**Bemærk:** Kassetten bør indsættes, så foliens forkant vender mod maskinens udløb og væk fra arkkøderen.

4. Luk lamineringsmaskinens låge: Luk lamineringsmaskinens låge ved forsigtigt at sænke lågen og lukke den sølvfarvede klinge på toppen helt. Tryk IKKE ned på lamineringsmaskinens låge for at lukke den. Brug i stedet klinken.
5. Sørg for, at kassetten er sat helt i: indikatoren for tom folie lyser, når der ikke er installeret en kassette, eller hvis kassetten ikke er installeret korrekt.

**Bemærk:** Når lamineringsmaskinen har fået den rette temperatur, skal der føres ca. 23 cm folie gennem rullerne for at eliminere potentielle rynker i folien.





## FEJLFINDING

SYMPTOM	MULIG ÅRSAG	AFHJÆLPENDE FORANSTALTNING
Maskinen tændes ikke, når du trykker på tænd/sluk-knappen.	Strømledningen er muligvis ikke sat korrekt i stikkontakten.	Sørg for, at stikket er sat korrekt i stikkontakten. Sørg for, at stikkontakten er strømførende.
Rød statusindikator:	Indikatoren for lågefejl lyser rødt:  Indikatoren for papirstop lyser rødt:  Indikatoren for tom folie lyser rødt:  Indikatoren for skærekniv lyser rødt:	Fjern eventuelt papir fra indføringsbakken. Åbn og luk både lamineringsmaskinens låge og arkføderens låge. Sørg for, at de er helt lukket.  Fjern eventuelt papir fra indføringsbakken. Åbn og luk arkføderens låge.  Hvis ovenstående ikke afhjælper fejlen, skal du trykke på knappen RUN (Kør) og holde den nede i 10 sekunder for at køre folien fremad. Folien bør begynde at køre ud af maskinen, og papirstoppet bør ryddes.  Hvis papirstoppet fortsætter, skal du åbne lamineringsmaskinens låge og undersøge, om foliens forkant har sat sig fast på en hindring eller på rullerne. <b>SKÆR IKKE</b> folien af. Løft foliens forkant, og anbring den korrekt. Luk lamineringsmaskinens låge, og hold knappen RUN (Kør) nede i 10 sekunder.  Kassettemærkatens, der angiver rullens afslutning, er blevet registreret. Udskift foliekassetten med ny kassette, og luk lamineringsmaskinens låge.  Tryk på knappen CUT (Skær) én gang for at forsøge at aktivere skærekniven. Hvis dette ikke virker, kan du prøve følgende:  Tryk på knappen RUN (Kør), og hold den nede i ca. 10-20 sekunder for at køre folien frem. Hvis der sidder et lamineret dokument i lamineringsmaskinens udløb, skal du holde knappen RUN (Kør) nede, indtil dokumentet har forladt lamineringsmaskinen helt. Tryk nu på knappen CUT (Skær) for at se, om skærekniven er aktiveret.  Hvis folien ikke kører frem, eller hvis skærekniven ikke fungerer efter ovenstående trin, skal du kontakte din tjenerestudbyder.
Rynker i folien på lamineret genstand.	Skævtjusteret folie	Tryk på knappen RUN (Kør), og hold den nede for at køre folien frem. Når 125-500 mm folie er blevet kørt frem, burde rynkerne forsvinde af sig selv. Hvis rynkerne er forsvundet, skal du trykke på knappen CUT (Skær), hvorefter du er klar til at gå i gang.  Hvis der stadig forekommer rynker, skal du åbne lamineringsmaskinens låge. Tag fat i folien, der kommer ud af lamineringsmaskinen, og hold den udstrakt, mens du lukker lamineringsmaskinens låge. Gentag ovenstående trin. Dette bør få rynkerne til at forsvinde.



SYMPTOM	MULIG ÅRSAG	AFHJÆLPENDE FORANSTALTNING
Foliekanterne er ikke ensartet indstillet.	De øverste og nederste folieruller er ikke afstemt korrekt.	<p>Tryk på knappen RUN (Kør), og hold den nede for at køre folien frem. Når 125 mm folie er blevet kørt frem, bør foliekanterne være ensartet indstillet. Hvis foliekanterne nu er ensartet indstillet, skal du trykke på knappen CUT (Skær), hvorefter du er klar til at gå i gang.</p> <p>Hvis foliekanterne stadig ikke er ensartet indstillet, skal du åbne lamineringsmaskinens låge. Tag fat i folien, der kommer ud af lamineringsmaskinen, og hold den udstrakt, mens du lukker lamineringsmaskinens låge.</p>
Dokumenterne ligger skævt i folien, når de kommer ud.	Dokumenter blev skævt indført.	<p>Før du ilægger papirstakken, kan du prøve at banke papirets forkant let mod en plan overflade og derefter gentage det med bunden eller den øverste kant for at få dine papirark til at flugte med hinanden.</p> <p>Indsæt dine medier i indføringsbakken, og skub sidestyrene op til kanten af medierne.</p>
<p>Hyppige dobbeltindføringer</p> <p>Hyppige fejl i indføringen</p>	<p>Papiret har kraftig statisk elektricitet.</p> <p>Rullerne kan ikke opsamle medier og indfører ikke ark.</p>	<p>Prøv at sprede mediet i vifteform eller at anbringe det i en arkopstøder, inden det indføres. Hvis problemet fortsætter, skal du anvende tilstanden Manuel indføring/automatisk skæring.</p>





## SIKKERHED

### Sikkerhed

**DIN OG ANDRES SIKKERHED ER VIGTIG FOR GBC. I DENNE BRUGSVEJLEDNING OG PÅ PRODUKTET FINDER DU VIGTIGE SIKKERHEDSMEDDELELSER. FØR DU INSTALLERER ELLER ANVENDER MASKINEN SKAL DU GRUNDIGT LÆSE OG FØLGE SAMTLIGE SIKKERHEDSFORSKRIFTER I DETTE KAPITEL.**

Overhold samtlige medfølgende sikkerhedsoplysninger. Overhold alle sikkerhedsadvarsler. Fjern aldrig sikkerhedsadvarsler eller andre oplysninger fra udstyret. Læs hele vejledningen, og gem den til fremtidig brug.



Symbolet for sikkerhedsadvarsel er placeret foran samtlige sikkerhedsforskrifter i denne brugsvejledning. Dette symbol angiver en potentiel personlig sikkerhedsrisiko, der kan udsætte dig eller andre for personskade samt forårsage produktbeskadigelse eller andre materielle skader.



Dette symbol for sikkerhedsadvarsel angiver potentiel fare for elektrisk stød. Det advarer dig om ikke at åbne lamineringsmaskinen og derved udsætte dig selv for farlig spænding.

FØLGENDE ADVARSLER SIDDER PÅ FOTON 30-LAMINERINGSMASKINEN.



Må ikke åbnes. Der findes ingen indvendige dele, som brugeren selv kan reparere. Overlad eftersyn og reparation til uddannede teknikere.



**FORSIGTIG** – Varm overflade:  
Lamineringsmaskinens valser kan nå op på temperaturer på over 126,7 °C. Udvis forsigtighed, og rør ikke ved valserne.



**ADVARSEL:** Forsøg ikke selv at udføre eftersyn på eller reparere lamineringsmaskinen.



**ADVARSEL:** Du må ikke slutte lamineringsmaskinen til en elforsyning eller forsøge at betjene den, før du har læst denne vejledning igennem i sin helhed. Opbevar vejledningen et praktisk sted med henblik på fremtidig brug.



**ADVARSEL:** Denne enhed er ikke beregnet til brug i det direkte synsfelt på skærmtterminal-arbejdspladser. For at undgå senere refleksioner ved skærmtterminal-arbejdspladser må denne enhed ikke placeres i det direkte synsfelt.

### Generelle sikkerhedsforanstaltninger

- Brug kun denne lamineringsmaskine til de tilsigtede formål i henhold til specifikationerne i brugsvejledningen.
- Hold hænder, langt hår, løstsiddende tøj og genstande såsom halskæder eller slips på afstand af forsiden af indføringsvalserne for at undgå, at de vikles ind eller sætter sig fast.
- Når døren oven på lamineringsmaskinen åbnes, skal du undgå kontakt med de indvendige valser, hvis lamineringsmaskinen er tændt, eller kort efter at lamineringsmaskinen er blevet slukket. Valserne kan nå op på temperaturer på over 126,7 °C.
- Hold hænder og fingre væk fra funktionsområdet for den skarpe folieskærekniv, der er placeret, hvor folien kommer ud.
- Placer ikke lamineringsmaskinen på et ustabil rullebord, stativ eller bord. Et ustabil underlag kan få lamineringsmaskinen til at vælte og medføre alvorlig personskade. Undgå pludselige stop, overdreven kraftanvendelse og ujævne gulvflader, når lamineringsmaskinen transporteres på et rullebord eller stativ.
- Du må ikke forbiikoble eller fjerne elektrisk eller mekanisk sikkerhedsudstyr såsom aflåsninger, skærme og værn.
- Indfør ikke genstande, der ikke er egnet til laminering.
- Udsæt ikke lamineringsmaskinen for væsker.



**ADVARSEL:** Stikkontakten skal befinde sig i nærheden af udstyret og være lettilgængelig. Anvend ikke forlængerledning.

## Elektriske sikkerhedsforanstaltninger

- Udstyret skal tilsluttes en lettilgængelig og jordet stikkontakt i nærheden af udstyret.
- Denne lamineringsmaskine skal tilsluttes en forsyningsspænding, som svarer til den mærkespænding, der fremgår af fabriktionspladen bag på maskinen.
- Tag lamineringsmaskinens stik ud af stikkontakten, før den flyttes, eller når den ikke skal benyttes i længere tid.
- Betjen ikke lamineringsmaskinen med beskadiget strømledning eller -stik.
- Overbelast ikke stikkontakterne, da dette kan medføre brand eller stød.
- Undlad at udføre ændringer på stikket. Dette stik er konfigureret til den relevante elforsyning.
- Udstyret er udelukkende beregnet til indendørs brug.
- Tag stikket ud af den stikkontakt, det sidder i, og læg netledningen et sikkert sted, mens du flytter lamineringsmaskinen.
- Betjen ikke lamineringsmaskinen med beskadiget strømledning eller -stik, efter en opstået fejlfunktion, eller hvis lamineringsmaskinen er blevet beskadiget. Kontakt en autoriseret GBC-servicerepræsentant for at få hjælp.

## Affald af elektrisk og elektronisk udstyr (WEEE)

Når produktet er slidt op, anses det for at være WEEE. I denne forbindelse er det vigtigt at bemærke følgende: WEEE må ikke bortskaffes sammen med usorteret husholdningsaffald. Det skal indsamles særskilt, så det kan skilles ad med henblik på genanvendelse, genbrug og nyttiggørelse af komponenter og materialer (som brændstof til energiudnyttelse i produktionen af elektricitet).

Kommunerne har etableret offentlige indsamlingssteder til indsamling af WEEE gratis for dig.

Sørg for at returnere WEEE til det indsamlingsanlæg, der ligger tættest på dit hjem eller din arbejdsplads.

Hvis du har problemer med at finde et indsamlingsanlæg, skal den detailforretning, hvor du har købt produktet, tage imod dit WEEE.

Hvis du ikke længere har kontakt med detailforretningen, kan du kontakte ACCO for at få vejledning.

Genanvendelse af WEEE har til formål at beskytte miljøet, beskytte menneskers sundhed, bevare råstoffer, forbedre en bæredygtig udvikling og sikre en bedre råstofforsyning i Den Europæiske Union. Dette skal opnås gennem genvinding af værdifulde sekundære råstoffer og reduktion af bortskaffelse af affald. Du kan bidrage til et nå disse mål ved at returnere WEEE til et indsamlingsanlæg.

Dit produkt er mærket med WEEE-symbolet (skraldespand med et X over). Dette symbol er beregnet til at informere dig om, at WEEE ikke må bortskaffes som usorteret husholdningsaffald.

## Garanti

Denne maskines drift er garanteret i to år fra købsdatoen, på betingelse af at den anvendes under normale betingelser. Inden for garantiperioden vil ACCO efter eget skøn enten reparere eller erstatte den defekte maskine gratis. Defekter forårsaget af misbrug eller brug til upassende formål er ikke dækket af garantien. Der kræves bevis for købsdatoen. Reparationer eller ændringer foretaget af personer, som ikke er autoriseret af ACCO, vil ugyldiggøre garantien. Det er vores mål at sikre, at vores produkters ydeevne lever op til de angivne specifikationer. Denne garanti påvirker ikke juridiske rettigheder, som forbrugere har under gældende national lovgivning vedrørende salg af varer.



<b>Hurtigstartveiledning</b>	<b>100</b>
<b>Kontroller</b>	<b>101</b>
<b>Spesifikasjoner</b>	<b>101</b>
<b>Installasjon</b>	<b>102</b>
<b>Funksjonsveiledning</b>	<b>103</b>
<b>Drift</b>	<b>105</b>
<b>Feilsøking</b>	<b>107</b>
<b>Sikkerhet</b>	<b>109</b>



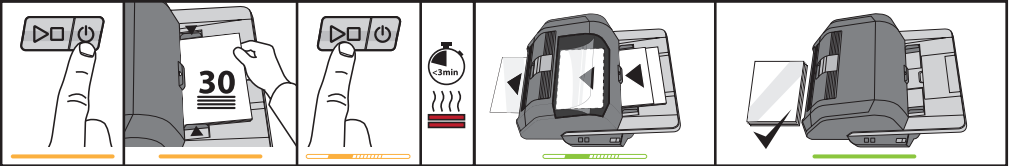
MODE	Feed Cut	
	Auto	Auto
	Manual	Auto

≤120gsm

30

A3/A4

Auto Feed / Auto Cut Mode



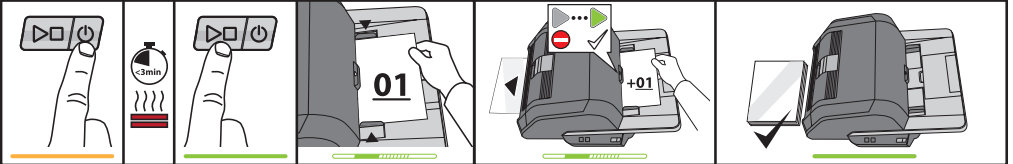
MODE	Feed Cut	
	Auto	Auto
	Manual	Auto

≥120gsm

01

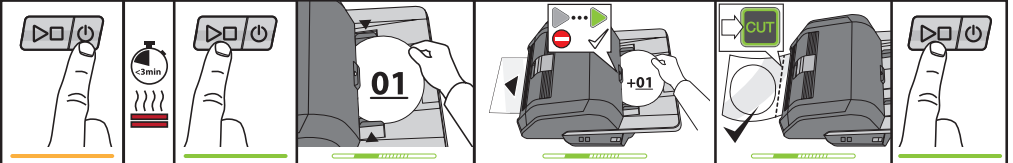
A3/A4

Manual Feed / Auto Cut Mode




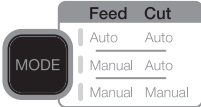


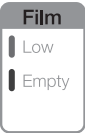

MODE	Feed Cut	
	Auto	Auto
	Manual	Auto

Manual Feed / Manual Cut Mode





## KONTROLLER

 Run/Stop Power	<b>Power:</b> slår på enheten og begynner oppvarmingen. Trykk en gang til for å slå av. <b>Run/Stop:</b> Starter og stopper laminering.
	<b>Mode:</b> Trykk på for å bla gjennom driftsmodi.
 Status	<b>Statusindikator:</b> angir oppvarming, klar, i gang og feilstatuser.
	<b>Klarindikator – manuell arkmating:</b> viser når det er klart til å sette dokumentet inn i de manuelle arkmatermodi.
	<b>Aktiverer kutter:</b> trykk på for å separere dokumenter i modus manuell arkmater / manuell kutting. <b>Viktig! Sjekk at lamineringen er komplett før bruk.</b>
	<b>Filmstatus:</b> <i>Low (lav)</i> tilsier at det er nok film for ca. 30 dokumenter. <i>Empty (tom)</i> tilsier at filmpatronen må skiftes ut for å fortsette.
	<b>Feilstatuser:</b> <i>Door (dør)</i> betyr at en dør ikke er helt lukket. <i>Jam (papirstopp)</i> betyr at et dokument har satt seg fast. <i>Cutter (kutter)</i> betyr at det er en feil ved kutteren

## Service

For å registrere og aktivere garantien, gå til [www.gbceurope.com](http://www.gbceurope.com)

For informasjon om din lokale servicerepresentant, gå til [www.gbceurope.com](http://www.gbceurope.com)



Produkter merket med dette symbolet, overholder alle gjeldende forskrifter for det europeiske økonomiske samarbeidsområdet (EOS).



Laminatoren skal kun brukes innendørs.

## SPESIFIKASJONER

<b>Modell</b>	FOTON 30
<b>Driftshastighet</b>	75 mikron: 700 mm/min 100 mikron: 670 mm/min 125 mikron: 650 mm/min
<b>Driftsmodi</b>	Auto Feed / Auto Cut (automatisk arkinnmating / automatisk kutting) Manual Feed / Auto Cut (manuell arkinnmating / automatisk kutting) Manual Feed / Manual Cut (manuell arkinnmating / manuell kutting)
<b>Oppvarmingstid</b>	75 mikron: 3 minutter 100 mikron: 3,5 minutter 125 mikron: 4 minutter
<b>Maksimal innmatingskapasitet</b>	30 ark (papir på 80 g/m <sup>2</sup> )
<b>Maksimal filmbredde</b>	306mm
<b>Maks. dokumenttykkelse</b>	250 g/m <sup>2</sup> (Manual Feed – manuell arkinnmating)
<b>Dokumentlengder som støttes</b>	Minimum: 152mm Maksimum: 432mm
<b>Dokumentbredder som støttes</b>	Minimum: 127mm Maksimum: 297mm
<b>Medievt for Auto Feed (automatisk arkinnmating)</b>	Høy pålitelighet: 64–120 g/m <sup>2</sup> Variabel pålitelighet: 121–220 g/m <sup>2</sup>
<b>Medievt for Manual Feed (manuell arkinnmating)</b>	64-250g/m <sup>2</sup>
<b>Dimensjoner</b> • Bredde • Høyde • Dybde • Vekt	Maskin 57,7 cm 24,5 cm 47,8 cm 9,5 kg
<b>Automatisk avstenging</b>	Etter 15 minutter med inaktivitet
<b>Elektriske krav</b>	220-240V, 50/60Hz
<b>Sikring</b>	Ja (intern – kan ikke skiftes ut)
<b>Driftsmiljø</b>	5–35 °C Maksimalt høydenivå på 2000 m

## INSTALLASJON

### Service



**ADVARSEL:** Ikke utfør service eller reparasjoner på lamineringsmaskinen. Hvis du ikke tar denne advarselen til følge, kan det føre til alvorlige personskader eller dødsfall.

Koble støpselet fra strømuttaket og ta kontakt med kundeservice hvis ett eller flere av de følgende problemene har oppstått.

- Strømforsyningsledningen eller støpselet er skadet.
- Væske har blitt sølt i lamineringsmaskinen.
- Det har vært et uhell med lamineringsmaskinen og den fungerer ikke som den skal.
- Lamineringsmaskinen fungerer ikke som beskrevet i disse instruksjonene.

### Installasjon

- Skader som har oppstått under frakt må umiddelbart rapporteres til fraktselskapet som leverte maskinen.
- Plasser lamineringsmaskinen på en stabil og flat overflate som kan holde 23 kg.
- Overflaten må ha en høyde på minst 0,75 m for å påse komfortabel driftsposisjon. Alle fire gummiføttene må være i kontakt med overflaten.
- Koble ledningen til en stikkontakt med riktig spenning. Unngå å koble annet utstyr til den samme forgreningskoplingen som lamineringsmaskinen. Dette kan føre til at skillebryteren eller sikringer utløses.
- Lamineringsmaskinen må plasseres slik at laminerte dokumenter lander på en flat overflate. Oppsamling av laminerte dokumenter ved utgangen på maskinen kan forårsake papirstopp.
- Unngå å plassere lamineringsmaskinen nær kulde- eller varmekilder. Unngå å plassere lamineringsmaskinen direkte foran vifter og utløp for varm eller kald luft.

### Vedlikehold av Foton 30

Det eneste vedlikeholdet som må utføres av brukerne er periodisk rengjøring av valsene. Rengjøring av valsene sørger for at de laminerte dokumentene dine ikke skades av oppsamling av skitt eller klebemidler.



**FORSIKTIG:** Den følgende prosedyren utføres mens lamineringsmaskinen er varm. Vær svært forsiktig.



**ADVARSEL:** Ikke bruk rengjørings- eller løsemidler på valsene.



**ADVARSEL:** Ikke bruk film med klebemidler som er merket «Brannfare».



**ADVARSEL:** Ikke utsett lamineringsmaskinen for væsker.

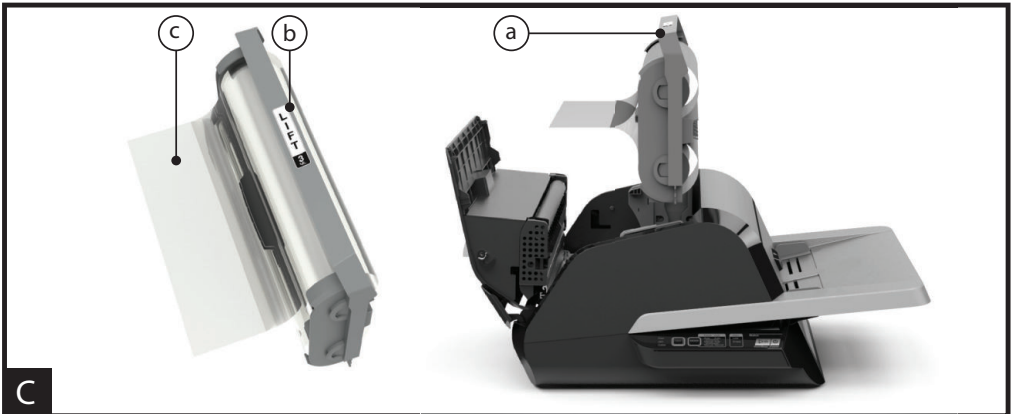
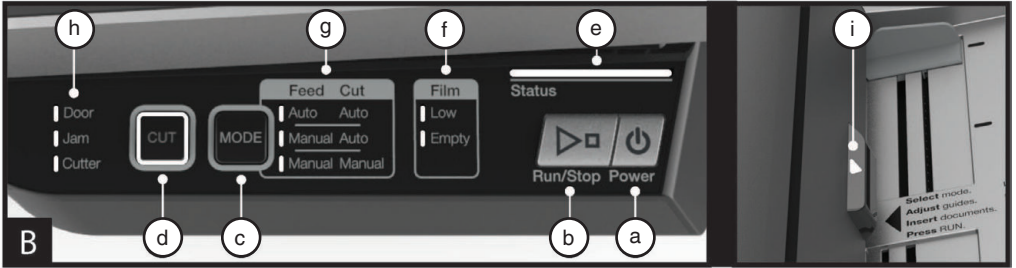
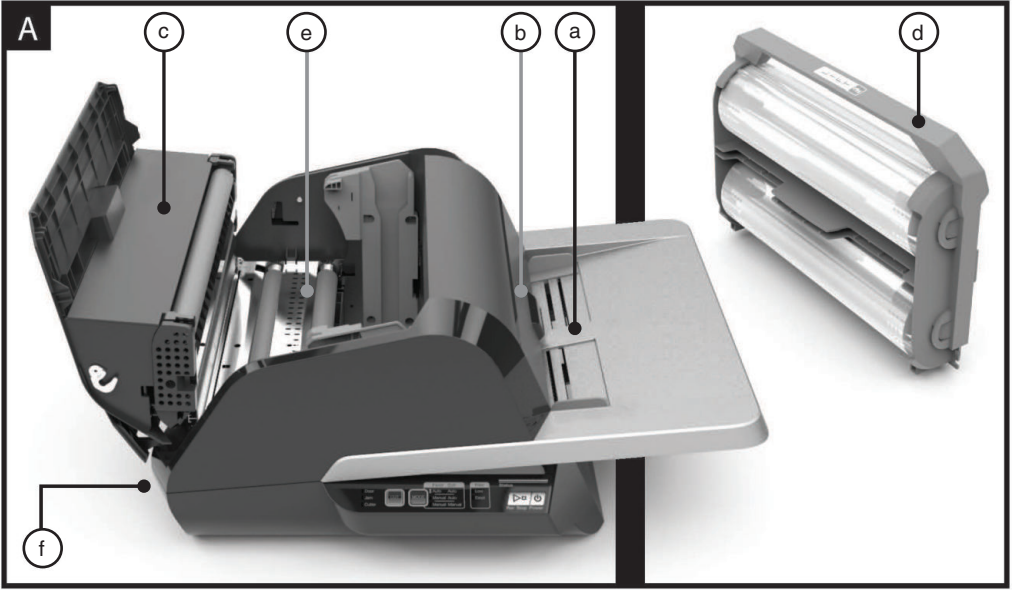
1. Slå på maskinen og vent til den er helt oppvarmet.
2. Åpne lamineringsmaskindøren ved hjelp av det solvfargede håndtaket.
3. Rengjør de øvre valsene med en fuktet, ren og lofri klut. Hvis det er en oppsamling av klebemidler, kan du bruke isopropanol i stedet for vann.
4. Løft den ledende kanten av filmen opp mot håndtaket på patronen.
5. Rengjør de nedre valsene med en fuktet ren og lofri klut. Hvis det er en oppsamling av klebemidler, kan du bruke isopropanol i stedet for vann.
6. Plasser den ledende kanten på filmen i den korrekte posisjonen og lukk døren.
7. Trykk på RUN/STOP-knappen (kjør/stopp) og hold inne knappen i 5–7 sekunder for å kjøre valsene.
8. Åpne lamineringsmaskindøren ved hjelp av det solvfargede håndtaket.
9. Gjenta trinn 3–6.

**Merk:** Ikke bruk stålull til å rengjøre varmevalsene.



**ADVARSEL:** Ikke laminér gjenstander med glitter og/eller metallobjekter. Dette kan skade valsene.

Sidedekslene og innmatingsbrettet kan rengjøres med en lofri klut og et mildt rengjøringsmiddel.



## FUNKSJONSVEILEDNING

### A. FINN UT MER OM LAMINERINGSMASKINEN DIN:

(Vist i bilde A ovenfor)

#### a) INNMATINGSBRETT OG SIDESKINNER:

- i) Plasser dokumentene du skal laminere på innmattingsbrettet og bruk sideskinnene til å minimere skjevhet. Vipp ut forlengelsen for større dokumenter.

#### b) INNMATER/INNMATINGSDØR:

- i) Mater dokumenter inn i lamineringsmaskinen. Et rødt lys på døren angir at det har oppstått en innmattingsfeil. Åpne døren for å rette opp i innmattingsproblemer.

#### c) LAMINERINGSMASKINDØR:

- i) Dør som kan åpnes for å få tilgang til de indre delene i lamineringsmaskinen: valser, filmpatron osv.
- ii) Slik åpner du den: bruk det sølvfargede håndtaket til å løfte opp døren.
- iii) Slik lukker du den: senk den forsiktig med sølvhåndtaket og trykk på det for å feste døren. IKKE trykk lamineringsmaskindøren ned for å lukke den.

#### d) FILMPATRON:

- i) Erstatt filmpatronen når den er tom eller hvis du trenger en annen filmtykkelse. Se «SETT INN FILMPATRONEN» for mer informasjon.

#### e) LAMINERINGSVALSER:

- i) Valsene varmes opp for å aktivere klebemidlet på filmen og bruker trykk for å påse at filmen festes til dokumentet.

#### f) AUTO CUTTER (AUTOMATISK KUTTING):

- i) Når maskinen er satt til modus for Auto Cut (automatisk kutting), registrerer kutteren den fremre og bakre kanten på dokumentet og kutter filmen. Når maskinen er satt til modus for Manual Cut (manuell kutting), kuttet filmen når du trykker på CUT-knappen (kutt).

## B. KONTROLLPANEL:

(Vist i bilde B ovenfor)

### KNAPPER

- a) **POWER** – slår maskinen på/av. Etter 15 minutter uten bruk, slås maskinen av automatisk.
- b) **RUN/STOP** – brukes til å starte og stoppe lamineringsmaskinen.
  - i) Dobbeltfunksjon – manuell fremkjøring: Hold inne knappen for å kjøre valsene fremover. Denne funksjonen kan brukes til å rette opp i blokkeringer og fjerne skitt under rengjøring.
- c) **MODE** – lar brukerne bytte mellom tre driftsmodi.
  - i) Auto Feed / Auto Cut (automatisk arkinnmating / automatisk kutting) – best for standard papirstørrelser skrevet ut på papir på 80–120 g/m<sup>2</sup>.

- ii) Manual Feed / Auto Cut (manuell arkinnmating / automatisk kutting) – best for standard papirstørrelser på tyngre papir som ikke er kompatible med Auto Feed (automatisk arkinnmating).

- iii) Manual Feed / Manual Cut (manuell arkinnmating / manuell kutting) – best for dokumenter med ulike former og dokumenter som ikke er rektangulære.

- d) **CUT** (kutt) – trykk på denne knappen for å kutte gjennom filmen én gang. Denne knappen brukes hovedsakelig i modusen Manual Cut (manuell kutting).

### INDIKATORER

- e) **STATUS** – angir statusen for maskinen:

- i) Solid grønn = klar for bruk

- ii) Grønn blinkende sekvens = kjører

- iii) Solid gul = varmer opp.

- iv) Gul blinkende sekvens = varmer opp, og RUN-kommandoen (kjør) er godtatt. Lamineringen starter når maskinen er klar.

- v) Solid rød = feilstatus

- f) **FILM** – LED-lyset indikerer når det er lite film igjen (ca. 30 % gjenstår) eller patronen er tom.

- i) Lavt = gult LED-lys.

- ii) Tom = rødt LED-lys.

- g) **MODE** (modus) – grønt LED-lys angir hvilken modus maskinen er satt i.

- h) **FEILMELDING** – angir feilmeldinger som må rettes opp i.

- i) **DOOR** (dør): én eller begge dørene er åpne.

- ii) **JAM** (papirstopp): det kan oppstå to typer stopper i maskinen:

1. Lamineringsmaskinstopp: Trykk på og hold inne RUN-knappen (kjør) for å kjøre valsene og fjerne stoppen.
2. Arkinnmatingstopp: åpne innmattingsdøren og fjern papiret.

- iii) **CUTTER** (kutter): kutteren kan ikke fullføre en fullstendig kuttesyklus.

- iv) **INDIKATOR FOR MANUELL ARKINNMATING** – angir når maskinen er klar ved å lyse opp grønt slik at dokumentet kan mates inn manuelt. Er plassert på innmattingsdøren.

### C. FILMPATRON:

(Vist i bilde C ovenfor)

- a) **PATRONEN** – settes inn i lamineringsmaskinen.

- b) **PATRONETIKETT** – angir tykkelsen på filmen. Er plassert på håndtaket.

- c) **FILMENS FREMRE KANT** – den forseglede fremre kanten på filmen. Denne kanten må plasseres vendt mot utgangen av maskinen.





## DRIFT

### DRIFTSMODUSER:

#### AUTO FEED / AUTO CUT (AUTOMATISK ARKINNMATING / AUTOMATISK KUTTING)

**Merk:** Best for dokumenter i standard papirstørrelse skrevet ut på papir på 80–120 g/m<sup>2</sup>.

1. Trykk på POWER-knappen (av/på) for å slå maskinen PÅ. Maskinen starter automatisk i modus for Auto Feed / Auto Cut (automatisk arkinnmating / automatisk kutting).
2. Plasser dokumentene dine i INNMATINGSBRETET.
3. Tilpass sideskinnene slik at de passer for dokumentene og minimerer skjevhet under lamineringen.
4. Trykk på RUN-knappen (kjør):

**Merk:** Hvis du trykker på RUN (kjør) for oppvarmingen av maskinen er fullført, er statusfeltet GULT og blinker i en sekvens. Lamineringsmaskinen har godtatt kommandoen og lamineringen starter automatisk når maskinen når den nødvendige temperaturen.

5. Dokumentene blir automatisk laminert og kuttet automatisk når de kommer ut av maskinen.

**Merk:** Hvis du trykker på STOP (stopp) mens dokumentet fortsatt behandles av lamineringsmaskinen, fullføres lamineringen av dokumentet før du stopper.

#### MANUAL FEED / AUTO CUT (MANUELL ARKINNMATING / AUTOMATISK KUTTING)

**Merk:** Best for standard rektangulære papirstørrelser på tyngre papir som ikke er kompatible med Auto Feed (automatisk arkinnmating).

1. Trykk på POWER-knappen (av/på) for å slå maskinen PÅ.
2. Velg modusen Manual Feed / Auto Cut (manuell arkinnmating / automatisk kutting) ved å trykke på MODE-knappen (modus).
3. Vent til maskinen når den nødvendige temperaturen: statuslyset er grønt.
4. Plasser kun det første dokumentet på innmattingsbrettet. Dokumentet må plasseres midt på innmattingsbrettet og langt nok inn til at dokumentet kan trekkes inn i maskinen.
5. Trykk på RUN-knappen (kjør). Dokumentet mates inn i lamineringsmaskinen.
6. Når lamineringen av det første dokumentet har startet, venter du til indikatoren for manuell arkinnmating lyser grønt. Når indikatoren lyser grønt, kan du mate inn det neste dokumentet manuelt. Gjenta denne prosessen for hvert ark inntil alle dokumentene er laminert.
7. Når lamineringen av det første dokumentet har startet, venter du til indikatoren for manuell arkinnmating lyser grønt. Når indikatoren lyser grønt, kan du mate inn det neste dokumentet manuelt. Gjenta denne prosessen for hvert ark inntil alle dokumentene er laminert.
8. Når det siste dokumentet er laminert og kuttet, stanser maskinen automatisk.

#### MANUAL FEED / MANUAL CUT (MANUELL ARKINNMATING / MANUELL KUTTING)

**Merk:** Denne modusen er best for dokumenter med ulike former og dokumenter som ikke er rektangulære og derfor ikke er kompatible med Auto Feed (automatisk arkinnmating).

1. Trykk på POWER-knappen (av/på) for å slå maskinen PÅ.
2. Velg modusen Manual Feed / Manual Cut (manuell arkinnmating / manuell kutting) ved å trykke på MODE-knappen (modus).
3. Vent til maskinen når den nødvendige temperaturen: statuslyset er grønt.
4. Plasser kun det første dokumentet på innmattingsbrettet. Dokumentet må plasseres midt på innmattingsbrettet og langt nok inn til at dokumentet kan trekkes inn i maskinen.
5. Trykk på RUN-knappen (kjør). Dokumentet mates inn i lamineringsmaskinen.
6. Når lamineringen av det første dokumentet har startet, venter du til indikatoren for manuell arkinnmating lyser grønt. Når indikatoren lyser grønt, kan du mate inn det neste dokumentet manuelt. Gjenta denne prosessen for hvert ark inntil alle dokumentene er laminert.
7. Trykk på CUT-knappen (kutt) for å aktivere kutteren når du vil kutte filmen.

**Merk:** Vi anbefaler at du trykker på CUT-knappen (kutt) når hele dokumentet er kommet ut av maskinen, slik at du unngår å kutte gjennom dokumentet.

8. Når det siste dokumentet har kommet ut av maskinen, trykker du på STOP-knappen (stopp) for å stanse lamineringsprosessen.
9. Når lamineringen har stoppet, trykker du på CUT (kutt) for å kutte den gjenværende filmen som har kommet ut av maskinen.

### SETT INN FILMPATRONEN

(Bilde 1-4 demonstrerer denne prosessen)



**FORSIKTIG:** følgende prosedyre kan utføres mens lamineringsmaskinen er varm. Vær svært forsiktig.

1. Åpne lamineringsmaskindøren: Løft sølvhåndtaket på toppen av maskinen helt opp for å åpne lamineringsmaskindøren.
2. Fjern patronen: Dra patronhåndtaket forsiktig opp for å fjerne patronen.

**FORSIKTIG:** fulle patroner kan være tunge.

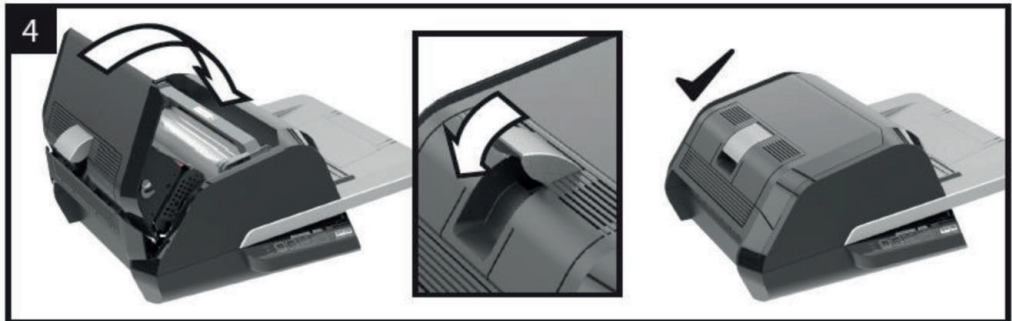
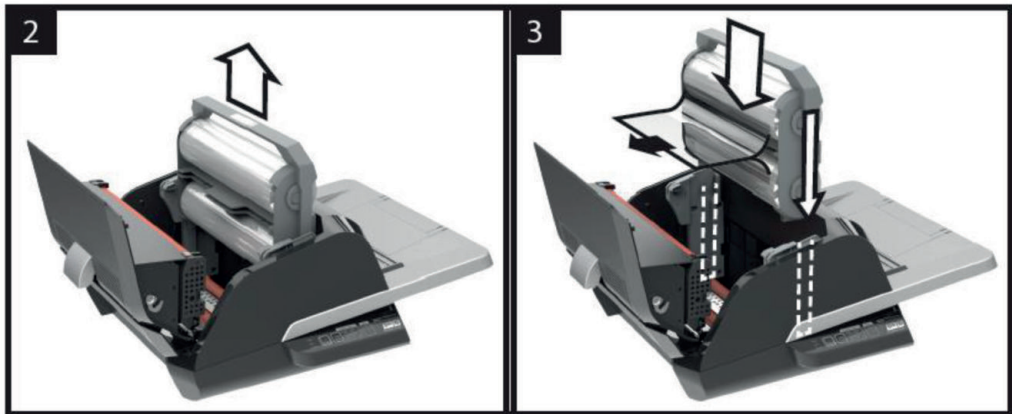
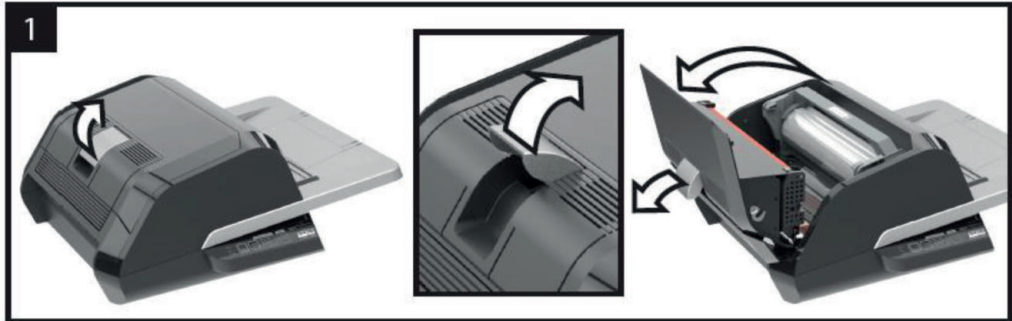
3. Sett inn patronen: Sett inn den nye patronen ved å innrette kantene på patronen etter de grå sporene og senke den.

**Merk:** Patronen må settes inn med den ledende filmkanten rettet mot utgangen på maskinen, bort fra arkinnmateren.

4. Lukk lamineringsmaskindøren: Lukk lamineringsmaskindøren ved å senke døren forsiktig og lukke den ved hjelp av det sølvfargede håndtaket på toppen. IKKE trykk lamineringsmaskindøren ned for å lukke den, bruk håndtaket.

5. Påse at patronen er helt satt inn: Indikatorlyset Film Empty (tom patron) lyser når det ikke er en patron satt inn i maskinen eller patronen ikke er installert på riktig måte.

**Merk:** Når lamineringsmaskinen når nødvendig temperatur, mater maskinen inn ca. 23 cm film gjennom valsene for å fjerne eventuelle rynker i filmen.





## FEILSØKING

SYMPTOM	MULIG ÅRSAK	TILTAK FOR Å RETTE OPP I PROBLEMET
Maskinen slås ikke på når du trykker på Power-knappen.	Strømledningen er kanskje ikke fullstendig satt inn i stikkkontakten.	Sett støpselet helt inn i stikkkontakten. Kontroller at stikkkontakten har strøm.
Statusindikatoren lyser rødt:	Feilindikatoren for Door (dør) lyser rødt:  Indikatoren for Jam (stopp) lyser rødt:  Indikatoren for Film empty (tom patron) lyser rødt:  Feilindikatoren for Cutter (kutter) lyser rødt:	Fjern alt papir fra innmatingsbrettet. Åpne og lukk lamineringsmaskindøren og arkinnmaterdøren. Påse at de er fullstendig lukket.  Fjern alt papir fra innmatingsbrettet. Åpne og lukk arkinnmaterdøren.  Hvis fremgangsmåten ovenfor ikke retter opp i feilen, trykker du på RUN-knappen (kjør) og holder inne knappen i 10 sekunder for å kjøre filmen fremover. Filmene skal begynne å komme ut av maskinen og stoppen skal rettes opp i.  Hvis stoppfeilen ikke rettes opp i, åpner du lamineringsmaskindøren og kontrollerer om den ledende kanten på filmen har satt seg fast i et objekt eller valsene. IKKE KUTT filmen. Løft opp den ledende kanten på filmen og plasser den i korrekt posisjon. Lukk lamineringsmaskindøren og hold inne RUN-knappen (kjør) i 10 sekunder.  Patronetiketten som markerer slutten på rullen er registrert. Sett inn en ny filmpatron og lukk lamineringsmaskindøren.  Trykk på CUT-knappen (kutt) én gang for å prøve å aktivere kutteren. Hvis dette ikke fungerer, prøver du følgende:  Trykk på og hold inne RUN-knappen (kjør) i 10–20 sekunder for å kjøre filmen fremover. Hvis et laminert dokument befinner seg i utgangen på lamineringsmaskinen, holder du inne RUN-knappen (kjør) til dokumentet er helt ute av maskinen. Trykk på CUT-knappen (kutt) for å se om kutteren aktiveres.  Hvis filmen ikke kjører fremover, eller hvis kutteren ikke fungerer etter at du har utført trinnene ovenfor, må du ta kontakt med serviceleverandøren din.
Filmen skrukker seg på dokumentet.	Filmen er feiljustert	Trykk på og hold inne RUN-knappen (kjør) for å kjøre filmen fremover. Når du har kjørt filmen 125–500 mm fremover, bør skrukkene rettes opp i av seg selv. Hvis skrukkene fjernes, trykker du på CUT-knappen (kutt). Maskinen er nå klar til bruk.  Hvis det fortsatt oppstår skrukker, åpner du lamineringsmaskindøren. Grip filmen som kommer ut av lamineringsmaskinen, og hold den stram mens du lukker lamineringsmaskindøren. Gjenta trinnene ovenfor for å fjerne skrukkene.

SYMPTOM	MULIG ÅRSAK	TILTAK FOR Å RETTE OPP I PROBLEMET
<p>Filmkantene overlapper eller er ujevne.</p>	<p>De øvre og nedre filmrullene er ikke korrekt innrettet.</p>	<p>Trykk på og hold inne RUN-knappen (kjør) for å kjøre filmen fremover. Etter at 125 mm av filmen er kjørt fremover, skal filmkantene ligge jevnt inntil hverandre. Hvis filmkantene nå ligger jevnt langs hverandre, trykker du på CUT-knappen (kutt) og er klar til å begynne.</p> <p>Hvis filmkantene fremdeles ikke ligger jevnt, åpner du lamineringsmaskindøren. Grip filmen som kommer ut av lamineringsmaskinen, og hold den stram mens du lukker lamineringsmaskindøren.</p>
<p>Dokumentene er skjeve i filmen når de kommer ut.</p>	<p>Dokumentene er matet inn skjevt.</p>	<p>Før du legger inn papirstabelen kan du prøve å slå den ledende kanten på papiret mot en flat overflate og deretter gjenta dette med den nedre eller øvre kanten for å rette inn papiret.</p> <p>Sett inn dokumentene i innmatingsbrettet og plasserer sideskinnene inntil kanten på dokumentet.</p>
<p>Oppløper gjentatte doble innmatninger</p> <p>Oppløper hyppige feilinnmatninger</p>	<p>Papiret har høy statisk elektrisitet</p> <p>Valsene kan ikke plukke opp mediet og mater ikke inn arkene.</p>	<p>Prøv å vifte mediet eller plasser det i en arkstøtemaskin før du mater det inn. Hvis problemene er vedvarende, bruker du modusen Manual Feed / Auto Cut (manuell arkinnmating / automatisk kutting).</p>



## SIKKERHET

### Sikkerhet

**GBC TAR DIN OG ANDRES SIKKERHET PÅ ALVOR. DU FINNER VIKTIGE SIKKERHETSINSTRUKSJONER I DENNE BRUKSANVISNINGEN OG PÅ SELVE PRODUKTET. FØR DU MONTERER ELLER BRUKER MASKINEN, MÅ DU LESE NØYE OG FØLGE ALLE SIKKERHETSANVISNINGER I DETTE KAPITTELET.**

Følg alle sikkerhetsanvisninger. Følg alle sikkerhetsadvarsler. Fjern aldri sikkerhetsadvarsler eller annen informasjon fra utstyret.

Les alle instruksjonene og ta vare på dem for videre bruk.



Dette sikkerhetssymbolet markerer sikkerhetsinstruksjonene i denne bruksanvisningen. Symbolet angir potensiell fare for personskade for deg og andre, samt fare for skade på produkt eller eiendom.



Dette sikkerhetssymbolet indikerer fare for elektrisk støt. Det advarer deg om å ikke åpne laminatoren da det kan utsette deg for farlig spenning.

FØLGENDE ADVARSLER ER PLASSERT PÅ FOTON 30-LAMINATOREN.



Må ikke åpnes. Inneholder ingen deler som kan repareres av bruker. Service må utføres av kvalifisert personell.



**FORSIKTIG** – varm overflate:  
Lamineringsvalser kan nå temperaturer på over 126,7 °C. Vær forsiktig og ikke rør valsene.



**ADVARSEL:** Ikke utfør service eller reparasjoner på laminatoren.




**ADVARSEL:** Du må ikke koble til laminatoren til en strømforsyning eller forsøke å bruke maskinen før du har lest denne bruksanvisningen i sin helhet. Ta vare på instruksjonene, og oppbevar dem lett tilgjengelig.



**ADVARSEL:** Denne enheten er ikke beregnet for bruk nær dataskjermer. Den blanke overflaten kan gi forstyrrende refleksjoner i dataskjermene, og enheten skal derfor plasseres slik at refleksjoner unngås.

## Generelle sikkerhetshensyn

- Laminatoren skal kun brukes innenfor sitt tiltenkte bruksområde, i henhold til spesifikasjonene som er beskrevet i bruksanvisningen.
  - Hold hender, langt hår, løstsittende klær og gjenstander som smykker eller slips borte fra fronten på materullene, så disse ikke setter seg fast i maskinen.
  - Når døren åpnes på toppen av laminatoren, unngå kontakt med de interne valsene når laminatoren er slått på eller rett etter at laminatoren er blitt slått av. Valsene kan nå temperaturer på over 126,7 °C.
  - Hold hender og fingre borte fra banen til det skarpe filmskjærebladet plassert ved filmutgangen.
  - Ikke plasser laminatoren på en ustabil tralle eller på et ustabil stativ eller bord. En ustabil overflate kan føre til at laminatoren faller, hvilket kan resultere i alvorlig personskade. Unngå bråstopp, overdreven kraft og ujevne gulvflater når du flytter laminatoren på en tralle eller et stativ.
  - Ikke overstyr eller fjern elektriske og mekaniske sikkerhetsanordninger som sperrer, skydd eller vern.
  - Ikke før inn gjenstander som ikke er egnet for laminering.
  - Ikke utsett laminatoren for væsker.
-  **FORSIKTIG:** Stikkontakten må være plassert i nærheten av utstyret og være lett tilgjengelig. Ikke bruk skjøteledning.

## El-sikkerhet

- Utstyret må kobles til et lett tilgjengelig og jordet stikkontakt nær utstyret.
- Laminatoren må kobles til en forsyningspenning som tilsvarer den elektriske klassifiseringen på merkeplaten på baksiden av maskinen.
- Koble laminatoren fra strømuttaket for den flyttes på eller hvis den ikke skal brukes over lengre tid.
- Laminatoren skal ikke brukes dersom strømledningen eller støpselet er skadet.
- Ikke overbelast stikkontakter da dette kan føre til brann eller støt.
- Støpselet må ikke modifiseres. Støpselet er konfigurert til den aktuelle strømforsyningen.
- Enheten er utelukkende beregnet på innendørs bruk.
- Koble støpselet fra stikkontakten den er koblet til, og hold fast i strømledningen når du flytter på laminatoren.
- Laminatoren skal ikke brukes dersom strømledningen eller støpselet er skadet, feil oppdages eller etter at det har oppstått skade på laminatoren. Kontakt en autorisert GBC-servicerepresentant for hjelp.

## Avfall fra elektrisk og elektronisk utstyr (WEEE)

Når produktets levetid er over, anses det som WEEE. Da er det viktig å legge merke til at:

WEEE ikke skal kastes i usortert, kommunalt avfall. Det skal samles inn separat slik at det kan demonteres og bestanddelene og materialene kan resirkuleres, brukes på nytt og gjenvinnes (som drivstoff for energiutvinning i produksjonen av elektrisitet).

Kommunen har gjenvinningsstasjoner der du kan levere WEEE gratis.

Lever WEEE på gjenvinningsstasjonen i nærheten av hjemmet eller kontoret ditt.

Hvis du har problemer med å finne en gjenvinningsstasjon, bør forhandleren som solgte deg produktet, kunne ta imot WEEE.

Hvis du ikke lenger har kontakt med forhandleren, kan du ta kontakt med ACCO for hjelp med dette.

Gjenvinning av WEEE hjelper med å beskytte miljøet, beskytte menneskers helse, bevare råstoff, forbedre bærekraftig utvikling og sikre bedre tilgang til råvarer i Den europeiske union. Dette oppnås ved å gjenvinne verdifulle sekundærråstoffer og redusere disponering av avfall. Du kan bidra til å nå disse målene ved å returnere WEEE til en gjenvinningsstasjon.

Produktet er merket med WEEE-symbolet (søppelbøtte med kryss over). Dette symbolet informerer deg om at WEEE ikke skal kastes i usortert, kommunalt avfall.

## Garanti

Denne maskinen har to års garanti fra kjøpsdato ved normal bruk. Innenfor denne garantiperioden vil ACCO Brands Europe etter eget skjønn vederlagsfritt enten reparere eller erstatte enheter med feil. Feil som oppstår på grunn av feil bruk eller bruk til uegnede formål, dekkes ikke av garantien. Kjøpsbevis må fremlegges. Hvis personer som ikke er autorisert av ACCO Brands Europe foretar reparasjoner eller modifikasjoner på maskinen, oppheves garantien. Det er vårt mål å sørge for at våre produkter er i overensstemmelse med de angitte spesifikasjonene. Denne garantien påvirker ikke forbrukerens juridiske rettigheter i henhold til nasjonal lovgivning for salg av varer.



<b>Pikaopas</b>	<b>112</b>
<b>Ohjaimet</b>	<b>113</b>
<b>Tekniset tiedot</b>	<b>113</b>
<b>Asennus</b>	<b>114</b>
<b>Toiminnot</b>	<b>115</b>
<b>Käyttö</b>	<b>117</b>
<b>Vianmääritys</b>	<b>119</b>
<b>Turvallisuus</b>	<b>121</b>



MODE	Feed Cut	
	Auto	Auto
	Manual	Auto

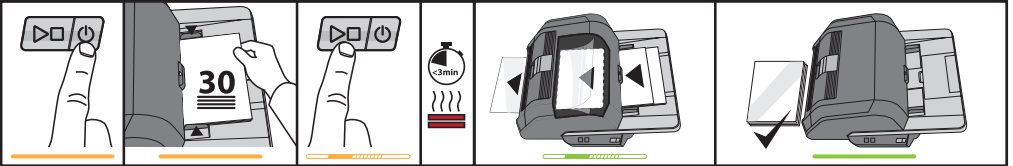
≤120gsm

<

**30**

A3/A4

Auto Feed / Auto Cut Mode



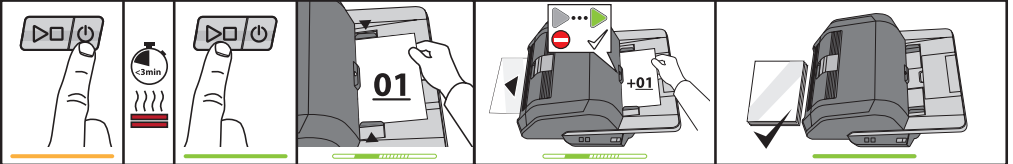
MODE	Feed Cut	
	Auto	Auto
	Manual	Auto

≥120gsm

**01**

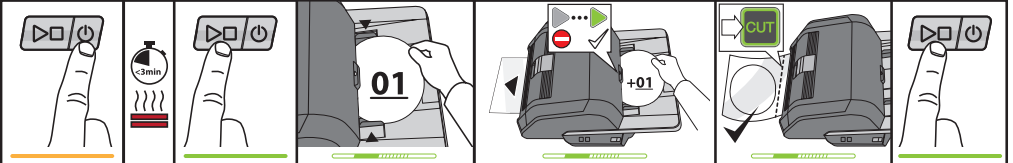
A3/A4

Manual Feed / Auto Cut Mode



MODE	Feed Cut	
	Auto	Auto
	Manual	Auto

Manual Feed / Manual Cut Mode







## OHJAIMET

 Run/Stop Power	<b>Power:</b> Kytkee laitteeseen virran ja aloittaa lämmitysprosessin. Katkaise virta painamalla uudelleen. <b>Run/Stop:</b> käynnistää ja lopettaa laminoinnin.
	<b>Mode:</b> siirry käyttötilasta toiseen painamalla useita kertoja.
	<b>Tilan merkkivalo:</b> tilojen vaihtoehdot ovat lämpeneminen, valmius, käynnissä tai virhe.
	<b>Käsinsyöttövalmiuden merkkivalo:</b> ilmoittaa, milloin asiakirjan voi syöttää käsinsyöttötiloissa.
	<b>Leikkurin aktivointi:</b> painamalla voi irrottaa asiakirjat toisistaan käsinsyötön/käsinkleikkaustilan aikana. <b>Tärkeää! Tarkista ennen käyttöä, että laminointi on valmis.</b>
	<b>Kalvon tila:</b> <i>Low</i> tarkoittaa, että kalvo riittää vielä noin 30 asiakirjaan. <i>Empty</i> tarkoittaa, että kalvokasetti on vaihdettava ennen kuin laminointia voidaan jatkaa.
	<b>Virhetilat:</b> <i>Door</i> tarkoittaa, että luukku on auki. <i>Jam</i> tarkoittaa asiakirjatukosta. <i>Cutter</i> tarkoittaa leikkurin virhettä.

## Huolto

Rekisteröi laite ja aktivoi takuu osoitteessa [www.gbceurope.com](http://www.gbceurope.com)

Lisätietoja paikallisista huoltoedustajista saa osoitteesta [www.gbceurope.com](http://www.gbceurope.com)



Tällä tunnuksella merkityt tuotteet täyttävät kaikki Euroopan talousaluetta koskevat yhteisen säännökset.



Käytä laminointikonetta vain sisätiloissa.

## TEKNISET TIEDOT

<b>Malli</b>	FOTON 30
<b>Toimintanopeus</b>	75 mikronia: 700 mm/min 100 mikronia: 670 mm/min 125 mikronia: 650 mm/min
<b>Toimintatilat</b>	Automaattinen syöttö / automaattinen leikkaus Manuaalinen syöttö / automaattinen leikkaus Manuaalinen syöttö / manuaalinen leikkaus
<b>Lämpenemisaika</b>	75 mikronia: 3 minuuttia 100 mikronia: 3,5 minuuttia 125 mikronia: 4 minuuttia
<b>Suurin syöttökapasiteetti</b>	30 arkkiä (paperi 80 g/m <sup>2</sup> )
<b>Kalvon enimmäisleveys</b>	306mm
<b>Asiakirjan enimmäispaksuus</b>	250 g/m <sup>2</sup> (manuaalinen syöttö)
<b>Tuetut asiakirjojen pituudet</b>	Vähintään: 152 mm Enintään: 432 mm
<b>Tuetut asiakirjojen leveydet</b>	Vähintään: 127 mm Enintään: 297 mm
<b>Materiaalin paino automaattista syöttöä varten</b>	Luotettava toiminta: 64–120 g/m <sup>2</sup> Vaihteleva toiminta: 121–220 g/m <sup>2</sup>
<b>Materiaalin paino manuaalista syöttöä varten</b>	64-250 g/m <sup>2</sup>
<b>Mitat</b>	Kone
• Leveys	57,7 cm
• Korkeus	24,5 cm
• Syvyys	47,8 cm
• Paino	9,5 kg
<b>Automaattinen virrankatkaisu</b>	Jos laitetta ei käytetä 15 minuuttiin
<b>Sähkövaatimukset</b>	220-240V, 50/60Hz
<b>Sulake</b>	Kyllä (sisäinen, ei vaihdettavissa)
<b>Toimintaympäristö</b>	5–35 °C Enimmäiskorkeus 2 000 m

## ASENNUS

### Huolto



**VAROITUS:** Laminointikonetta ei saa yrittää huoltaa tai korjata itse. Tämän varoituksen laiminlyönti voi johtaa vakavaan henkilövahinkoon tai kuolemaan.

Irrota pistoke pistorasiasta ja ota yhteys asiakaspalveluun, jos yksi tai useampi seuraavista tapahtuu:

- Virtajohto tai sen pistoke on vaurioitunut.
- Laminointikoneen sisään on mennyt nestettä.
- Laminointikoneessa on toimintahäiriö virheellisen käsittelyn jälkeen.
- Laminointikone ei toimi näissä ohjeissa kuvatulla tavalla.

### Asennus

- Kuljetusvaurioista on ilmoitettava kuljetusyhtiölle välittömästi.
- Aseta laminointikone tukevalle tasaiselle pinnalle, joka kestää 23 kg painon.
- Pinnan on oltava vähintään 0,75 metrin korkeudella hyvän käyttöasennon varmistamiseksi. Kaikkien neljän kumijalan on oltava tukevalla pinnalla.
- Kytke virtajohto asianmukaiseen virtälähteeseen. Vältä muiden laitteiden liittämistä samaan haarautumspiiriin, johon laminointikone on kytketty, koska se voi aiheuttaa katkaisijan laukeamisen turhaan tai sulakkeiden palamisen.
- Laminointikone on sijoitettava siten, että valmiit kalvot voivat pudota vapaasti tasaiselle pinnalle. Laminoitujen asiakirjojen kasaantuminen laminointikoneen ulostulokohtaan voi aiheuttaa tukoksen.
- Vältä laminointikoneen asettamista lämmön- tai kylmänlähteen lähelle. Vältä laminointikoneen sijoittamista suoraan koneellisen, lämmitetyn tai jäähdytetyn ilman reitille.

### Foton 30:n huolto

Käyttäjän ei tarvitse tehdä muita huoltotoimenpiteitä kuin puhdistaa telat säännöllisesti. Kun telat pidetään puhtaina, koneeseen ei kerry likaa ja liimaa, jotka vahingoittavat valmiita tuotteita.



**HUOMIO:** Seuraava toimenpide suoritetaan, kun laminointikone on kuuma. Ole erittäin varovainen.



**VAROITUS:** Älä käytä puhdistusnesteitä tai liuottimia telojen puhdistukseen.



**VAROITUS:** Älä käytä kalvoja, joiden liima-aineilla on "Syttävä"-varoituserkki.



**VAROITUS:** Älä altista laminointikonetta nesteille.

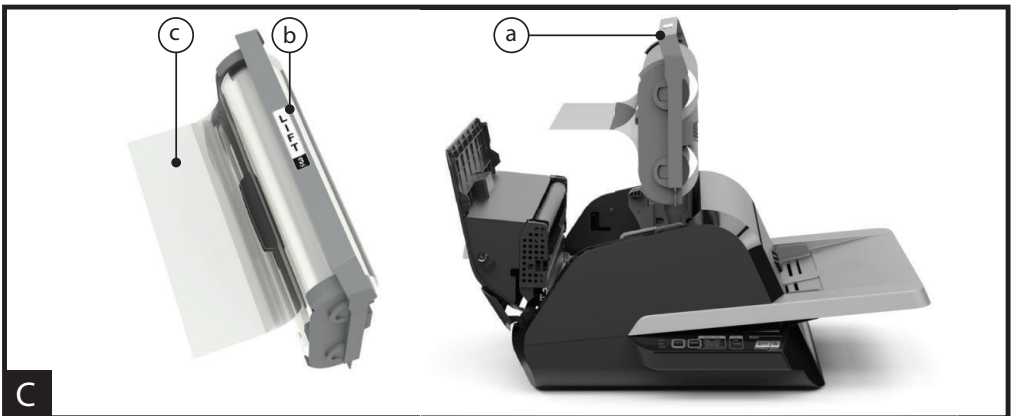
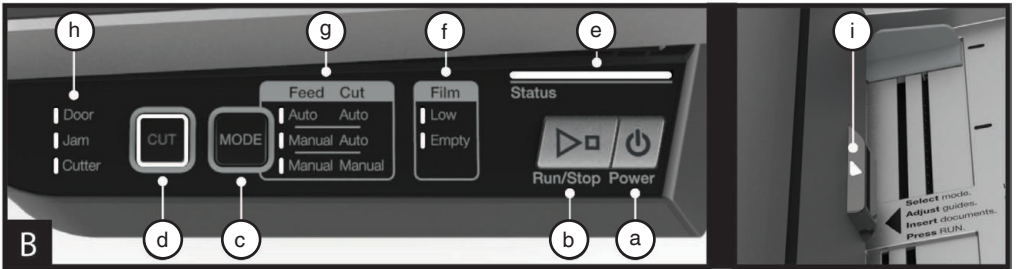
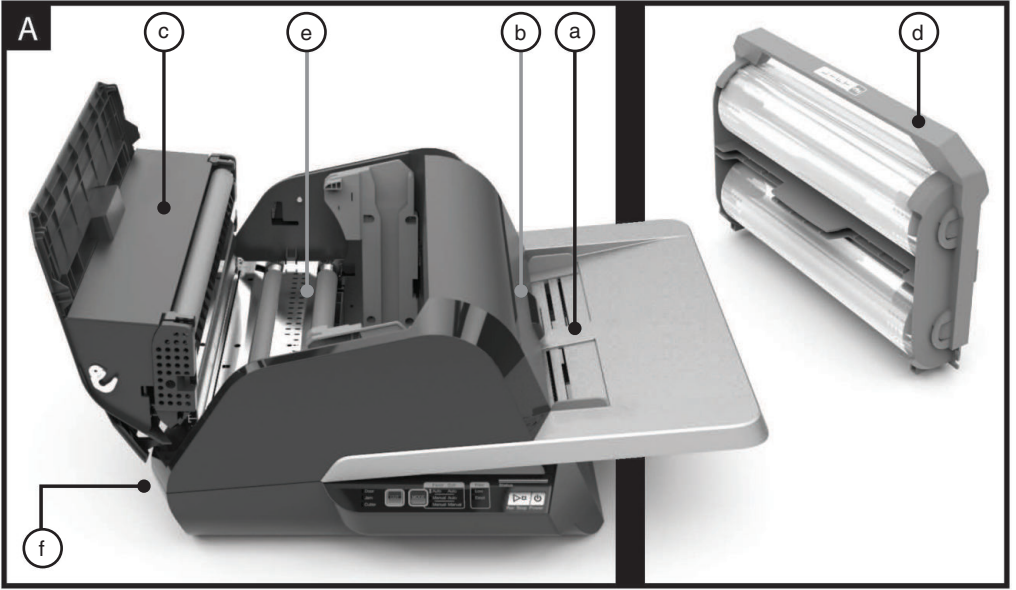
1. Kytke koneen virta päälle ja odota, että se lämpenee kokonaan.
2. Avaa laminointiluukku nostamalla hopeanväristä salpaa.
3. Puhdista ylätelat puhtaalla ja kostealla nukkaamattomalla liinalla. Jos teloihin on kertynyt liimaa, voit käyttää isopropanolia veden sijaan.
4. Nosta kalvon etureunaa ylöspäin kohti kasetin kahvaa.
5. Puhdista alatelat puhtaalla ja kostealla nukkaamattomalla liinalla. Jos teloihin on kertynyt liimaa, voit käyttää isopropanolia veden sijaan.
6. Aseta kalvon etureuna oikeaan asentoon ja sulje luukku.
7. Kierrä teloja eteenpäin pitämällä RUN/STOP (KÄYNNISTÄ/PYSÄYTÄ) -painiketta painettuna 5–7 sekuntia.
8. Avaa laminointiluukku nostamalla hopeanväristä salpaa.
9. Toista vaiheet 3–6.

**Huomaa:** Älä puhdista kuumia teloja teräsvillalla!



**VAROITUS:** Älä laminoi tuotteita, joissa on kimalletta ja/tai metallia. Telat saattavat vaurioitua.

Koneen sivut ja syöttölokero voidaan puhdistaa nukkaamattomalla liinalla ja miedolla pesuainella.



## TOIMINNOT

### A. LAMINOINTIKONEEN TOIMINNOT:

(Katso kuva A yllä)

#### a) SYÖTTÖLOKERO JA SIVUOHJAIMET:

- i) Aseta laminoitavat asiakirjat syöttölokeroon ja pidä ne suorassa sivuohjainten avulla. Ota jatkokappale esiin, jos asiakirjat ovat suuria.

#### b) SYÖTTÖLAITE / SYÖTTÖLAITTEEN LUUKKU:

- i) Syöttää asiakirjat laminointikoneeseen. Jos luukun merkkivalo on punainen, asiakirja on syötetty virheellisesti. Avaa luukku ja poista virheellisesti syötetyt asiakirjat.

#### c) LAMINOINTIKONEEN LUUKKU:

- i) Luukun kautta huolletaan laminointikoneen sisällä olevia osia, kuten teloja ja kalvokasettia.  
ii) Avaa: Nosta luukku nostamalla hopeanväristä salppaa.  
iii) Sulje: Laske varovasti pitämällä kiinni hopeanvärisestä salvasta ja paina salpa kiinni. ÄLÄ sulje laminointikoneen luukku painamalla sitä alas.

#### d) LAMINOINTITELAT:

- i) Vaihda kalvokasetti, kun se on tyhjä tai kun kalvo on vaihdettava paksumpaan tai ohuempaan. Katso lisätiedot kohdasta "KALVOKASETTIN ASENNUS".

#### e) LAMINATORS ROLLERS:

- i) Telojen lämpeneminen aktivoi kalvossa olevan liiman. Kun teloilta painetaan kalvoa, se tarttuu kiinni asiakirjaan.

#### f) AUTOMAATTINEN LEIKKURI:

- i) Kun kone on Auto Cut (Automaattinen leikkaus) -tilassa, leikkuri leikkaa kalvon, kun asiakirjan etu- ja takareuna on havaittu. Manual Cut (Manuaalinen leikkaus) -tilassa kalvo leikataan, kun CUT (LEIKKAUS) -painiketta painetaan.

## B. OHJAUSPANEELI:

(Katso kuva B yllä)

### PAINIKKEET

- a) **POWER (VIRTA)** – Kytkee laitteen virran päälle/pois. Jos konetta ei käytetä 15 minuuttiin, sen virta katkaistaan automaattisesti.
- b) **RUN/STOP (KÄYNNISTÄ/PYSÄYTÄ)** – Käytetään laminointikoneen käynnistämiseen ja pysäyttämiseen.
- i) Rinnakkaistoiminto – manuaalinen kiertö: Laminointiteloja voidaan kiertää pitämällä painiketta painettuna. Toiminnon avulla voidaan poistaa tukoksia ja roskia puhdistuksen aikana.
- c) **MODE (KÄYTTÖTILA)** – Koneessa on kolme käyttötilaa, joita käyttäjä voi vaihtaa.
- i) Auto Feed / Auto Cut (Automaattinen syöttö / Automaattinen leikkaus) – Sopii parhaiten vakiokokoisille asiakirjoille, jotka on tulostettu 80–120 g/m<sup>2</sup>:n paperille.

- ii) Manual Feed / Auto Cut (Manuaalinen syöttö / automaattinen leikkaus) – Sopii parhaiten vakiokokoiselle painavalle paperille, jota ei voida laminoida Auto Feed (Automaattinen syöttö) -toiminnolla.

- iii) Manual Feed / Manual Cut (Manuaalinen syöttö / manuaalinen leikkaus) – Sopii parhaiten epätavallisien muotoisille ja muille kuin suorakulmaisille asiakirjoille.

- d) **CUT (LEIKKAUS)** – Painikkeen painaminen aktivoi leikkurin, joka katkaisee kalvon. Painiketta käytetään pääasiassa Manual Cut (Manuaalinen leikkaus) -tilassa.

### MERKKIVALOT

- e) **STATUS (TILA)** – Ilmaisee koneen tilan:

- i) Vihreä valo palaa = Kone on käyttövalmis.

- ii) Vihreä valo vilkkuu = Käynnissä.

- iii) Oranssi valo palaa = Kone lämpenee.

- iv) Oranssi valo vilkkuu = Kone lämpenee, ja RUN (KÄYNNISTÄ) -komento on hyväksytty. Laminointi alkaa, kun kone on valmis.

- v) Punainen valo palaa = Virhetila.

- f) **FILM (KALVO)** – Merkkivalo ilmaisee, kun kalvo on loppumassa (noin 30 % jäljellä) tai kun kalvokasetti on tyhjä.

- i) Low (Loppumassa) = Oranssi merkkivalo.

- ii) Empty (Tyhjä) = Punainen merkkivalo.

- g) **MODE (KÄYTTÖTILA)** – Vihreä merkkivalo ilmaisee, missä käyttötilassa kone on.

- h) **VIRHEILMOITUS** – Näyttää virheilmoitukset, jotka on selvitettävä.

- i) **DOOR (LUUKKU)**: Yksi luukku tai molemmat luukut ovat auki.

- ii) **JAM (TUKOS)**: Koneessa voi olla kahdenlaisia tukoksia:

1. Laminointikoneen tukos: Kierrä teloja ja poista tukos pitämällä RUN (KÄYNNISTÄ) -painiketta painettuna.

2. Syöttölaitteen tukos: Avaa syöttölaitteen luukku ja poista paperi.

- iii) **CUTTER (LEIKKURI)**: Leikkuri ei voi suorittaa täyttä leikkaussykliä.

- iv) **MANUAALISEN SYÖTÖN MERKKIVALO – VIHREÄ** valo ilmaisee, kun laite on valmis seuraavan asiakirjan manuaaliseen syöttöön. Sijaitsee syöttölaitteen luukussa.

## C. KALVOKASETTI:

(Katso kuva C yllä)

- a) **KASETTI** – Laitetaan laminointikoneeseen.

- b) **KASETTIN MERKKI** – Ilmaisee kalvon paksuuden. Sijaitsee kahvan päällä.

- c) **KALVON ETUREUNA** – Kalvon suljettu etureuna. Reuna on suunnattava koneen ulostulokohtaan.



## KÄYTTÖ

### KÄYTTÖTILAT:

#### AUTO FEED / AUTO CUT (AUTOMAATTINEN SYÖTTÖ / AUTOMAATTINEN LEIKKAUS)

**Huomaa:** Sopii parhaiten vakiokokoisille asiakirjoille, jotka on tulostettu 80–120 g/m<sup>2</sup>:n paperille.

1. Kytke koneen virta PÄÄLLE painamalla POWER (VIRTA) -painiketta. Kone käynnistyy automaattisesti Auto Feed / Auto Cut (Automaattinen syöttö / automaattinen leikkaus) -tilassa.
2. Aseta asiakirjat SYÖTTÖLOKEROON.
3. Siirrä sivuohjaimet asiakirjojen reunoihin, jotta ne pysyvät mahdollisimman suorassa laminoinnin aikana.
4. Paina RUN (KÄYNNISTÄ) -painiketta:

**Huomaa:** Jos RUN (KÄYNNISTÄ) -painiketta painetaan, ennen kuin kone on lämmennyt kokonaan, tilapalkin ORANSSI merkkivalo vilkkuu. Laminoitinkone on hyväksynyt komennon, ja laminointi alkaa automaattisesti, kun kone on saavuttanut oikean lämpötilan.

5. Asiakirjat laminoidaan ja leikataan automaattisesti, kun ne poistuvat koneesta.

**Huomaa:** Jos Stop (Pysäytä) -painiketta painetaan, kun asiakirjaa syötetään vielä laminoitinkoneeseen, kone suorittaa asiakirjan laminoinnin loppuun ennen pysähtymistä.

#### MANUAL FEED / AUTO CUT (MANUAALINEN SYÖTTÖ / AUTOMAATTINEN LEIKKAUS)

**Huomaa:** Sopii parhaiten vakiokokoiselle suorakulmaiselle painavalle paperille, jota ei voida laminoida Auto Feed (Automaattinen syöttö) -toiminnolla.

1. Kytke koneen virta PÄÄLLE painamalla POWER (VIRTA) -painiketta.
2. Valitse Manual Feed / Auto Cut (Manuaalinen syöttö / automaattinen leikkaus) -tila painamalla Mode (Käyttötila) -painiketta.
3. Odota, että laite saavuttaa oikean lämpötilan: tilan merkkivalo palaa vihreänä.
4. Aseta vain ensimmäinen asiakirja syöttölokeroon. Asiakirja on laitettava syöttölokeron keskelle ja riittävän pitkälle syöttölaitteeseen, jotta laite voi ”tarttua” asiakirjaan.
5. Paina RUN (KÄYNNISTÄ) -painiketta. Asiakirja syötetään laminoitinkoneeseen.
6. Kun ensimmäisen asiakirjan laminointi alkaa, odota, että vihreä MANUAL FEED (MANUAALINEN SYÖTTÖ) -merkkivalo syttyy. Kun valo on sytynyt, seuraava asiakirja voidaan syöttää manuaalisesti. Jatka syöttämistä yksi arkki kerrallaan, kunnes työ on valmis.
7. Manuaalisesti syötetyt asiakirjat laminoidaan ja leikataan automaattisesti, kun ne poistuvat koneesta.
8. Kun viimeinen asiakirja on poistunut koneesta ja leikattu, kone pysähtyy automaattisesti.

#### MANUAL FEED / MANUAL CUT (MANUAALINEN SYÖTTÖ / MANUAALINEN LEIKKAUS)

**Huomaa:** Tila sopii parhaiten epätavallisen muotoisille ja muille kuin suorakulmaisille asiakirjoille, joita ei voida laminoida Auto Feed (Automaattinen syöttö) -toiminnolla.

1. Kytke koneen virta PÄÄLLE painamalla POWER (VIRTA) -painiketta.

2. Valitse Manual Feed / Manual Cut (Manuaalinen syöttö / manuaalinen leikkaus) -tila painamalla Mode (Käyttötila) -painiketta.
3. Odota, että laite saavuttaa oikean lämpötilan: tilan merkkivalo palaa vihreänä.
4. Aseta vain ensimmäinen asiakirja syöttölokeroon. Asiakirja on laitettava syöttölokeron keskelle ja riittävän pitkälle syöttölaitteeseen, jotta laite voi ”tarttua” asiakirjaan.
5. Paina RUN (KÄYNNISTÄ) -painiketta. Asiakirja syötetään laminoitinkoneeseen.
6. Kun ensimmäisen asiakirjan laminointi alkaa, odota, että vihreä MANUAL FEED (MANUAALINEN SYÖTTÖ) -merkkivalo syttyy. Kun valo on sytynyt, seuraava asiakirja voidaan syöttää manuaalisesti. Jatka syöttämistä yksi arkki kerrallaan, kunnes työ on valmis.
7. Aktiivoi leikkuri painamalla CUT (LEIKKAUS) -painiketta aina, kun haluat leikata kalvon.

**Huomaa:** CUT (LEIKKAUS) -painiketta kannattaa painaa vasta sitten, kun koko asiakirja on poistunut koneesta. Muuten asiakirja saatetaan leikata liian aikaisin.

8. Kun viimeinen asiakirja on poistunut koneesta, lopeta laminointi painamalla STOP (PYSÄYTÄ) -painiketta.
9. Once lamination has stopped, press CUT to cut the Kun laminointi on lopetettu, leikkaa koneesta tullut ylimääräinen kalvo painamalla CUT (LEIKKAUS) -painiketta.

### KALVOKASETIN ASENNUS

(Vaiheet esitetään kuvissa 1–4)



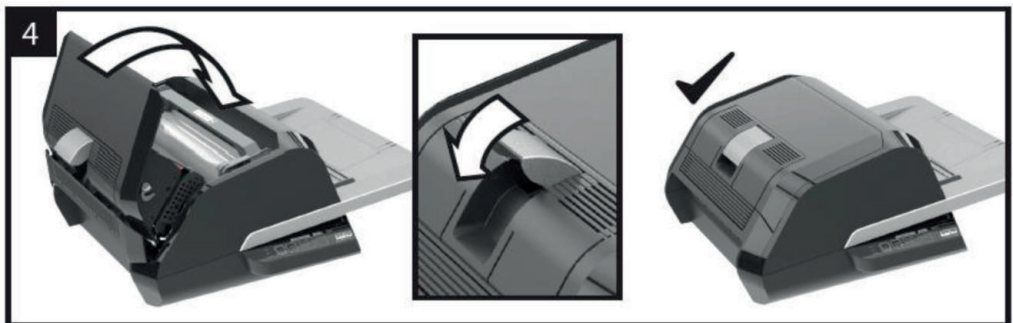
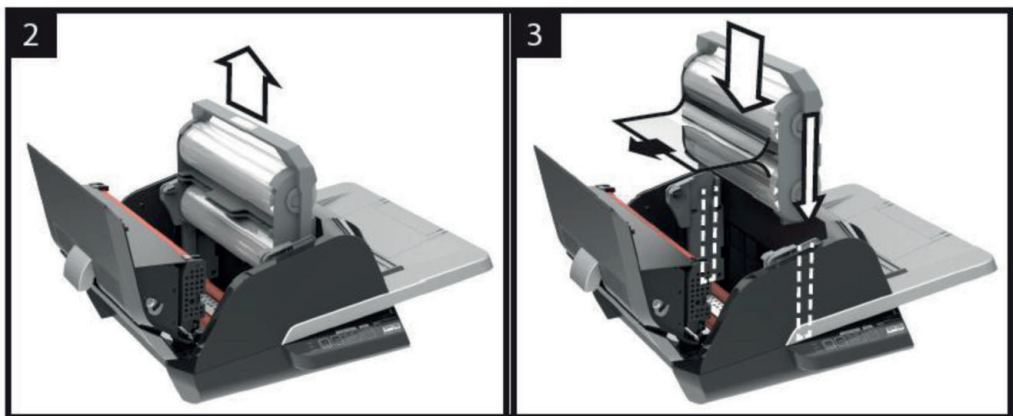
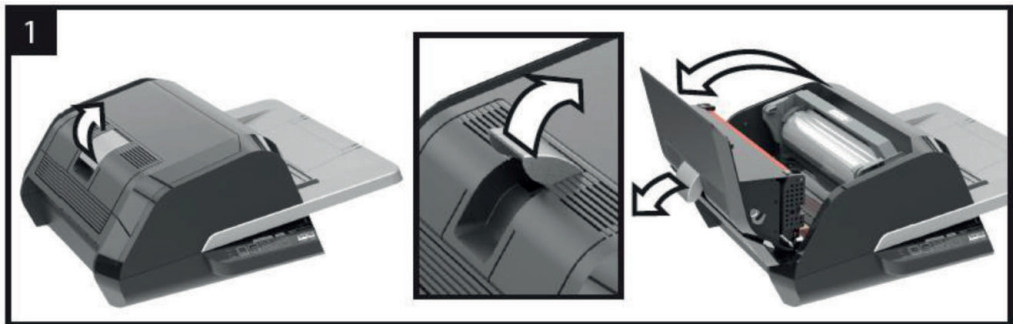
**HUOMIO:** Seuraava toimenpide suoritetaan, kun laminoitinkone on kuuma. Ole erittäin varovainen.

1. Avaa laminoitinkoneen luukku: Avaa laminoitinkoneen luukku nostamalla koneen päällä oleva hopeanvärinen salpa kokonaan ja vetämällä sitä ylöspäin, kunnes luukku aukeaa.
  2. Poista kasetti: Irrota aiemmin asennettu kasetti nostamalla kasetin kahvaa ylöspäin.
- HUOMIO:** Täydetyt kasetit ovat yleensä painavia.
3. Aseta kasetti: Aseta uusi kasetti kohdistamalla kasetin reunat harmaiden ohjainten päälle ja laskemalla kasetti alas.

**Huomaa:** Kasetti on asetettava siten, että kalvon etureuna osoittaa kohti koneen ulostuloa, eli pois syöttölaitteesta.

4. Sulje laminoitinkoneen luukku: Sulje laminoitinkoneen luukku laskemalla sitä varovasti ja sulkemalla sen päällä oleva hopeanvärinen salpa kokonaan. ÄLÄ sulje laminoitinkoneen luukku painamalla sitä alas. Käytä salpaa.
5. Varmista, että kasetti on asetettu kunnolla paikalleen: Film Empty (Kalvo tyhjä) -merkkivalo syttyy, jos kasettia ei ole asennettu tai jos kasetti on asennettu virheellisesti.

**Huomaa:** Kun laminoitinkone saavuttaa oikean lämpötilan, kone syöttää noin 23 cm kalvoa telojen läpi, mikä poistaa kalvossa mahdollisesti olevat rypyt.





## VIANMÄÄRITYS

ONGELMA	MAHDOLLINEN SYY	TOIMENPIDE
Kone ei käynnisty, kun virtapainiketta painetaan.	Virtajohtoa ei ole työnnetty kokonaan pistorasiaan.	Työnnä pistoke kunnolla pistorasiaan. Varmista, että pistorasiassa on virtaa.
Tilan punainen merkkivalo:	Door (Luukku) -virhemerkkivalo on punainen:  Jam (Paperitukos) -merkkivalo on punainen:  Film empty (Tyhjä kalvokasetti) -merkkivalo on punainen :  Cutter (Leikkuri) -virhemerkkivalo on punainen:	Poista paperit syöttölokerosta. Avaa ja sulje sekä laminointikoneen että syöttölaitteen luukut. Varmista, että ne ovat kunnolla kiinni.  Poista paperit syöttölokerosta. Avaa ja sulje syöttölaitteen luukku.  Jos edellä mainittu ei poista virhettä, kuljeta kalvoa eteenpäin pitämällä RUN (KÄYNNISTÄ) -painiketta painettuna 10 sekuntia. Kalvon pitäisi alkaa poistua koneesta, ja tukoksen poistua.  Jos tukosvirhe jatkuu, avaa laminointikoneen luukku ja katso, onko kalvon etureuna juuttunut esteeseen tai teloihin. ÄLÄ LEIKKAA kalvoa. Nosta kalvon etureuna ja aseta se uudelleen oikein. Sulje laminointikoneen luukku ja pidä käynnistyspainiketta painettuna 10 sekuntia.  Kone on havainnut kasetin merkin, joka osoittaa kalvorullan lopun. Vaihda kalvokasetti uuteen ja sulje laminointikoneen luukku.  Yritä aktivoida leikkuri painamalla CUT (LEIKKAUS) -painiketta kerran. Jos se ei auta, kokeile seuraavaa: Kuljeta kalvoa eteenpäin pitämällä RUN (KÄYNNISTÄ) -painiketta painettuna noin 10–20 sekuntia. Jos laminointilaitteen ulostulokohdassa on laminoitu asiakirja, pidä RUN (KÄYNNISTÄ) -painiketta painettuna, kunnes asiakirja on poistunut laminointikoneesta kokonaan. Paina sitten CUT (LEIKKAUS) -painiketta ja katso, onko leikkuri aktivoitunut.  Jos kalvo ei kulje eteenpäin tai jos leikkuri ei toimi edellä mainittujen vaiheiden jälkeen, ota yhteys paikalliseen palveluntarjoajaan.
Laminoidun tuotteen kalvossa on ryppyjä.	Kalvo on kohdistettu väärin.	Kuljeta kalvoa eteenpäin pitämällä RUN (KÄYNNISTÄ) -painiketta painettuna. Kun kalvoa on kuljetettu eteenpäin 125–500 mm, ryppyjen pitäisi poistua itsestään. Jos rypyt poistuvat, paina CUT (LEIKKAUS) -painiketta ja aloita laminointi.  Jos rypyt eivät poistu, avaa laminointikoneen luukku. Tartu laminointikoneesta poistuvaan kalvoon ja jännitä kalvo kireäksi samalla, kun suljet laminointikoneen luukun. Toistettuasi edellä olevan vaiheen ryppyjen pitäisi hävitä.

ONGELMA	MAHDOLLINEN SYY	TOIMENPIDE
Kalvon reunat eivät ole kohdistuneet tasaisesti.	Kalvon ylä- ja alarullia ei ole kohdistettu oikein.	Kuljeta kalvoa eteenpäin pitämällä RUN (KÄYNNISTÄ) -painiketta painettuna. Kun kalvoa on kuljetettu eteenpäin 125 mm, kalvon reunojen tulisi kohdistua tasaisesti. Jos kalvon reunat kohdistuvat nyt tasaisesti, paina CUT (LEIKKAUS) -painiketta ja aloita laminointi.  Jos kalvon reunat eivät kohdistu vieläkkään tasaisesti, avaa laminointikoneen luukku. Tartu laminointikoneesta poistuvaan kalvoon ja jännitä kalvo kireäksi samalla, kun suljet laminointikoneen luukun.
Asiakirjat ovat vinossa kalvon välissä, kun ne poistuvat koneesta.	Asiakirjat syötetään vinossa.	Ennen kuin lisää paperipinon, kokeile napauttaa pinon etureunaa tasaiseen pintaan ja toista sama sitten ala- tai yläreunalle, jotta paperit ovat suorassa.  Aseta materiaali syöttölokeroon ja aseta sivuohjaimet materiaalin reunojen mukaisesti.
Asiakirjoja syötetään samanaikaisesti.  Syöttöhäiriöitä tapahtuu usein.	Asiakirjassa on paljon staattista sähköä.  Telat eivät voi poimia materiaalia ja syöttää arkkeja.	Kokeile heilutella materiaalia tai aseta paperin oikaisulaite syöttölaitteen edelle. Jos ongelmat jatkuvat, käytä Manual Feed /Auto Cut (Manuaalinen syöttö / automaattinen leikkaus) -tilaa.





## TURVALLISUUS

### Turvallisuus

**KÄYTTÄJIEN JA SIVULLISTEN TURVALLISUUS ON TÄRKEÄÄ GBC:LLE. TÄSSÄ KÄYTTÖOPPAASSA JA TUOTTEESSA ON TÄRKEITÄ TURVALLISUUSHUOMAUTUKSIA. LUE KAIKKI TÄMÄN LUVUN TURVALLISUUSILMOITUKSET HUOLELLISESTI ENNEN LAITTEEN ASENNUSTA TAI KÄYTTÖÄ JA NOUDATA NIISSÄ ANNETTUJA OHJEITA.**

Toimi kaikkien annettujen turvallisuustietojen mukaisesti. Noudata kaikkia turvallisuuteen liittyviä varoituksia. Älä poista turvallisuuteen liittyviä varoituksia tai muita tietoja laitteesta.

Lue kaikki ohjeet ja säilytä ne myöhempää käyttöä varten.



Kaikki tämän oppaan turvallisuusilmoitukset on merkitty varoitussymbolilla. Symboli ilmaisee mahdollisen vaaran, josta voi aiheutua vahinkoa käyttäjälle, muille ihmisille, tuotteelle tai omaisuudelle.



Tämä varoitussymboli ilmaisee sähköiskuvaaran. Se varoittaa käyttäjää avaamasta laminointikoneetta, koska tällöin käyttäjä altistuu vaaralliselle jännitteelle.

SEURAAVAT VAROITUKSET ON MERKITY FOTON 30 -LAMINOINTIKONEESEEN.



Ei saa avata. Sisällä ei ole käyttäjän huollettavia osia. Vie laite tarvittaessa pätevän asentajan korjattavaksi.



**HUOMIO** – kuuma pinta: Laminointikoneen rullien lämpötila voi olla yli 126,7 °C. Ole varovainen äläkä koske rulliin.



**VAROITUS:** Laminointikoneetta ei saa yrittää huoltaa tai korjata itse.



**VAROITUS:** Älä kytke laminointikoneetta virtalähteeseen tai yritä käyttää laminointikoneetta, ennen kuin olet lukenut nämä ohjeet kokonaan. Säilytä nämä ohjeet paikassa, josta ne ovat tarvittaessa helposti saatavissa.



**VAROITUS:** Tätä laitetta ei ole tarkoitettu käytettäväksi näyttölaitteita työssään käyttävien henkilöiden näkökentässä. Jotta vältetään häiritsevät heijastukset näyttölaitteisiin työpaikoilla, tätä laitetta ei saa sijoittaa suoraan näkökenttään.

### Yleiset varotoimet

- Käytä laminointikoneetta vain sen alkuperäisiin käyttötarkoituksiin käyttöohjeissa esitettyjen tietojen mukaisesti.
- Vältä kiinnitakertuminen pitämällä kädet, pitkät hiukset sekä löysät vaatteet ja esineet, kuten kaulakorut tai solmiot, pois syöttöruullien luota.
- Kun avaat laminointikoneen päällä olevan luukun, älä kosketa koneen sisällä olevia rullia laminointikoneen virran ollessa kytkettynä tai pian sen jälkeen, kun laminointikoneen virta on katkaistu. Rullien lämpötila voi olla yli 126,7 °C.
- Pidä kädet ja sormet etäällä valmiin kalvon poistoaukon luona olevasta kalvon leikkurin terästä.
- Älä aseta laminointikoneetta epävakaaalle vaunulle, telineelle tai pöydälle. Laminointikone voi pudota epävakaaalta alustalta ja aiheuttaa vakavan henkilövahingon. Vältä äkinäisiä pysähdyksiä, liiallista voimaa ja epätasaisia lattiaita, kun laminointikoneetta siirretään vaunun tai telineen avulla.
- Älä ohita tai poista sähköisiä tai mekaanisia turvalaitteita, kuten lukkoja tai suojuksia.
- Älä aseta koneeseen esineitä, jotka eivät sovellu laminoitavaksi.
- Älä altista laminointikoneetta nesteille.



**HUOMIO:** Pistorasian on sijaittava lähellä laitetta, ja siihen on oltava esteetön pääsy. Älä käytä laitteessa jatkojohtoa.

## Sähköturvatoimet

- Laite on kytkettävä sen lähellä olevaan maadoitettuun pistorasiaan, johon on helppo pääsy.
- Laminointikone on kytkettävä virtalähteeseen, jonka jännite vastaa koneen takaosassa olevan sarjanumerokilven jännitemerkintää.
- Irrtoa laminointikone virtalähteestä ennen sen siirtämistä tai kun sitä ei käytetä pitkään aikaan.
- Älä käytä laminointikonetta, jos sen virtajohto tai pistotulppa on vaurioitunut.
- Älä ylikuormita pistorasioita, sillä se voi aiheuttaa tulipalon tai sähköiskun.
- Pistotulppaa ei saa muuttaa. Tämän pistotulpan rakenne on aiotun virtalähteen mukainen.
- Laite on tarkoitettu vain sisäkäyttöön.
- Irrtoa pistotulppa pistorasiasta, johon se on kytketty, ja pidä virtajohtosta kiinni laminointikonetta siirrettäessä.
- Älä käytä laminointikonetta, jos siinä on toimintahäiriö tai jos laminointikone, virtajohto tai pistotulppa on vaurioitunut. Ota yhteys valtuutettuun GBC-huoltoon, jos tarvitset apua.

## Sähkö- ja elektroniikkalaiteromu

Tuote katsotaan sähkö- ja elektroniikkalaiteromuksi sen käyttöiän päätyttyä. Siksi on tärkeää muistaa seuraavat:

Sähkö- ja elektroniikkalaiteromu täytyy loppukäsitellä erillään lajittelemattomista yhdyskuntajätteistä. Sähkö- ja elektroniikkalaiteromu on kerättävä erikseen, jotta se voidaan purkaa ja sen osat ja materiaalit voidaan kierrättää, käyttää uudelleen ja hyödyntää (polttoaineena energian hyödyntämiseen sähköntuotannossa).

Kunnat ovat järjestäneet yleisiä sähkö- ja elektroniikkalaiteromun keräyspisteitä, joiden käyttö on maksutonta.

Palauta sähkö- ja elektroniikkalaiteromu kotia tai työpaikkaa lähinnä olevaan keräyspisteeseen.

Jos sinulla on vaikeuksia löytää keräyspistettä, tuotteen myyneen vähittäiskaupan on vastaanotettava sähkö- ja elektroniikkalaiteromu.

Jos et ole enää yhteydessä vähittäiskauppaan, ota yhteys ACCO-yhtiöön tässä asiassa.

Sähkö- ja elektroniikkalaiteromun kierrätyksen tarkoituksena on suojella ympäristöä ja ihmisten terveyttä, säilyttää raaka-aineita, parantaa kestävää kehitystä ja varmistaa hyödykkeiden parempi saatavuus Euroopan unionissa. Tavoitteeseen päästään noutamalla arvokkaita toisioraaka-aineita ja vähentämällä loppukäsittelyyn tulevan jätteen määrää. Voit vaikuttaa näiden tavoitteiden onnistumiseen palauttamalla sähkö- ja elektroniikkalaiteromusi keräyspisteeseen.

Tuotteessa on sähkö- ja elektroniikkalaiteromun merkitsemiseen käytetty tunnus (jätessäiliö, jonka päällä on X-merkintä). Tämä tunnus kertoo, että sähkö- ja elektroniikkalaiteromua ei saa loppukäsitellä yhdessä lajittelemattoman yhdyskuntajätteen kanssa.

## Takuu

Laitteella on normaalikäytössä kahden vuoden takuu ostopäivästä lukien sen toiminnan osalta. Tänä takuuajana ACCO Brands Europe harkintansa mukaan joko korjaa tai vaihtaa viallisen laitteen veloitusetta. Takuu ei kata virheellisestä tai asiattomasta käytöstä aiheutuneita vikoja. Ostotodistus on esitettävä. Jos laitetta korjaa tai muuttaa muu kuin ACCO Brands European valtuuttama henkilö, takuu raukeaa. Tavoitteemme on varmistaa, että tuotteemme toimivat ohjeissa kuvatulla tavalla. Tämä takuu ei vaikuta lakisääteisiin oikeuksiin, joita kuluttajilla on eri maissa sovellettavan kansallisen lainsäädännön nojalla ja joiden alaisuudessa tavaroiden myynti tapahtuu.



ACCO UK Limited  
Oxford House  
Aylesbury HP21 8SZ  
United Kingdom

[www.accobrands.com](http://www.accobrands.com)